

[54] TOY LOCOMOTIVE OR THE LIKE
 [75] Inventor: Donald L. Greenwood, Longmont, Colo.
 [73] Assignee: Dart Industries Inc., Los Angeles, Calif.
 [**] Term: 14 Years
 [21] Appl. No.: 901,961
 [22] Filed: May 1, 1978
 [51] Int. Cl. D21-01
 [52] U.S. Cl. D21/129
 [58] Field of Search 46/216, 217, 218; D21/129, 149

3,528,193 9/1970 Yamakawa 46/217

OTHER PUBLICATIONS

Spiegel Catalog, Xmas 1976, p. 268, Toy Locomotive in "Town 'n Country" Set.

Primary Examiner—Joel Stearman
Assistant Examiner—Charles A. Rademaker
Attorney, Agent, or Firm—Leigh B. Taylor

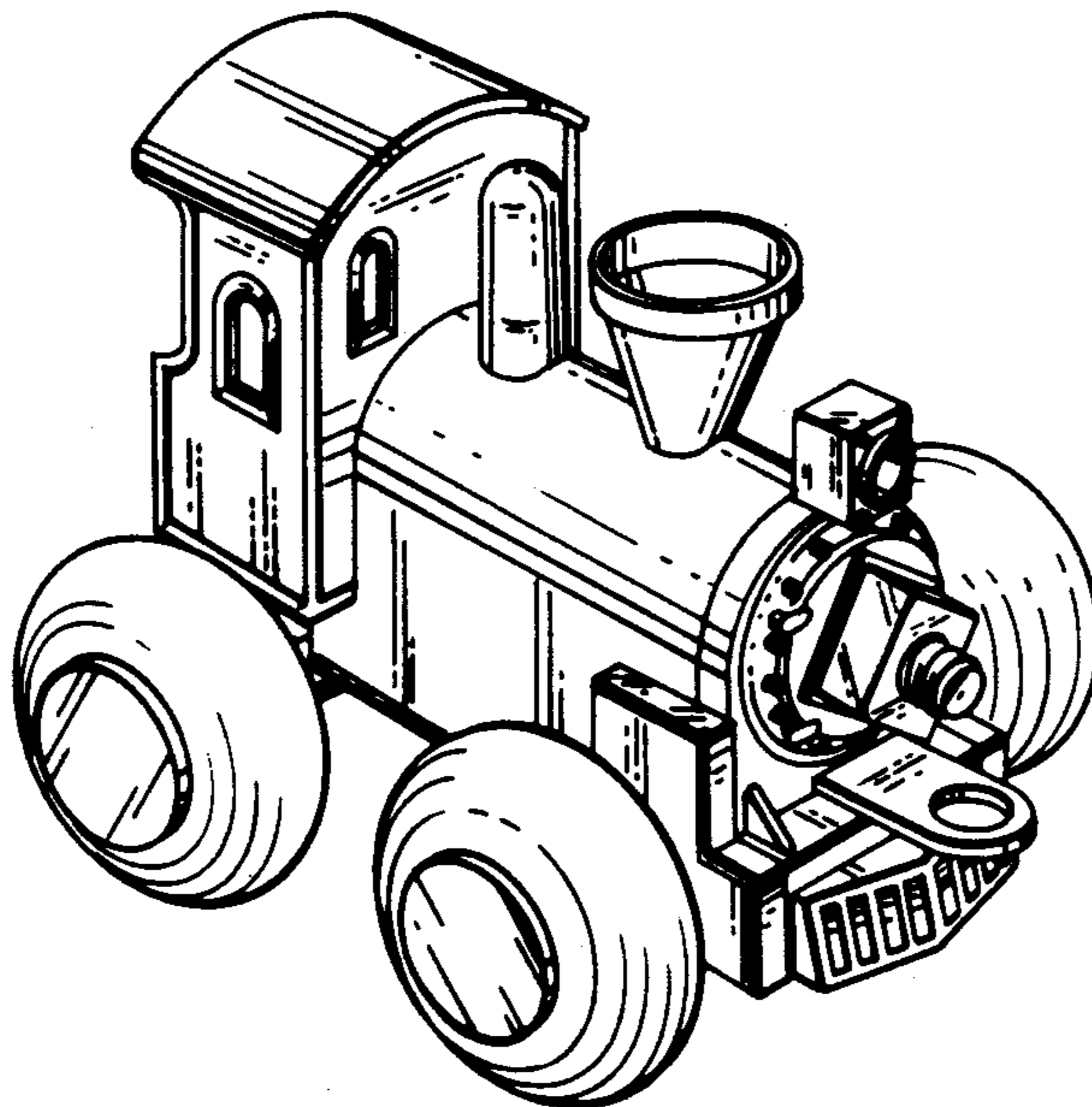
[57] CLAIM

The ornamental design for a toy locomotive or the like, substantially as shown.

DESCRIPTION

FIG. 1 is a perspective view of a toy locomotive or the like showing my new design;
 FIG. 2 is a front elevational view thereof;
 FIG. 3 is a side elevational view thereof;
 FIG. 4 is a rear elevational view thereof;
 FIG. 5 is a top plan view thereof; and
 FIG. 6 is a bottom plan view thereof.

[56] References Cited
 U.S. PATENT DOCUMENTS
 D. 210,841 4/1968 Genin D21/129
 D. 221,163 7/1971 Tong D21/129
 D. 222,373 10/1971 Ichiro D21/129



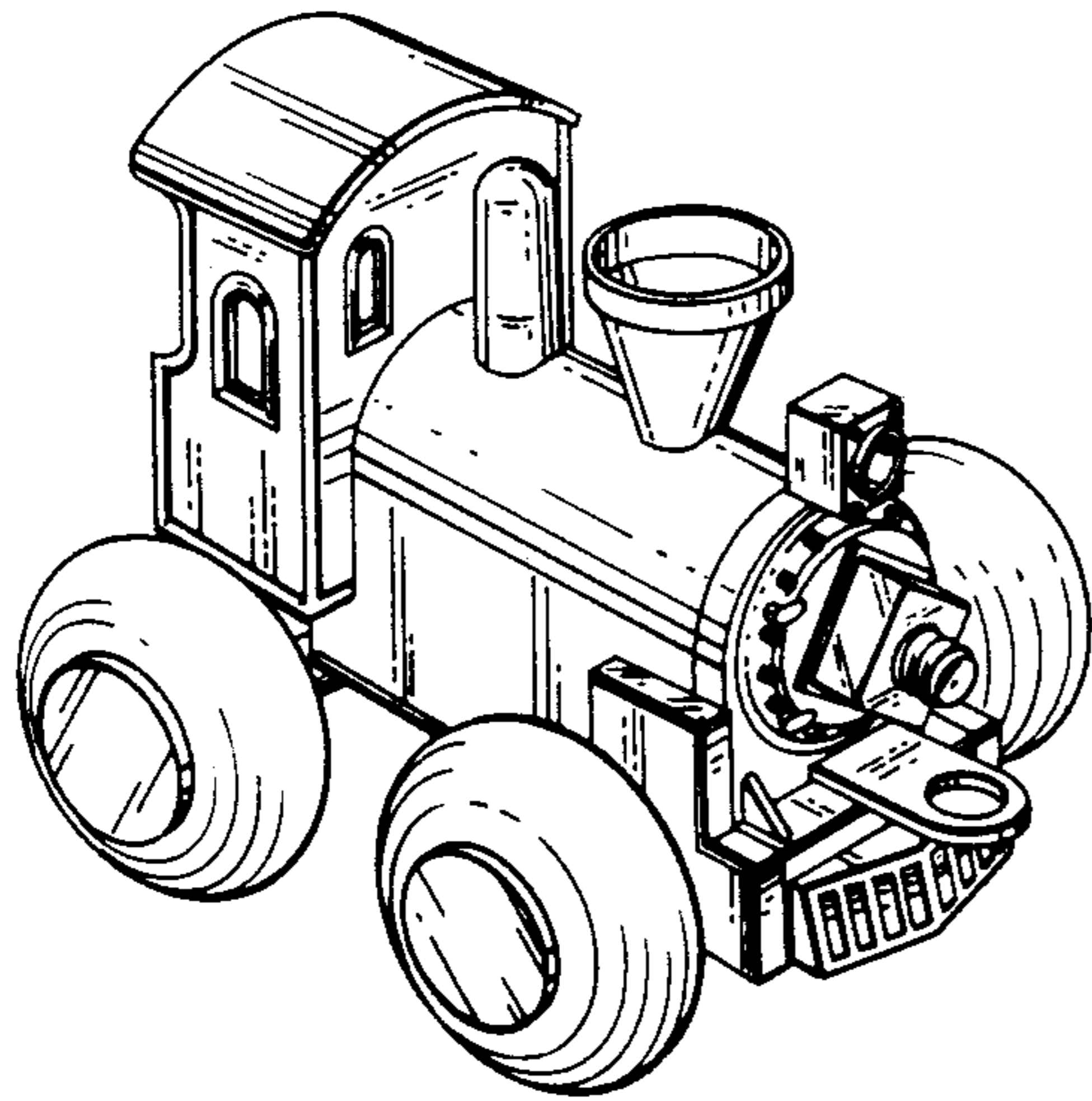


FIG. 1

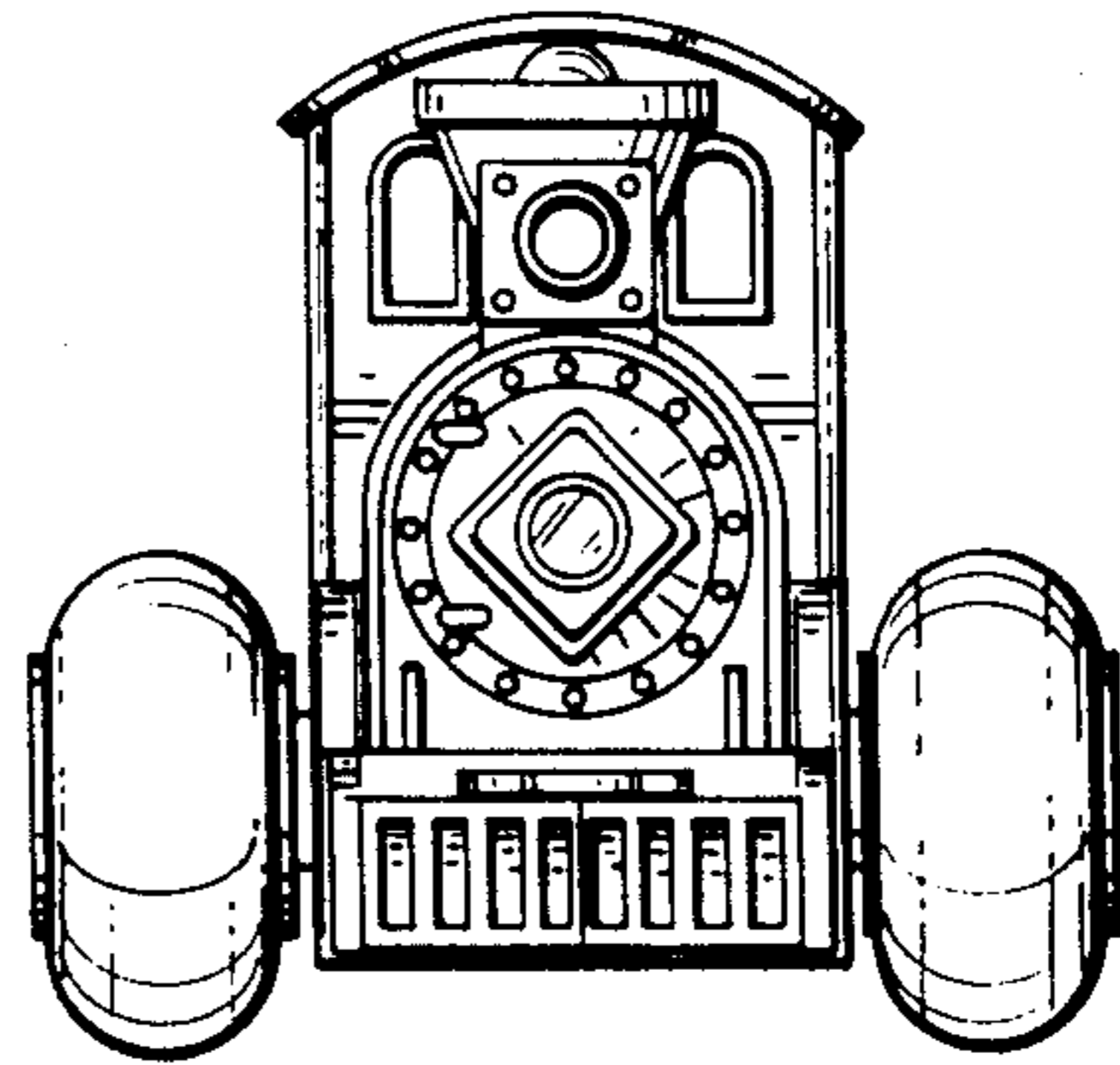


FIG. 2

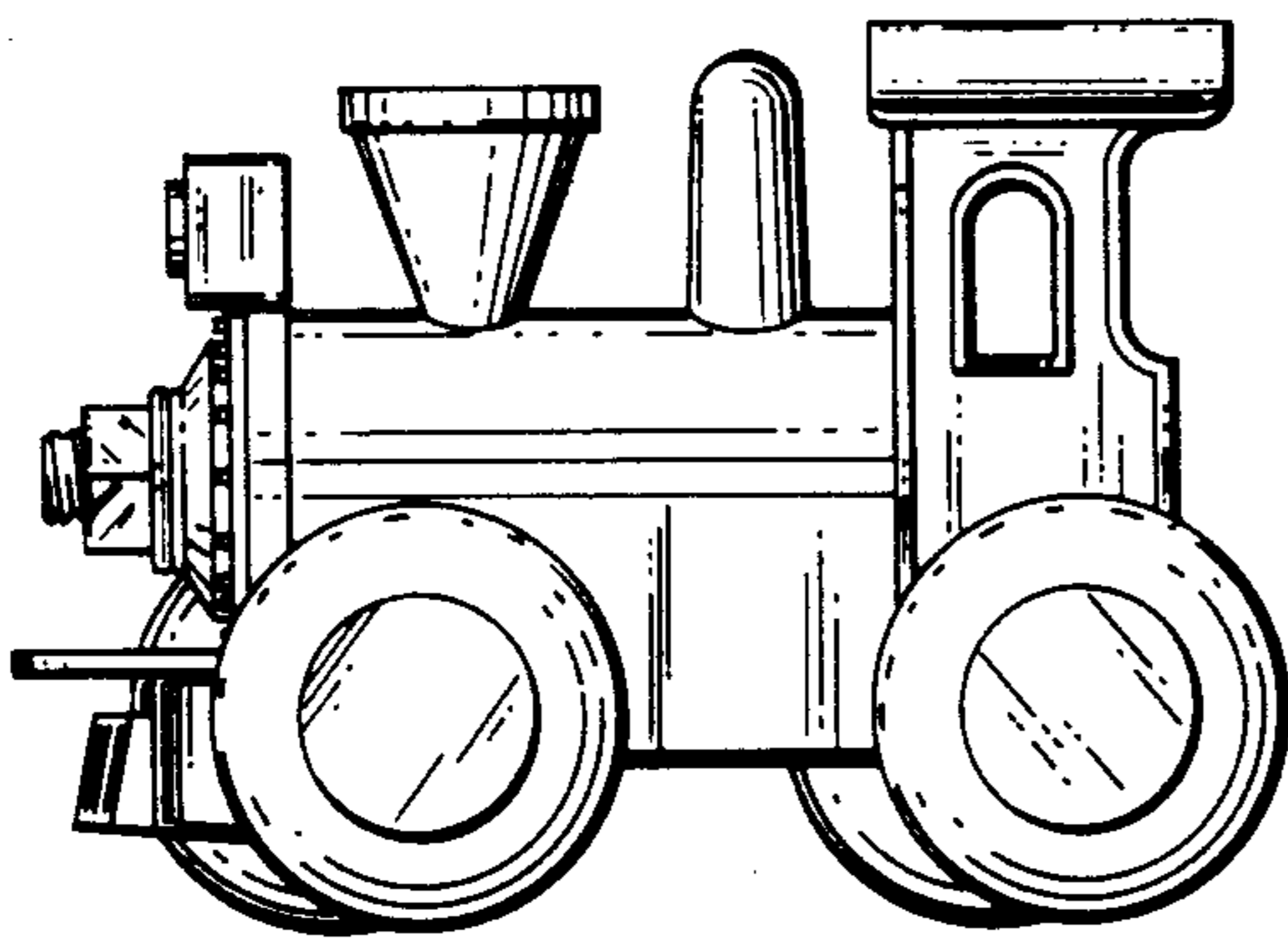


FIG. 3

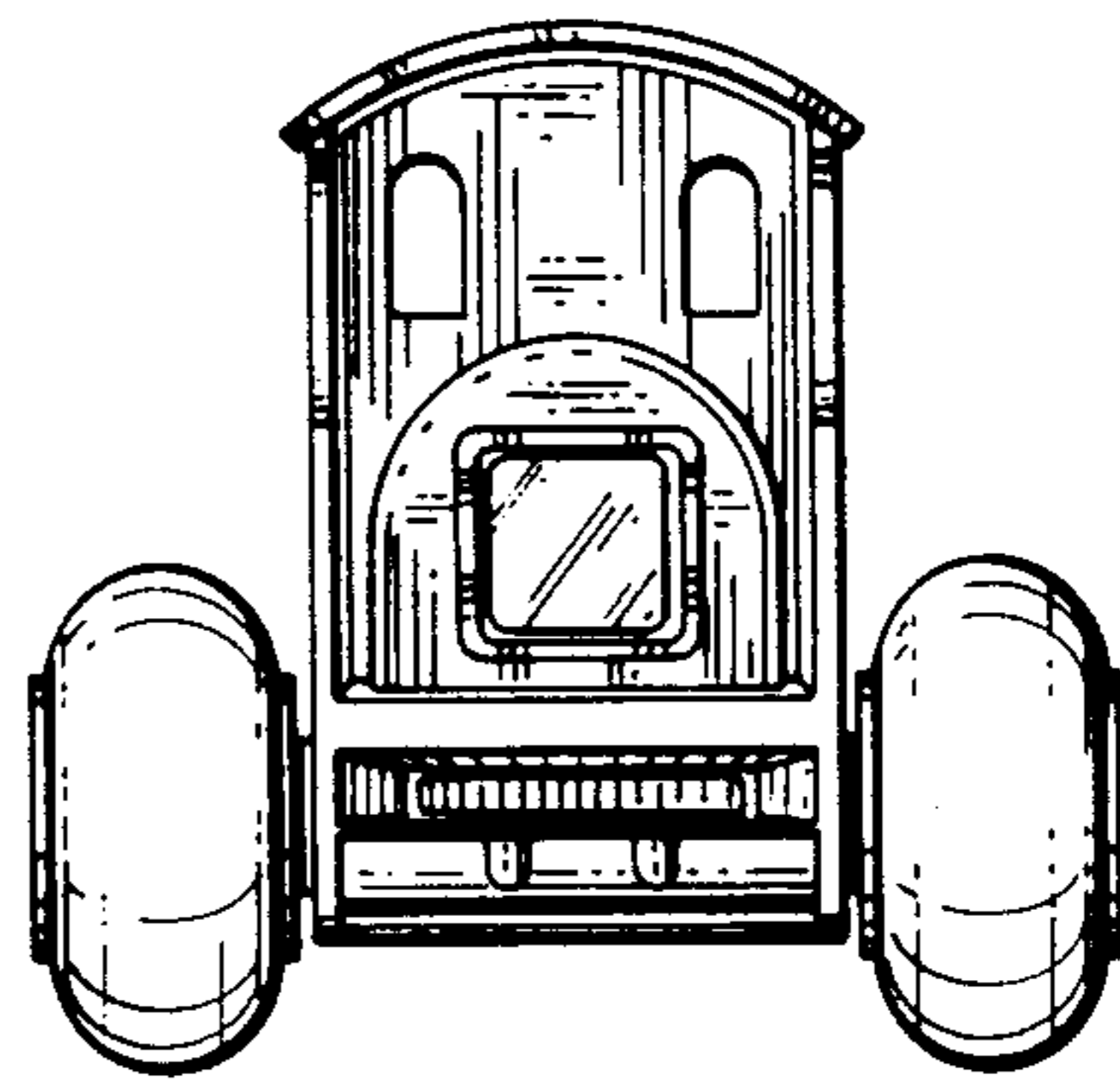


FIG. 4

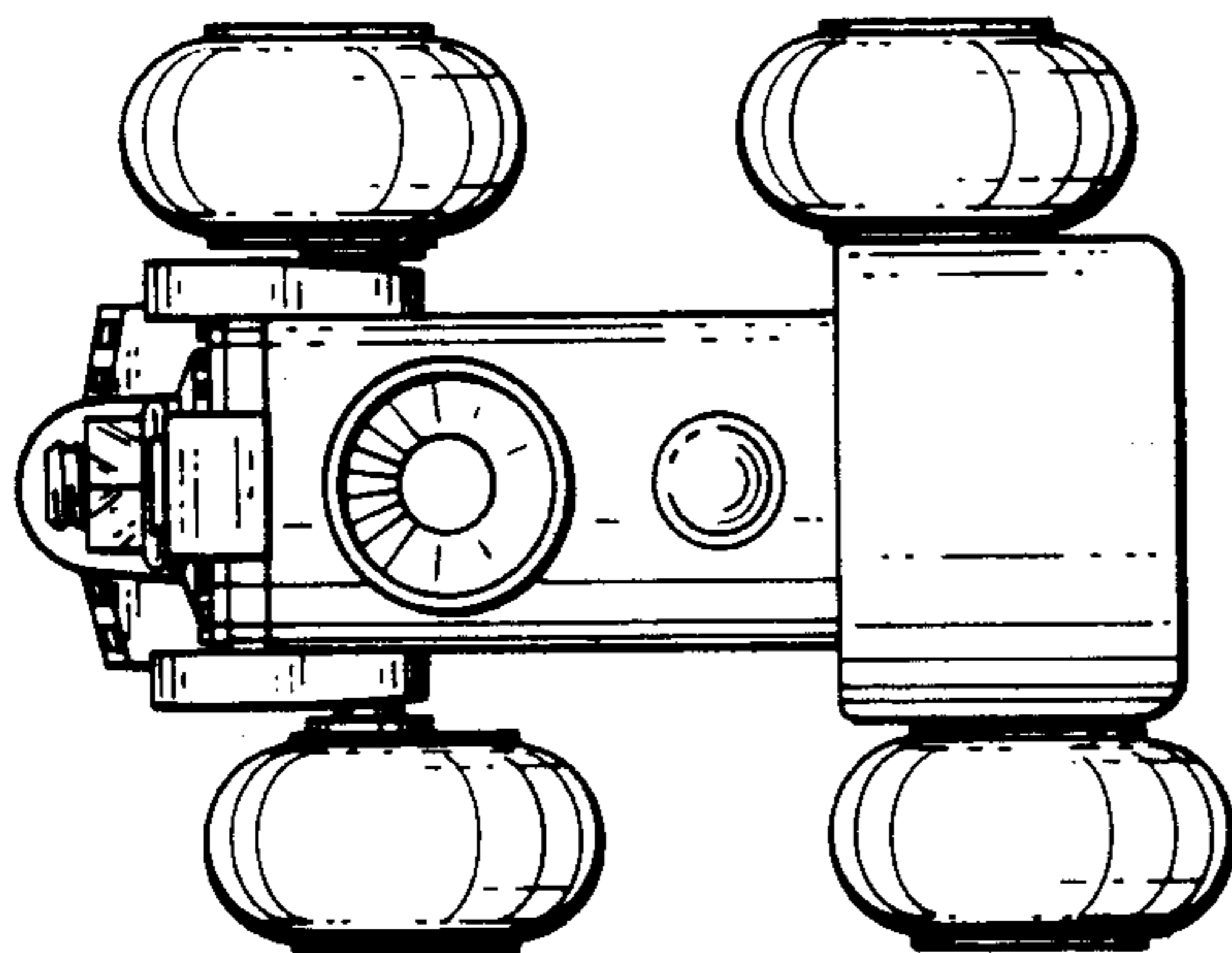


FIG. 5

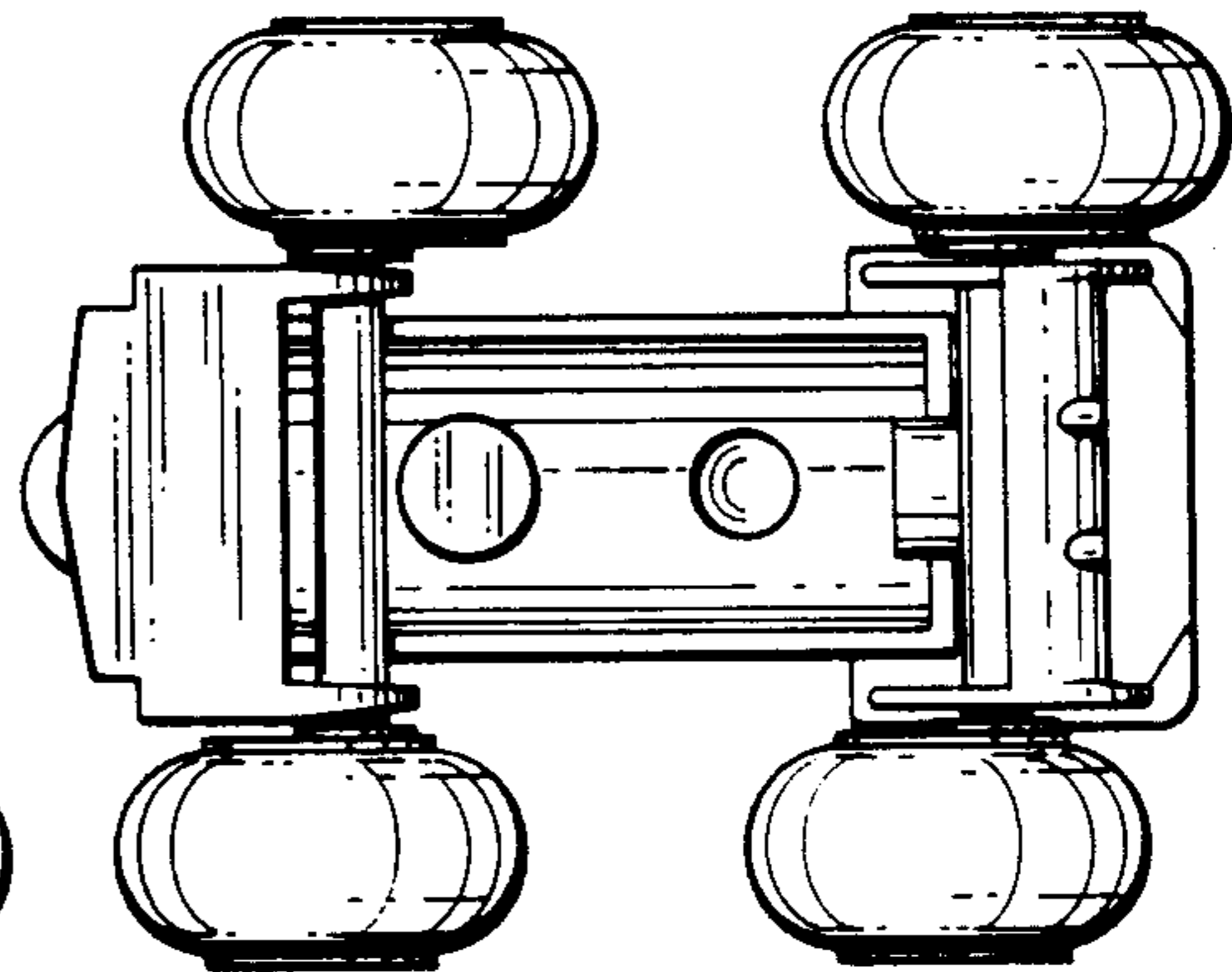


FIG. 6