

[54] TABLE FOR PLAYING A BALL GAME

[76] Inventors: Nils O. S. Malm, Lupinvägen 12;
Carl G. Larsson, Lupinvägen 22,
both of S162 35 Vällingby, Sweden

[**] Term: 14 Years

[21] Appl. No.: 850,055

[22] Filed: Nov. 9, 1977

[30] Foreign Application Priority Data

May 26, 1977 [SE] Sweden 77-1200

[51] Int. Cl. D21-01

[52] U.S. Cl. D21/14

[58] Field of Search D21/14, 7; 273/30, 95 R

[56]

References Cited

U.S. PATENT DOCUMENTS

2,497,925	2/1950	Bergerioux	273/30
2,688,484	9/1954	Garber	273/95 R
3,452,985	7/1969	D'Zmura	273/95 R

Primary Examiner—Melvin B. Feifer
Attorney, Agent, or Firm—Irvin S. Thompson

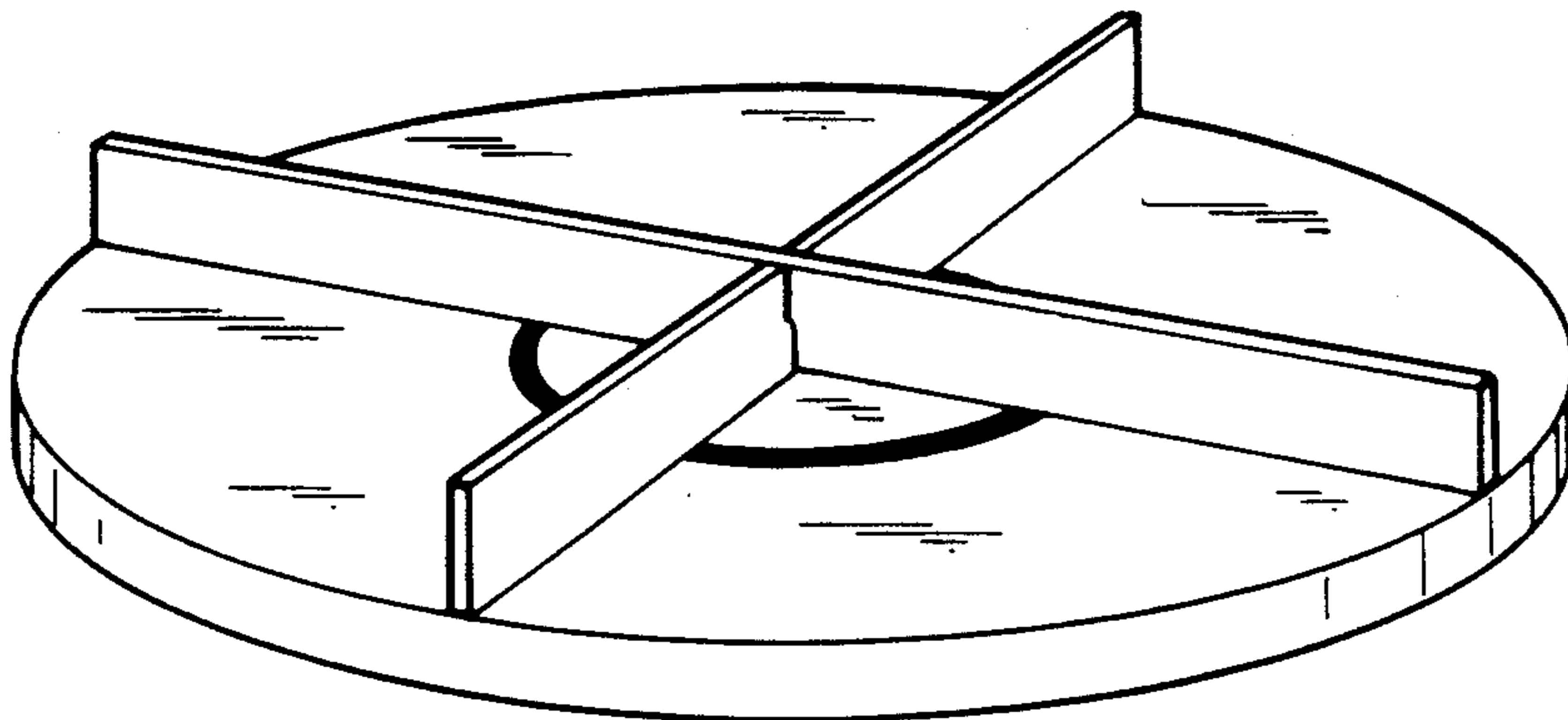
[57]

CLAIM

The ornamental design for a table for playing a ball game, as shown and described.

DESCRIPTION

FIG. 1 is a top perspective view of a table for playing a ball game showing our design; and FIG. 2 is a bottom perspective view thereof. The top perspective view from the side opposite that shown in FIG. 1, is identical to FIG. 1.



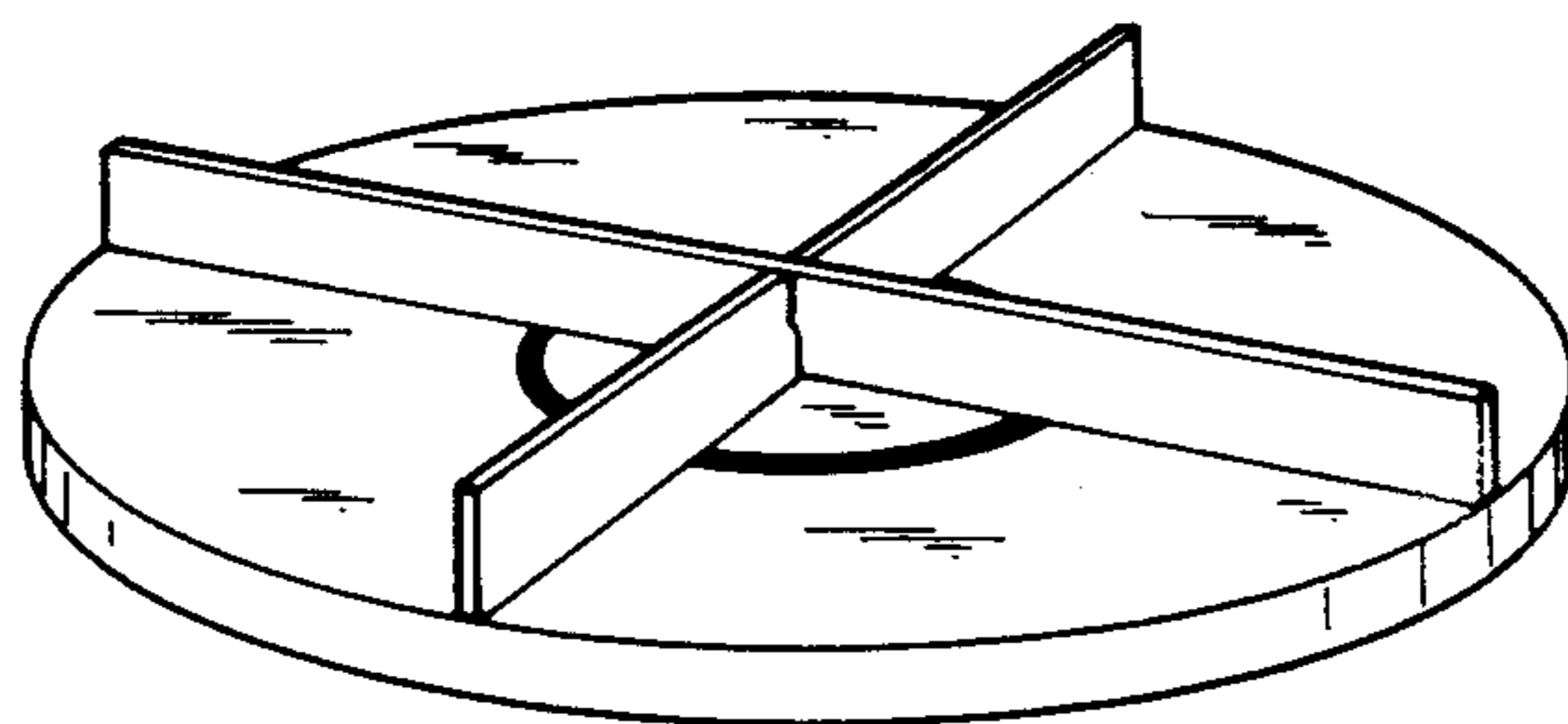


FIG. 1

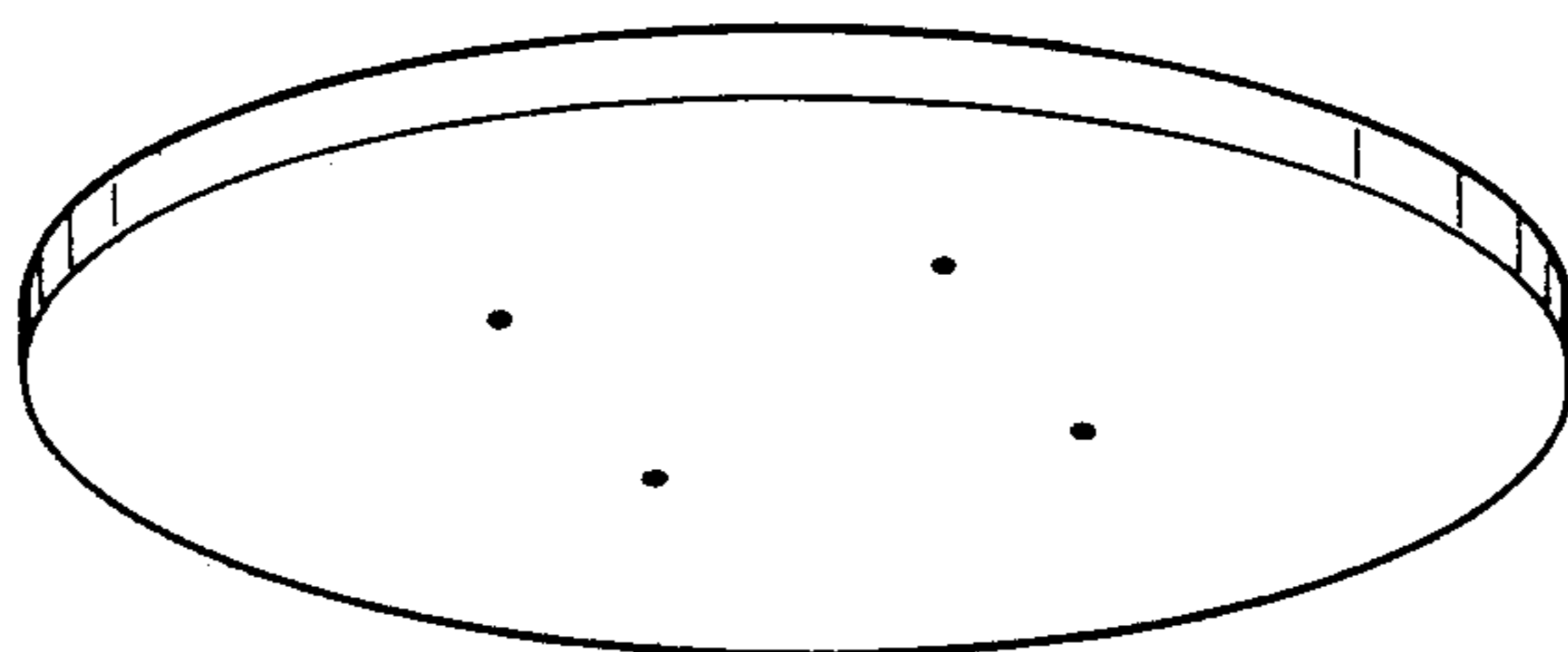


FIG. 2