

[54] GAME TARGET

[76] Inventor: Edmund F. Norden, 5157 Henry, Muskegon, Mich. 49441

[**] Term: 14 Years

[21] Appl. No.: 799,746

[22] Filed: May 23, 1977

Related U.S. Application Data

[62] Division of Ser. No. 585,617, Jun. 10, 1975.

[51] Int. Cl. D21-01

[52] U.S. Cl. D21/8

[58] Field of Search D34/5 NN; 273/177 R, 273/178 R, 179 R, 180, 111, 121, 123 R, 176 R

[56] References Cited

U.S. PATENT DOCUMENTS

D. 161,248	12/1950	Darr	D34/5 NN
1,656,739	1/1928	Kurtz	D34/5 NN
1,874,873	8/1932	Boye	D34/5 NN
2,140,082	12/1938	Klinger	273/123 R

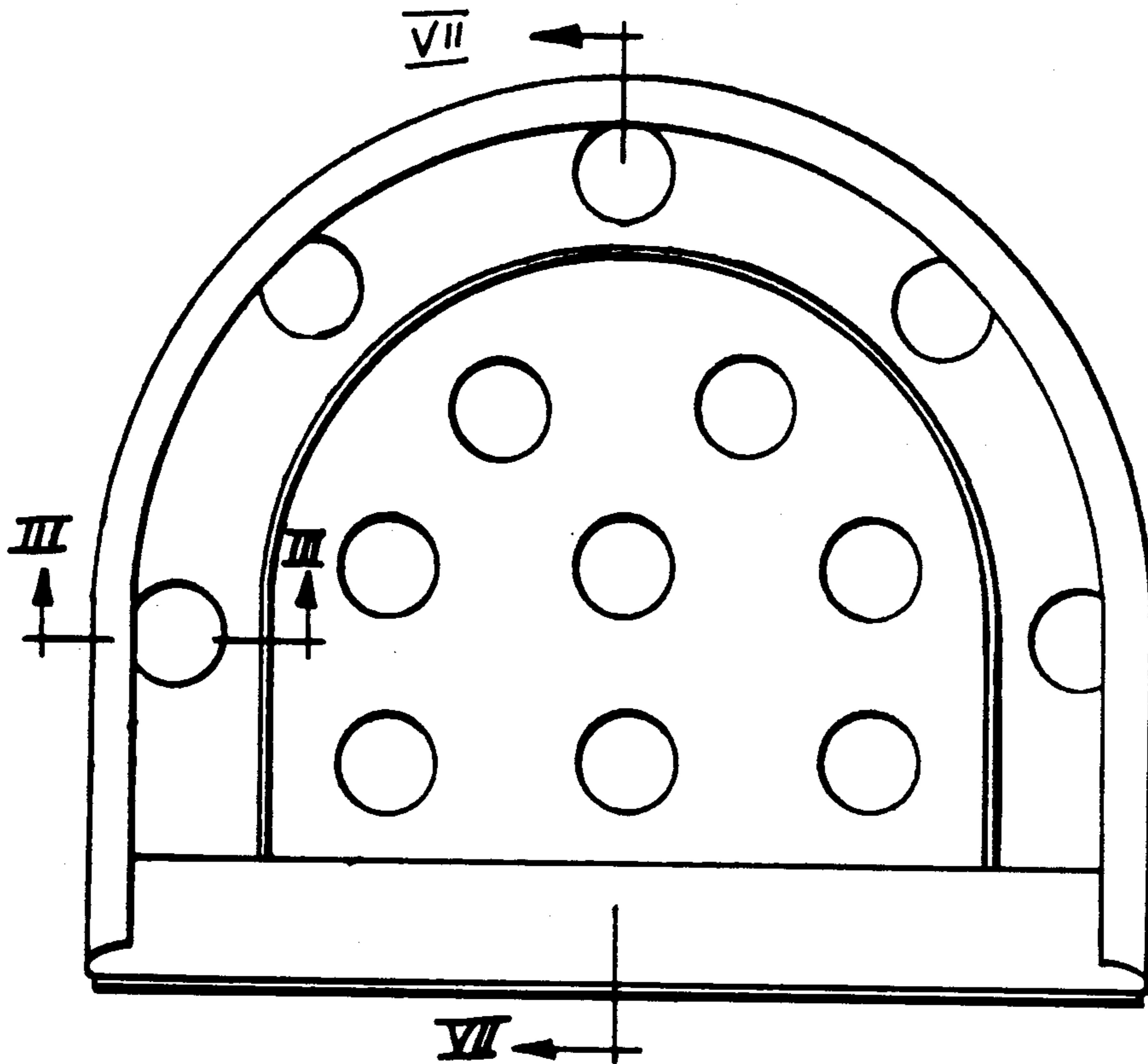
Primary Examiner—Melvin B. Feifer
Attorney, Agent, or Firm—Peter P. Price

[57] CLAIM

The ornamental design for a game target, substantially as shown and described.

DESCRIPTION

FIG. 1 is a perspective view of a game target showing my new design;
 FIG. 2 is a plan view thereof;
 FIG. 3 is a fragmentary sectional view taken along line III—III of FIG. 2;
 FIG. 4 is a bottom view thereof;
 FIG. 5 is a rear elevation thereof;
 FIG. 6 is a side elevation thereof;
 FIG. 7 is a sectional side elevation taken along line VIII—VIII of FIG. 2;
 FIG. 8 is a perspective view of another embodiment of the game target;
 FIG. 9 is a plan view of FIG. 8;
 FIG. 10 is a bottom view of FIG. 8;
 FIG. 11 is a rear elevation of FIG. 8;
 FIG. 12 is a side elevation of FIG. 8;
 FIG. 13 is a sectional side elevation taken along line XIII—XIII of FIG. 9; and
 FIG. 14 is a fragmentary sectional view taken along line XIV—XIV of FIG. 9.



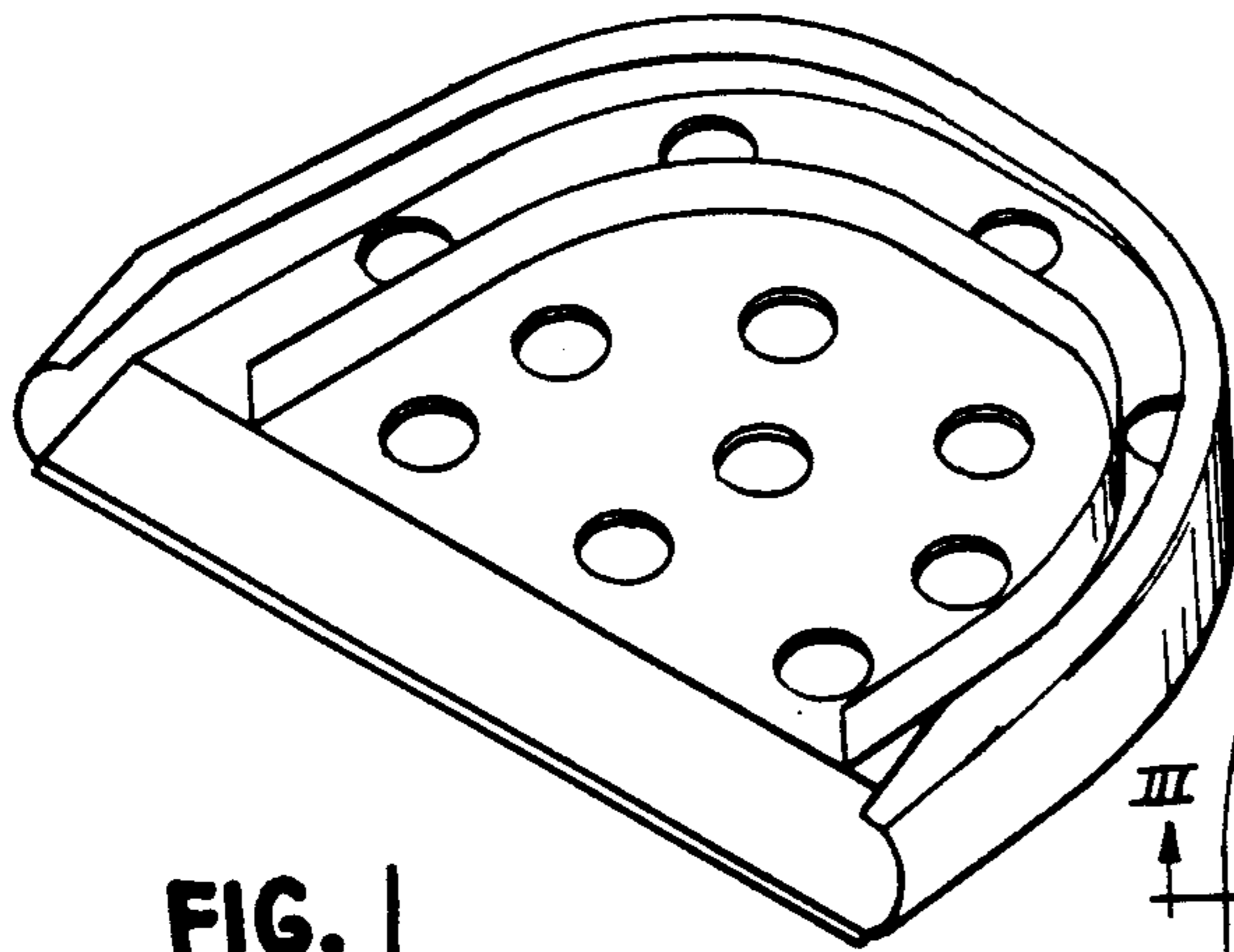


FIG. 1

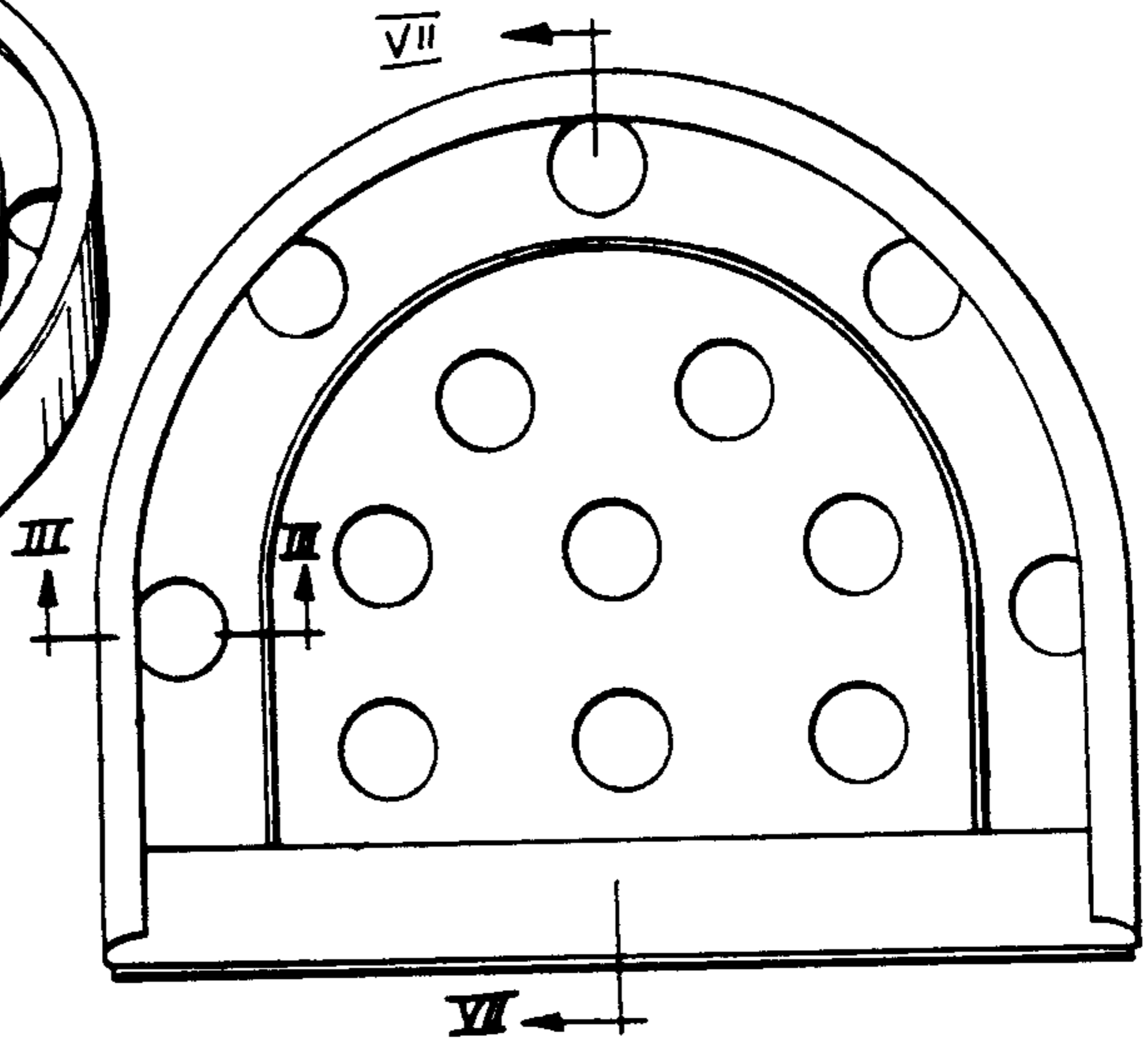


FIG. 2

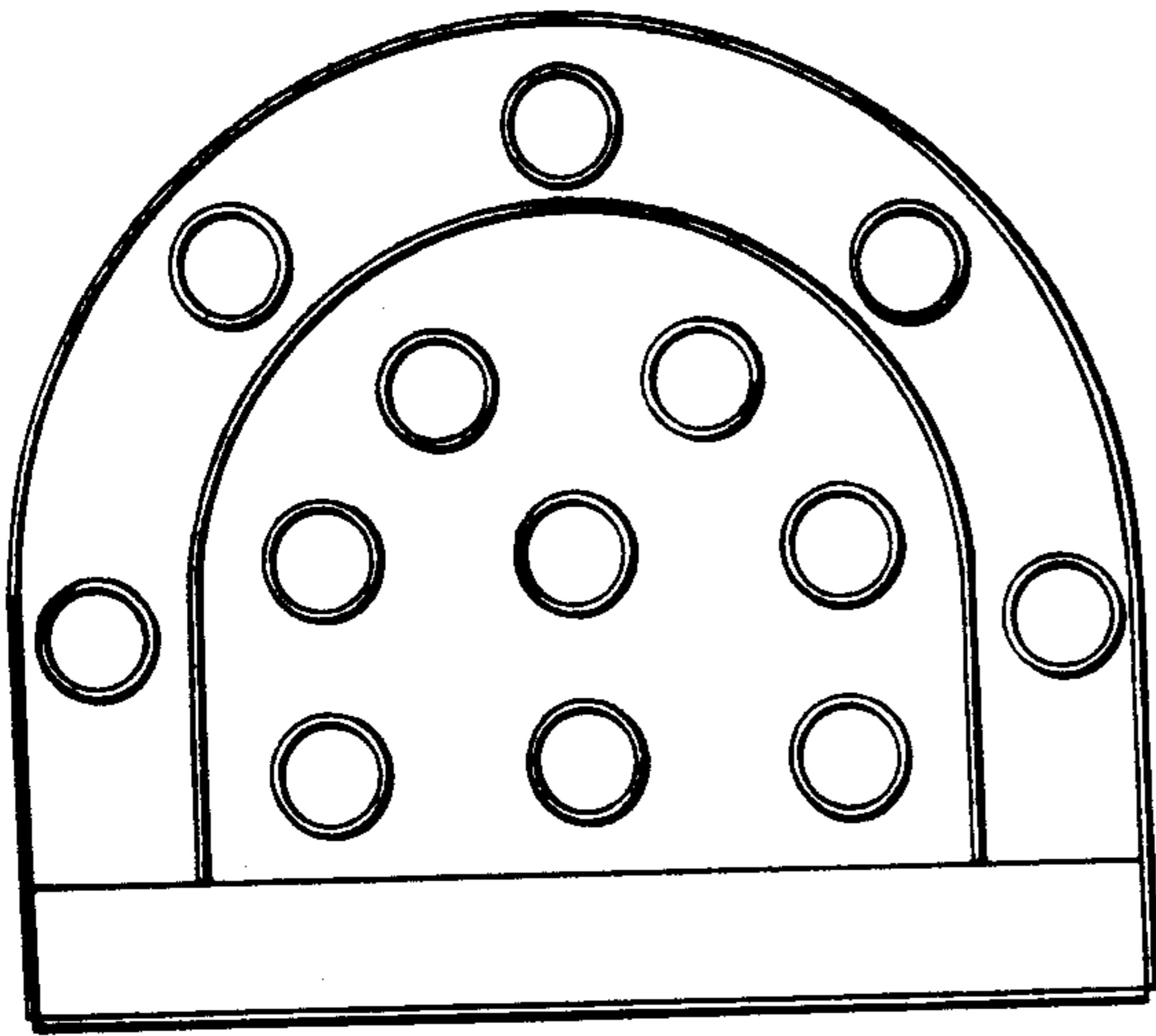


FIG. 4

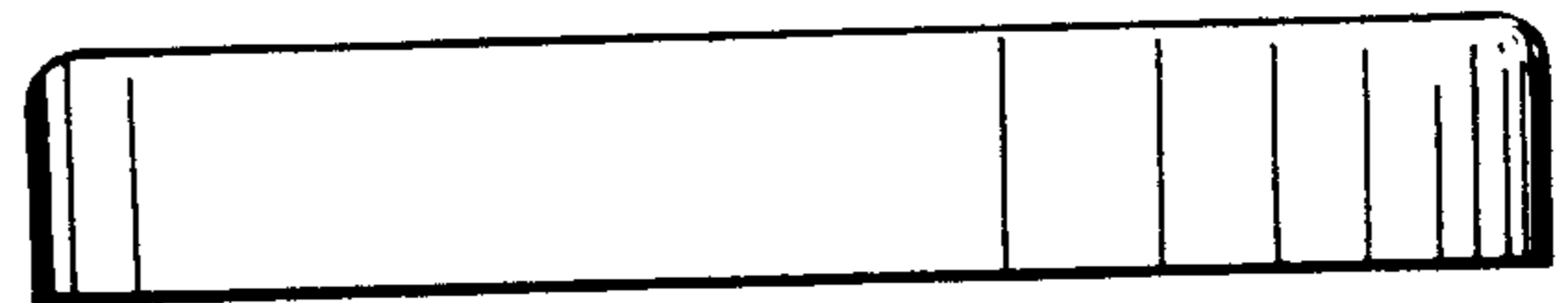


FIG. 5

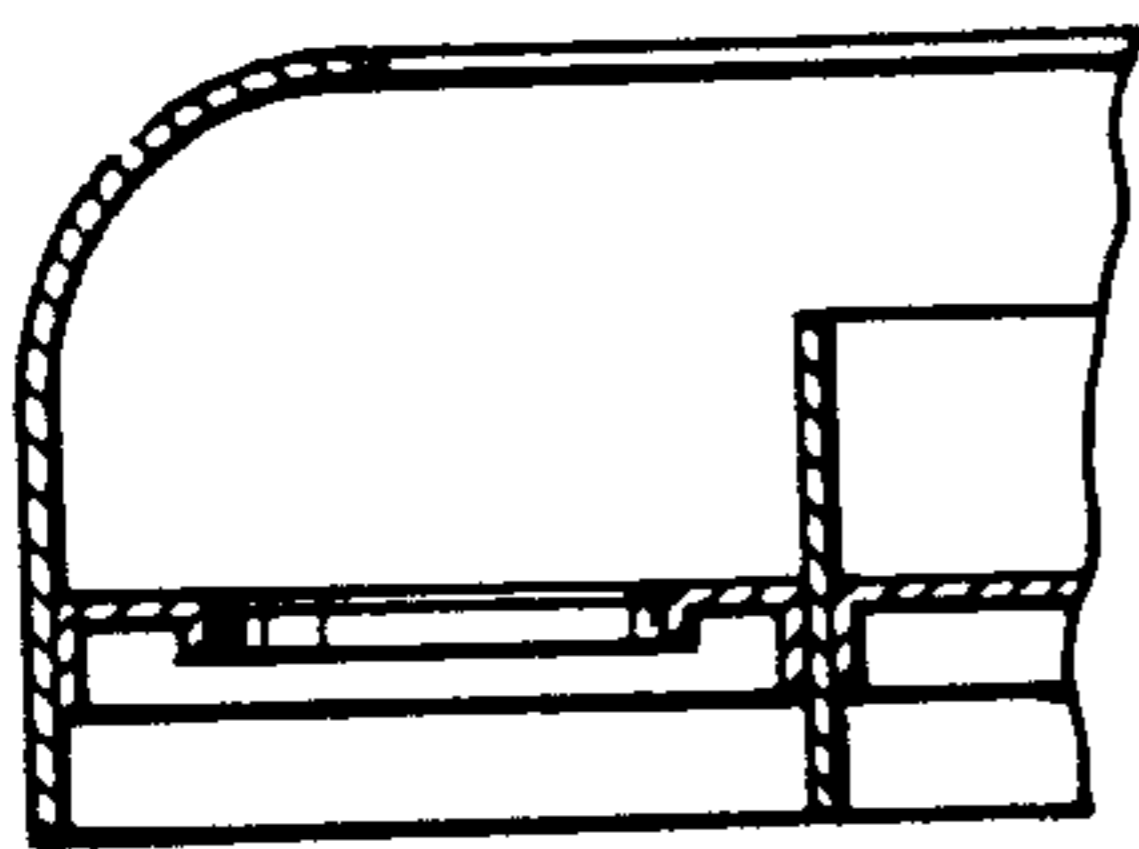


FIG. 3

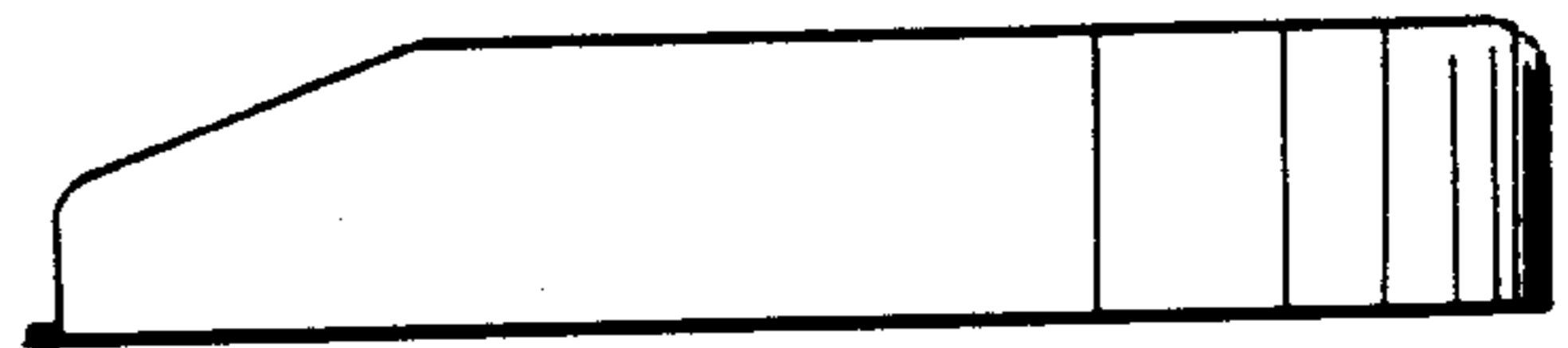


FIG. 6

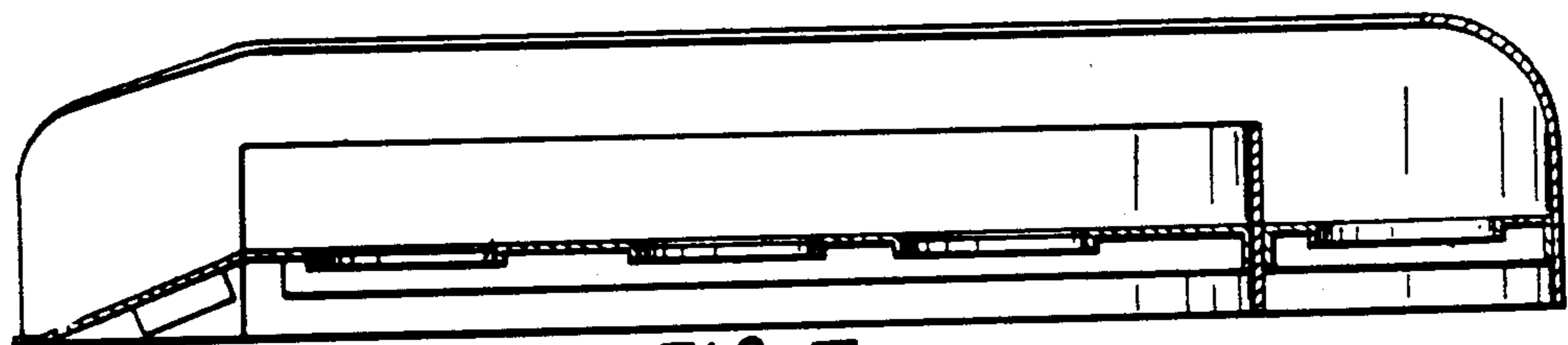


FIG. 7

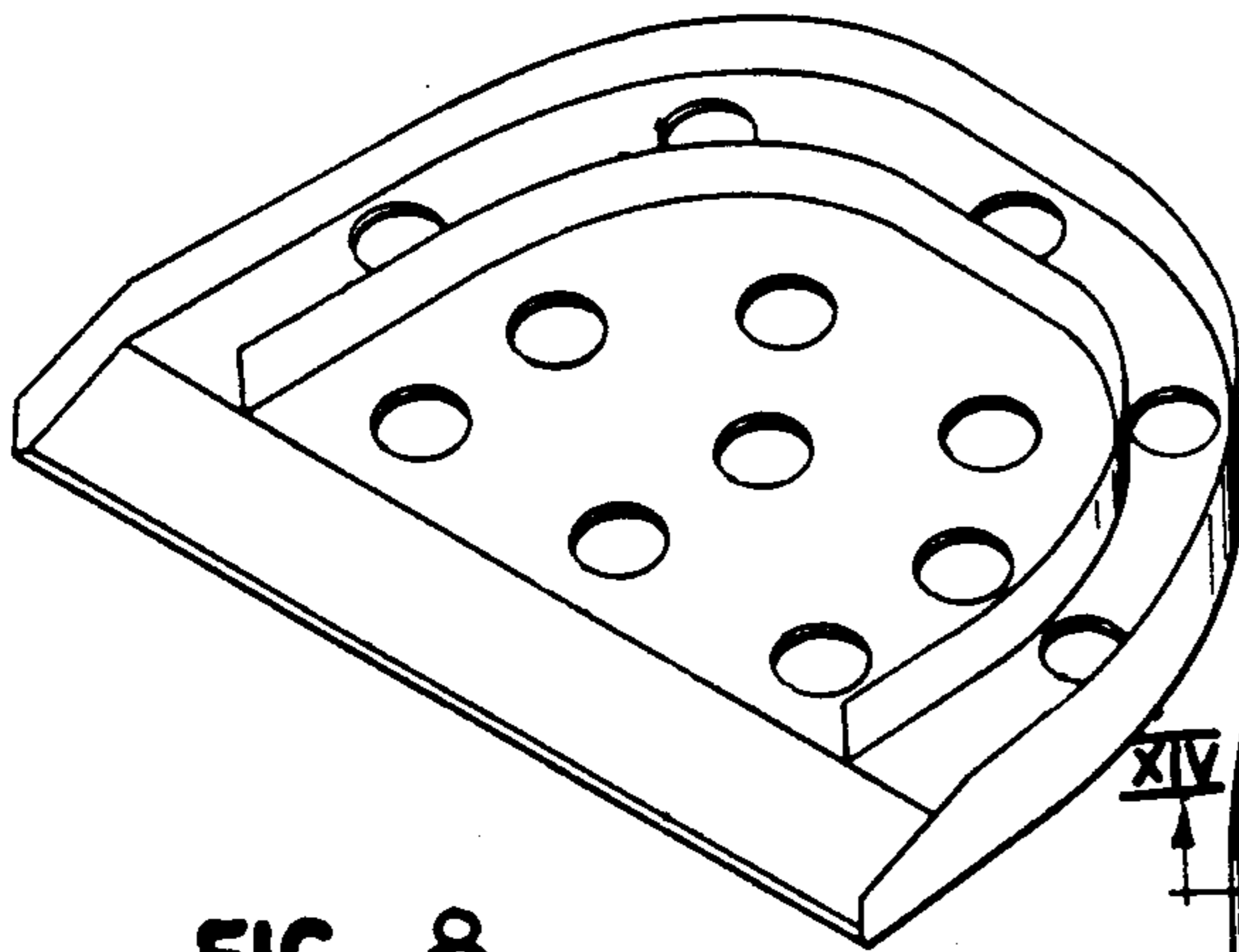


FIG. 8

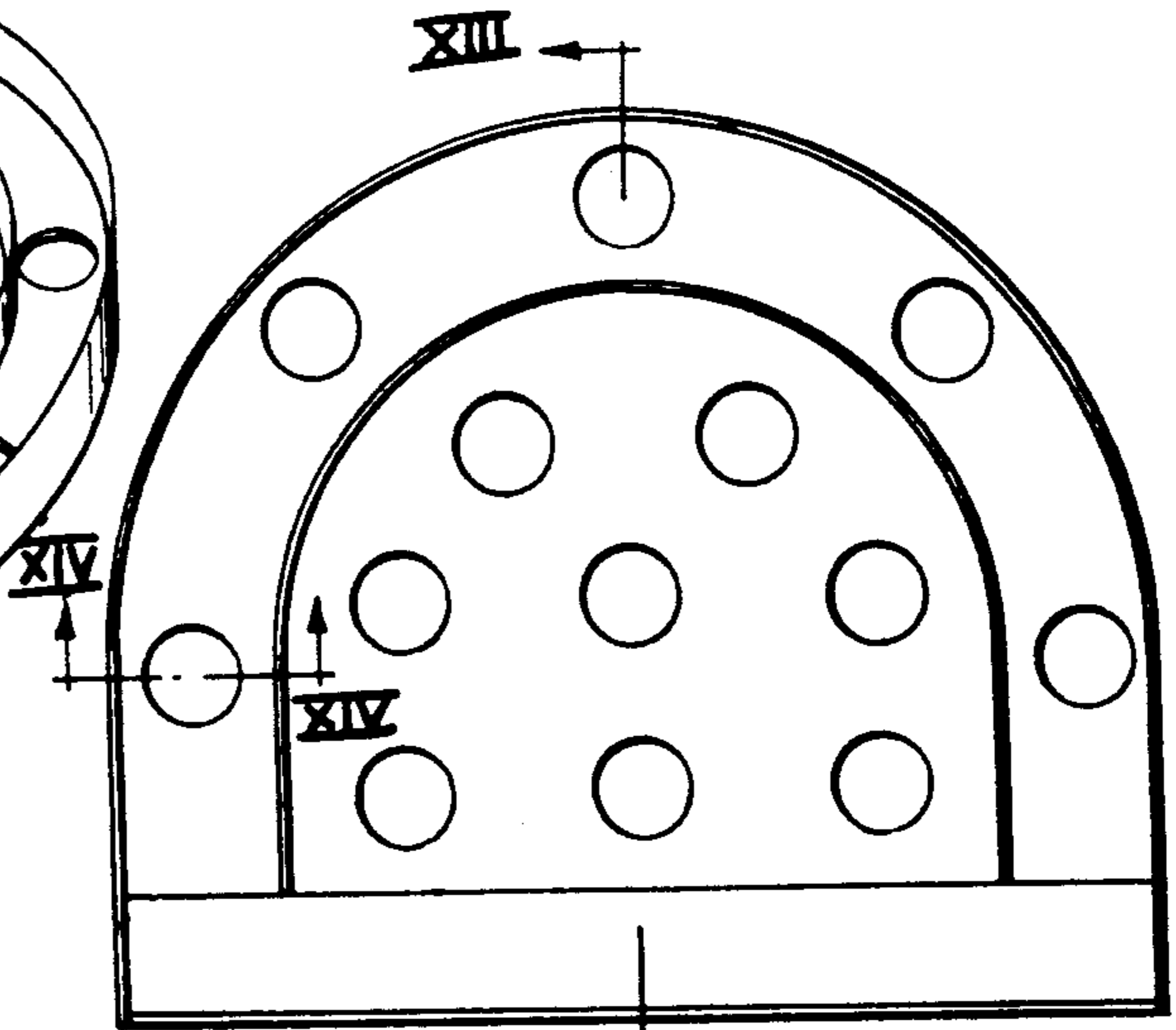


FIG. 9

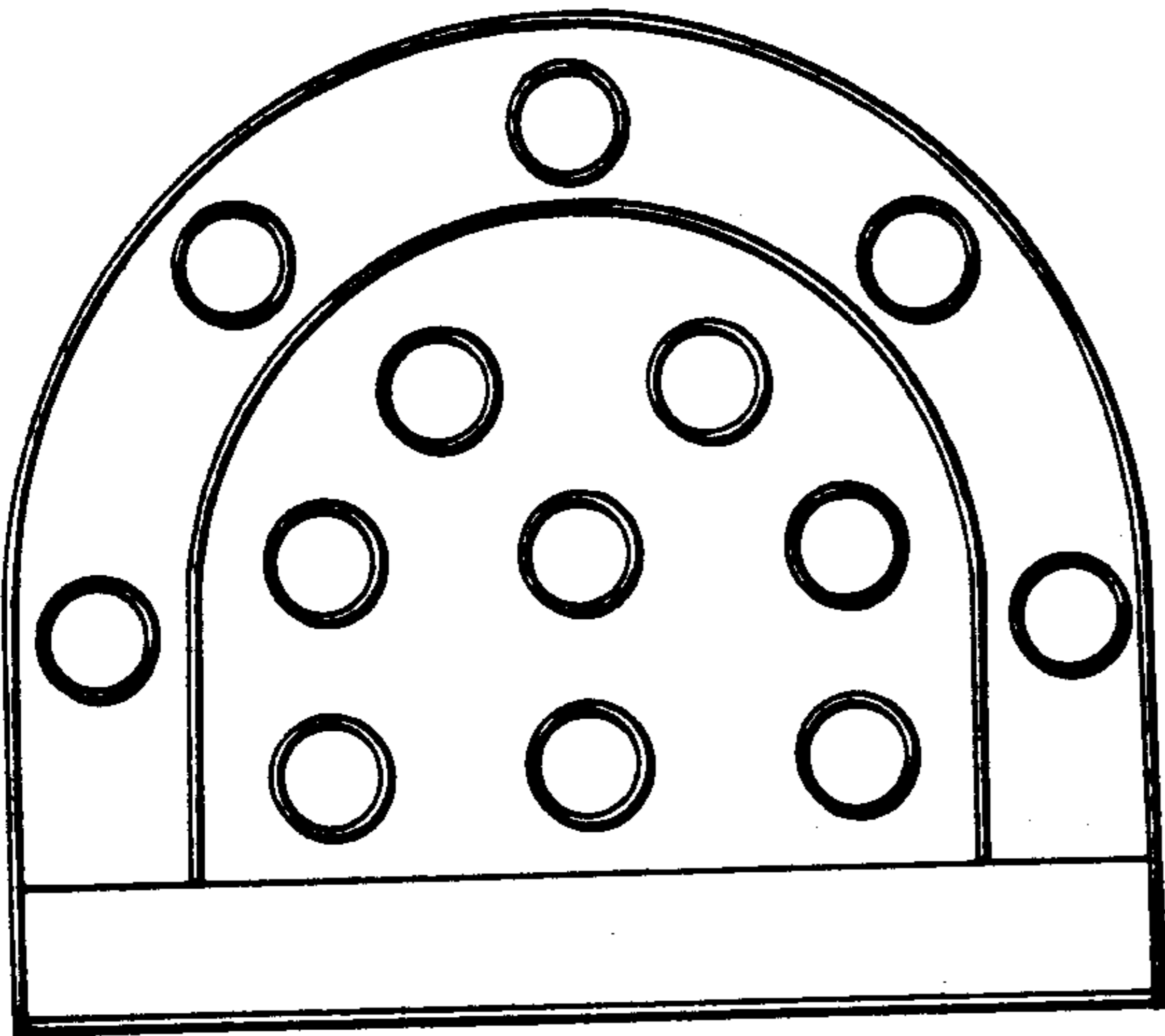


FIG. 10



FIG. 11

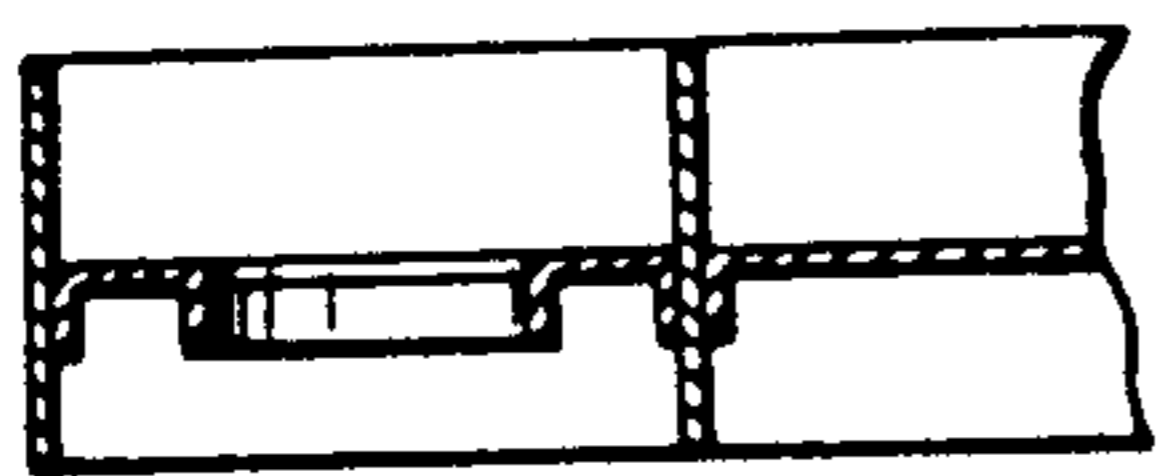


FIG. 14

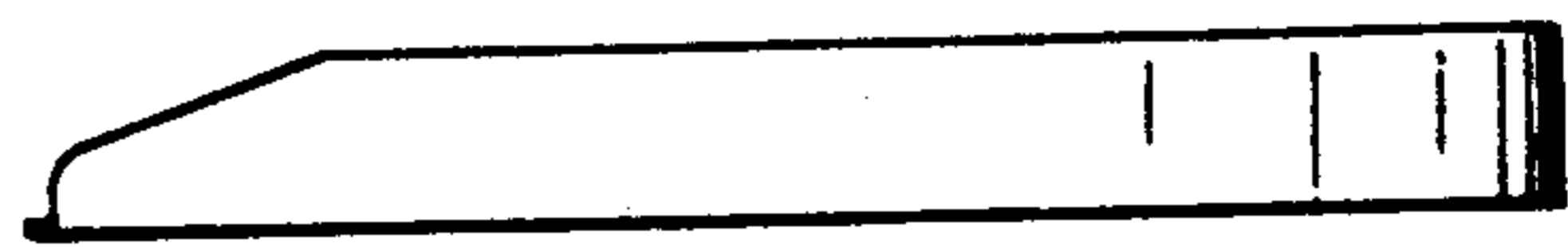


FIG. 12

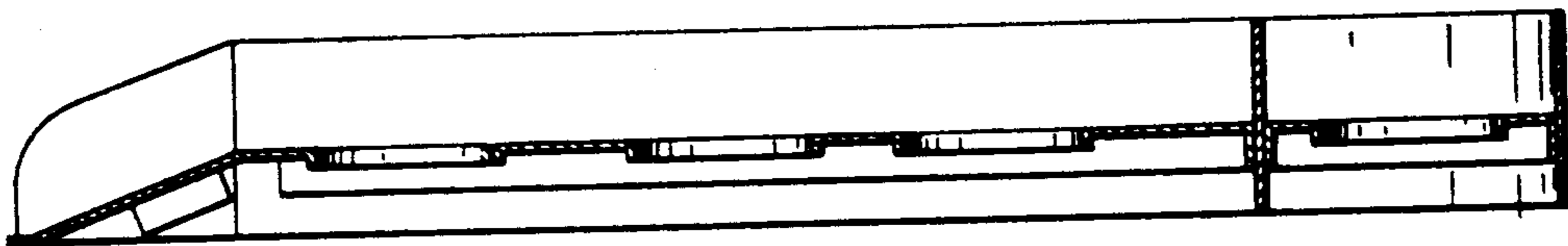


FIG. 13

UNITED STATES PATENT AND TRADEMARK OFFICE
CERTIFICATE OF CORRECTION

PATENT NO. : Des. 254,017
DATED : January 22, 1980
INVENTOR(S) : Edmund F. Norden

It is certified that error appears in the above-identified patent and that said Letters Patent are hereby corrected as shown below:

In the Figure Description of Fig. 7:

"VIII-VIII" should be -- VII-VII --

Signed and Sealed this

Sixth Day of May 1980

[SEAL]

Attest:

SIDNEY A. DIAMOND

Attesting Officer

Commissioner of Patents and Trademarks