

[54] FOLLOWER BLOCK FOR A CARD FILE

1,067,831	7/1913	More	220/22.4
1,355,257	10/1920	Peel et al.	220/22.4
1,891,522	12/1932	Bullock	220/22.4
2,631,590	3/1953	Regenhardt	220/22.4

[75] Inventors: Gary A. Dolphin, Sr.; James F. Hampshire; Greg P. Terek, all of Winchester, Va.

[73] Assignee: Rubbermaid Commercial Products Inc., Winchester, Va.

[**] Term: 14 Years

[21] Appl. No.: 856,321

[22] Filed: Dec. 1, 1977

[51] Int. Cl. D19-99

[52] U.S. Cl. D19/99

[58] Field of Search D19/65, 75, 76, 92, D19/99, 100; 206/425; 312/71, 61, 350, 183; 211/51; 220/22.1-22.5

[56] References Cited

U.S. PATENT DOCUMENTS

1,911,54 5/1933 Davis 220/22.4

Primary Examiner—Joel Stearman
Assistant Examiner—George P. Word
Attorney, Agent, or Firm—E. R. Hamilton

[57] CLAIM

The ornamental design for a follower block for a card file, as shown and described.

DESCRIPTION

FIG. 1 is a front perspective view of a follower block for a card file embodying our new design. FIG. 2 is a rear perspective view thereof. FIG. 3 is a top plan elevational view thereof. FIG. 4 is a front elevational view thereof. FIG. 5 is a side elevational view thereof. FIG. 6 is a rear elevational view thereof. The side opposite that shown in FIG. 5 is a mirror image thereof.

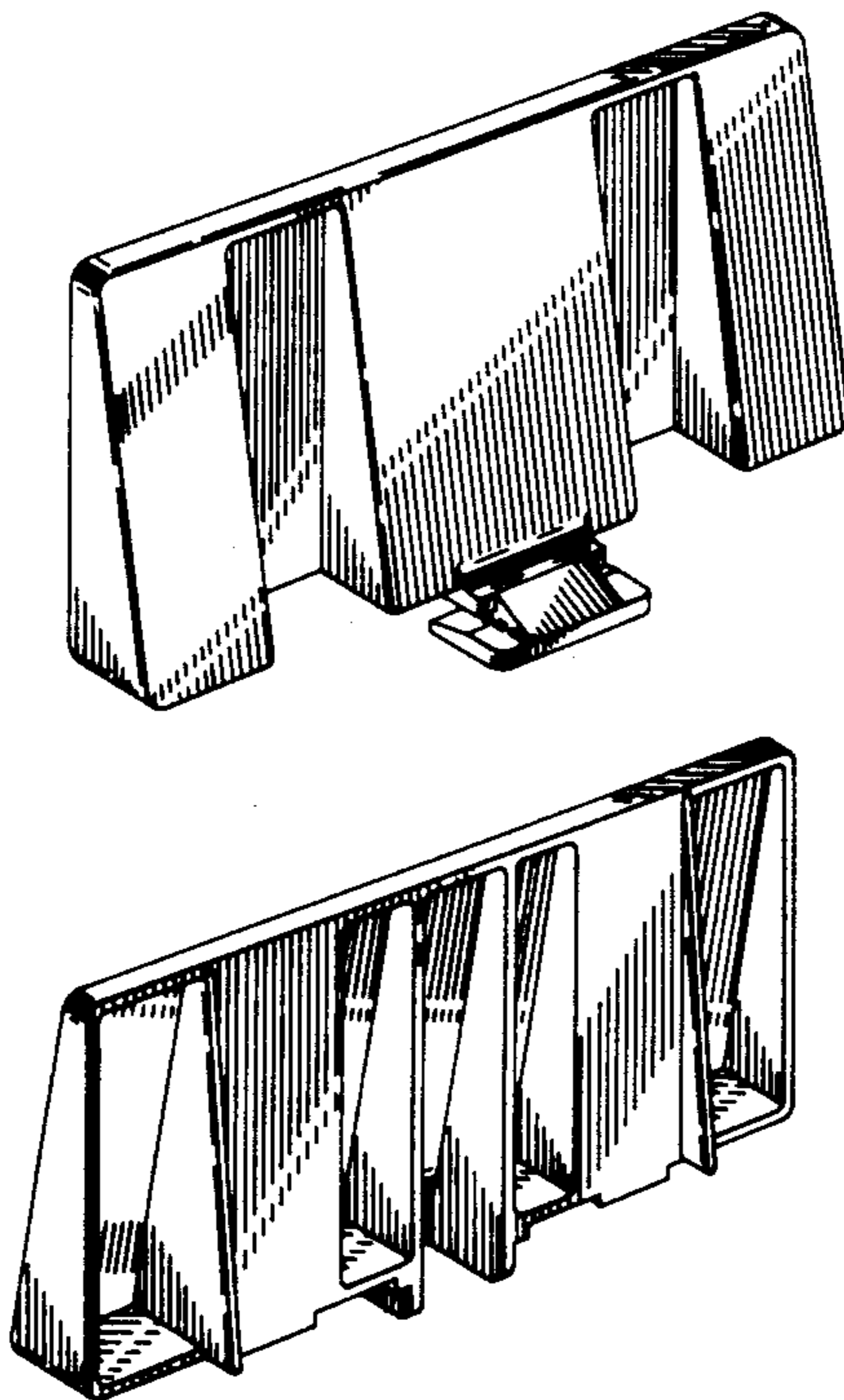


FIG. 1

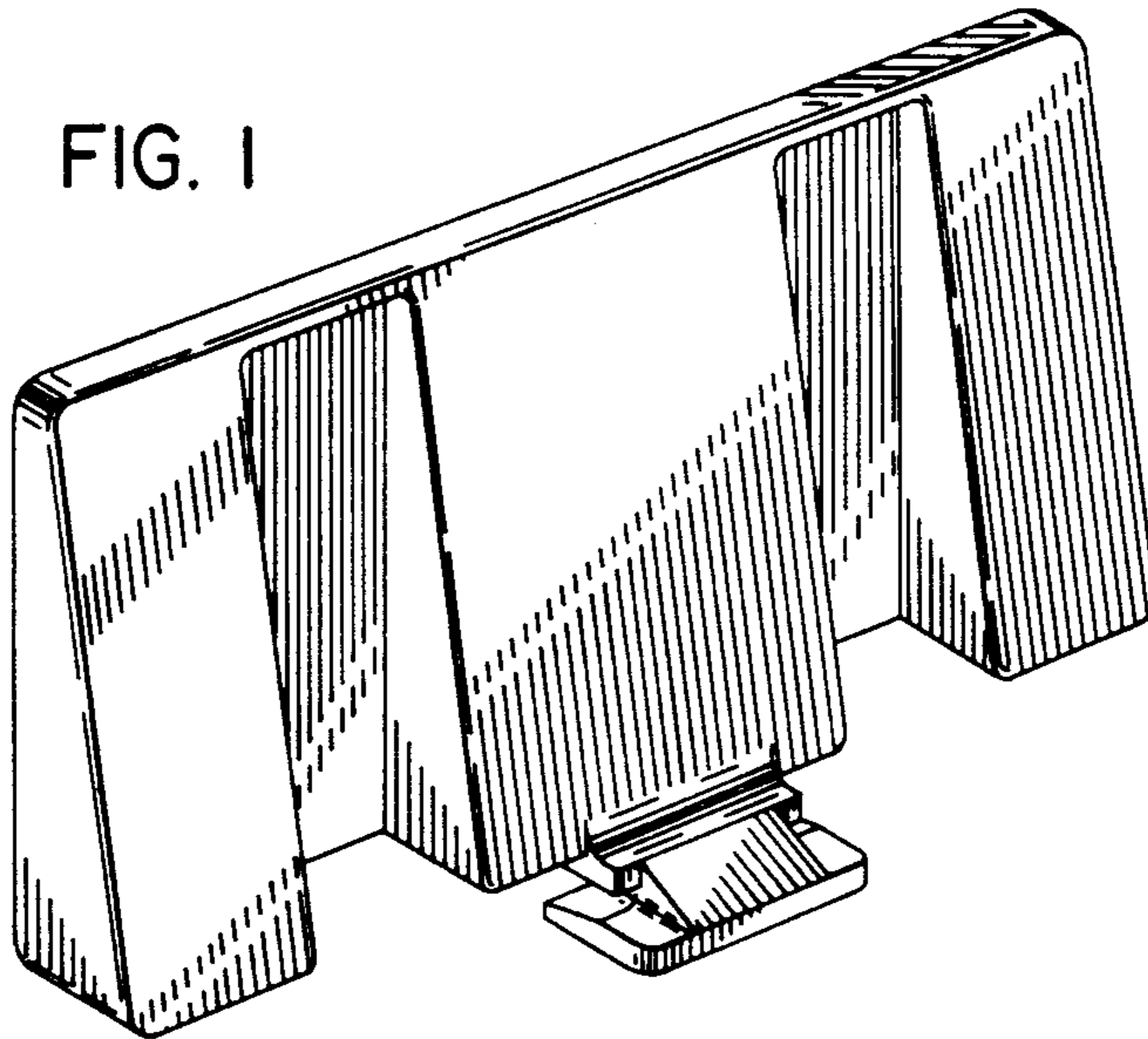
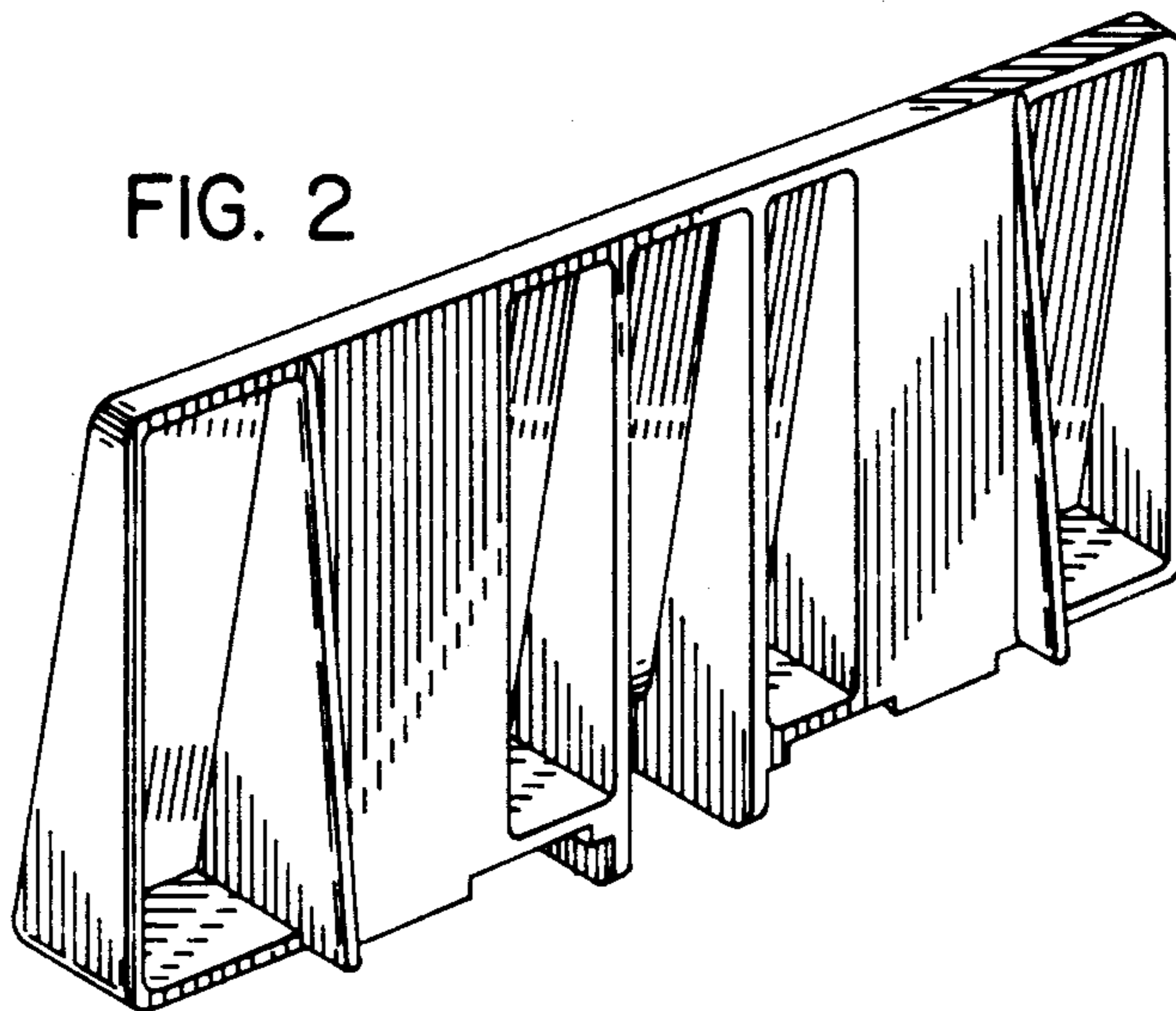


FIG. 2



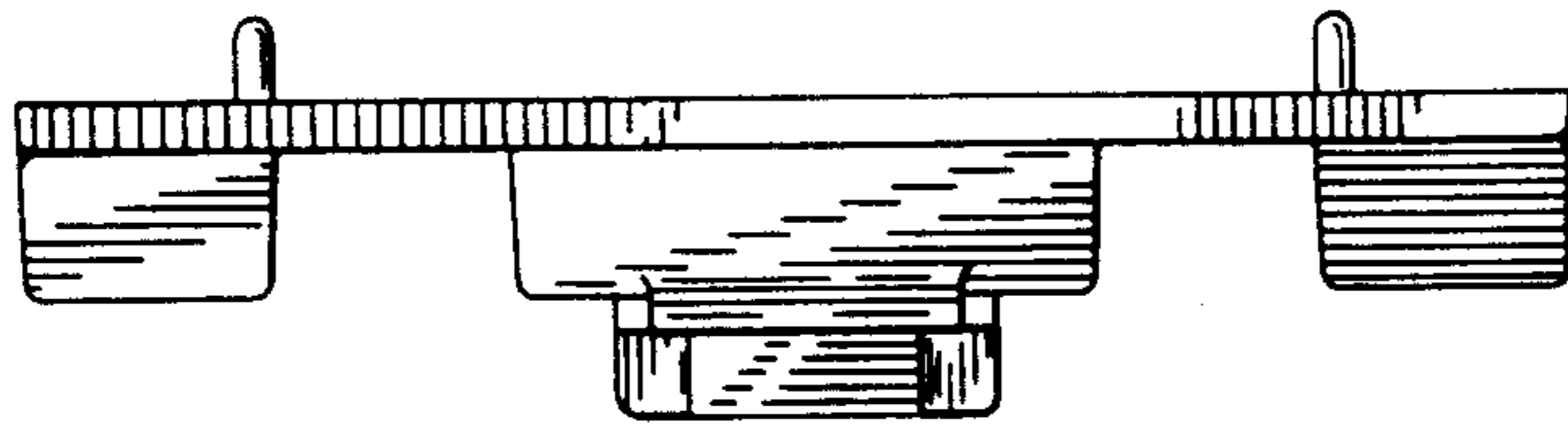


FIG. 3

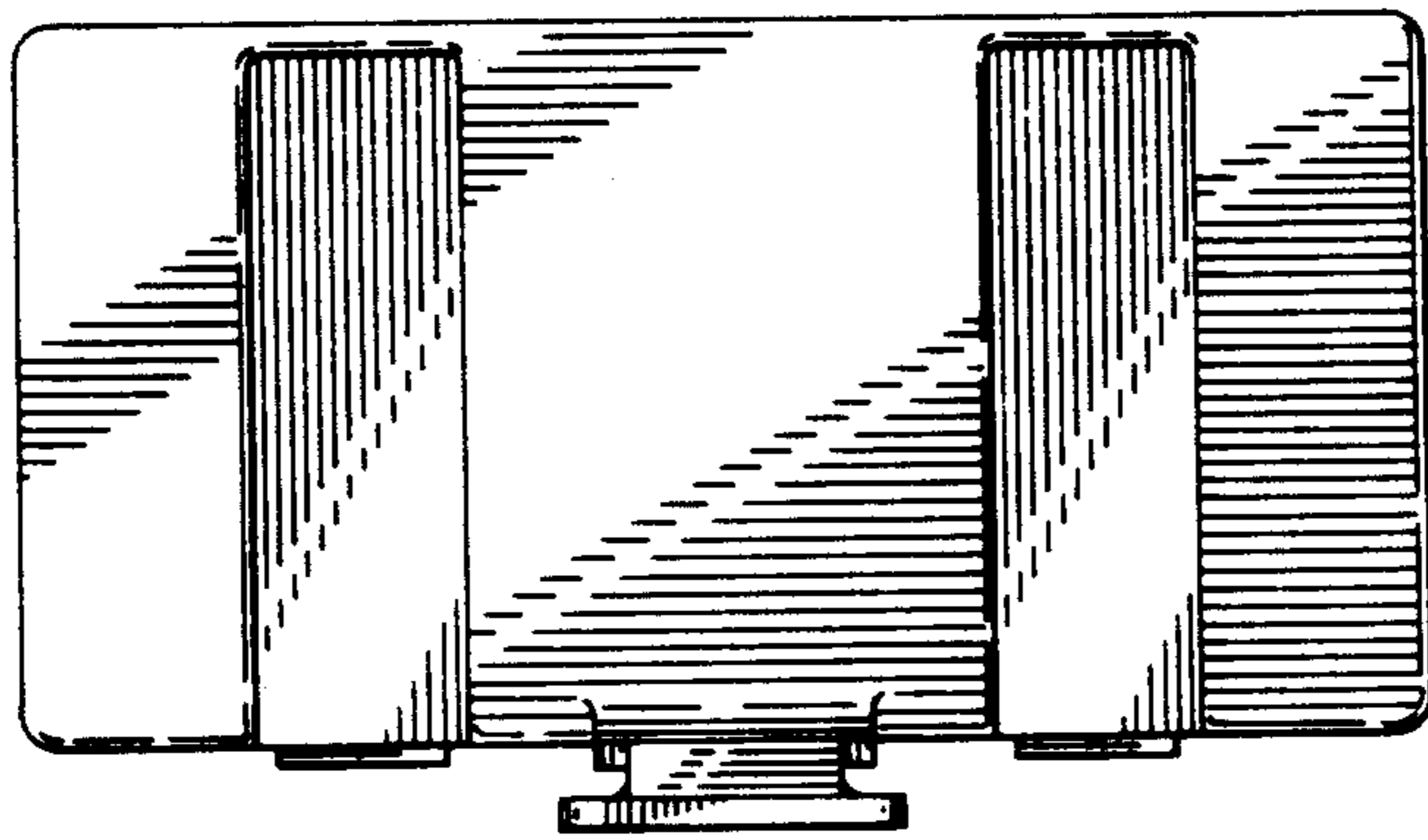


FIG. 4

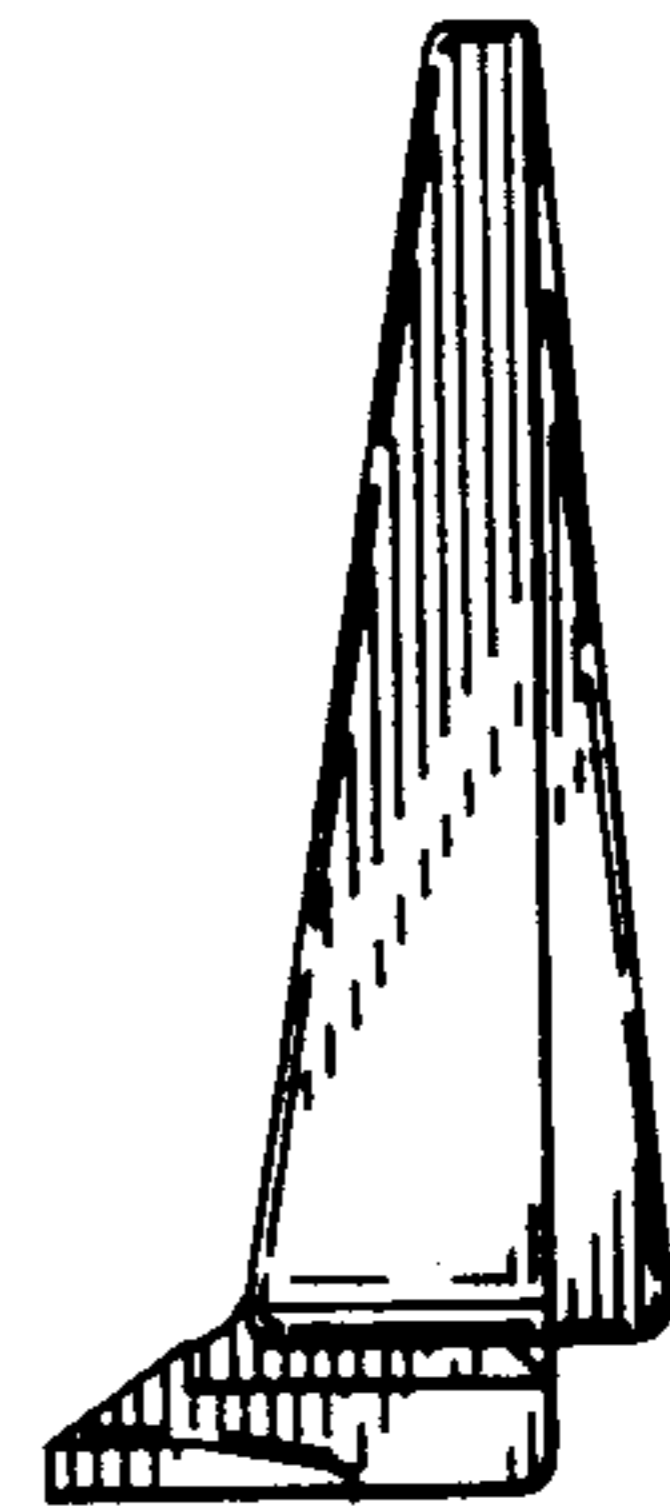


FIG. 5

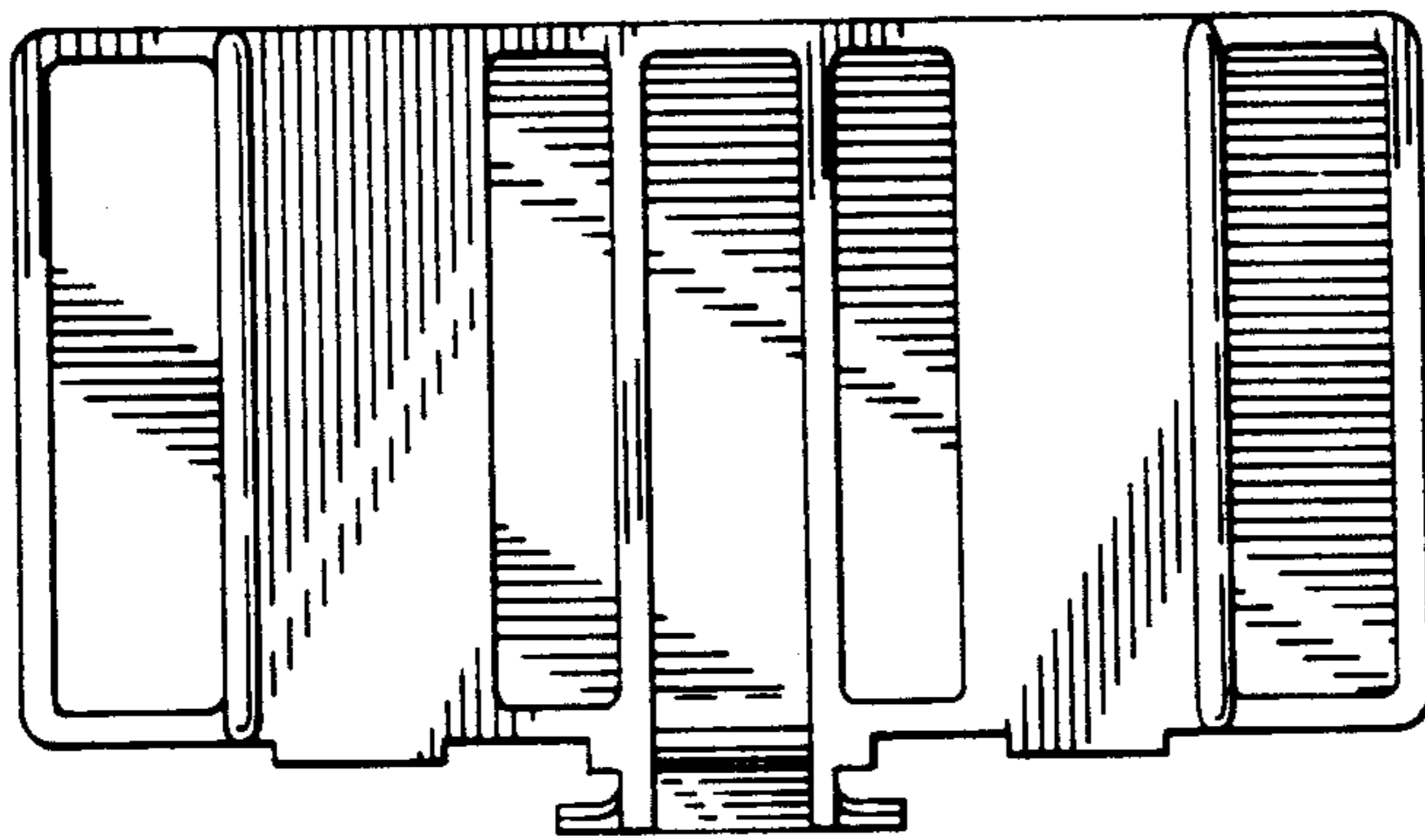


FIG. 6