

[54] WINDOW WASHING MACHINE

[76] Inventor: Dennis D. Stokebrand, P.O. Box
80624, Lincoln, Nebr. 68501

[**] Term: 14 Years

[21] Appl. No.: 837,667

[22] Filed: Sep. 29, 1977

[51] Int. Cl. D23-04; D15-05

[52] U.S. Cl. D15/34; D15/50;
D23/158

[58] Field of Search D15/34, 48, 50; 15/103,
15/232, 21 R, 21 E, 23, 49 C, 50 R, 50 C;
D23/155-160

[56] References Cited

U.S. PATENT DOCUMENTS

2,718,656	9/1955	Kirk	15/103 X
3,629,893	12/1971	Brown	15/103
3,919,733	11/1975	Susnjara	15/23

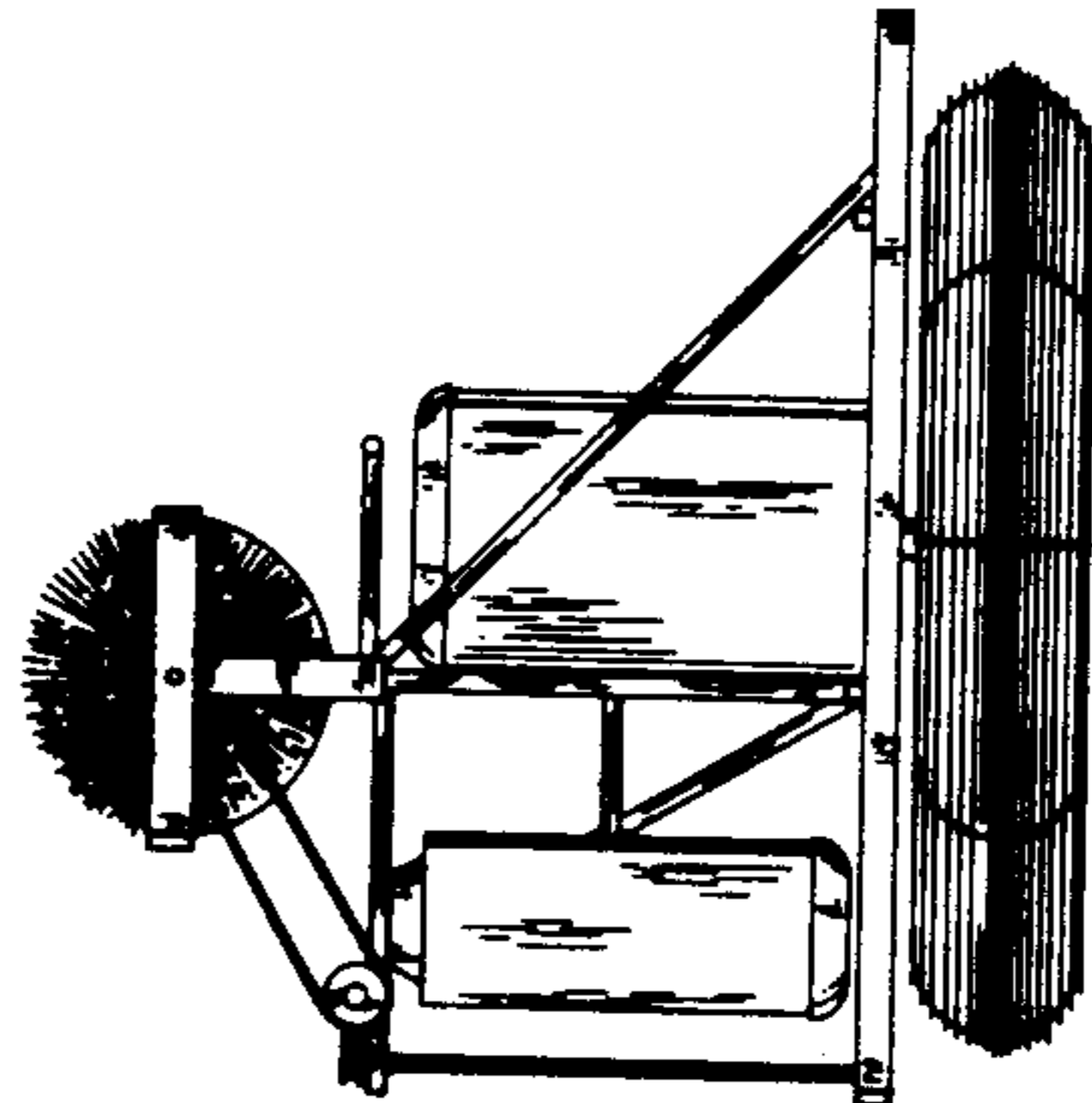
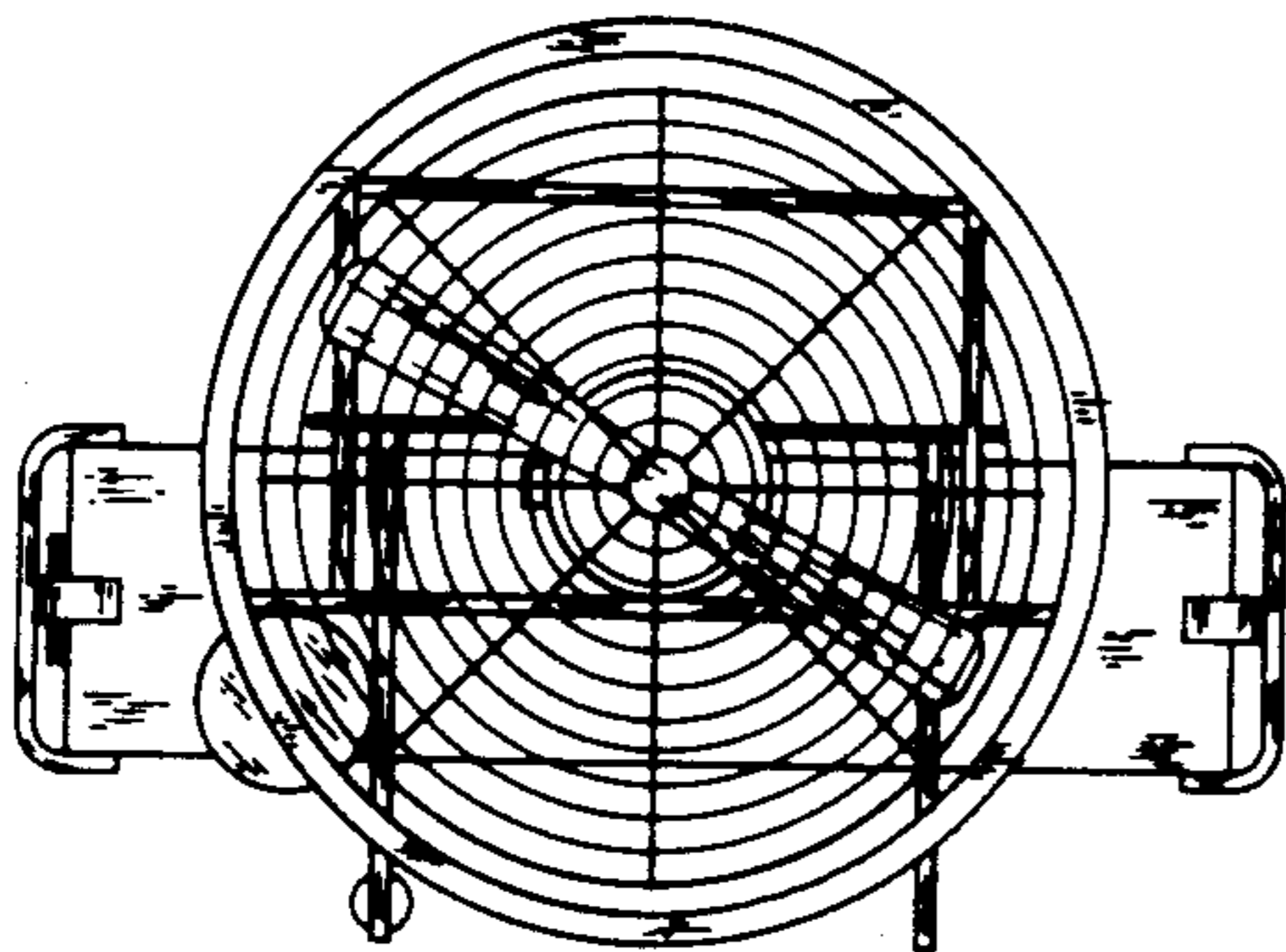
Primary Examiner—Wallace R. Burke
Assistant Examiner—Catherine Kemper
Attorney, Agent, or Firm—Louis J. Strom

[57] CLAIM

The ornamental design for a window washing machine, substantially as shown.

DESCRIPTION

FIG. 1 is a front elevational view of a window washing machine showing my new design; FIG. 2 is a right side elevational view thereof; FIG. 3 is a left side elevational view thereof; FIG. 4 is a rear elevational view thereof; and FIG. 5 is a top plan view thereof.



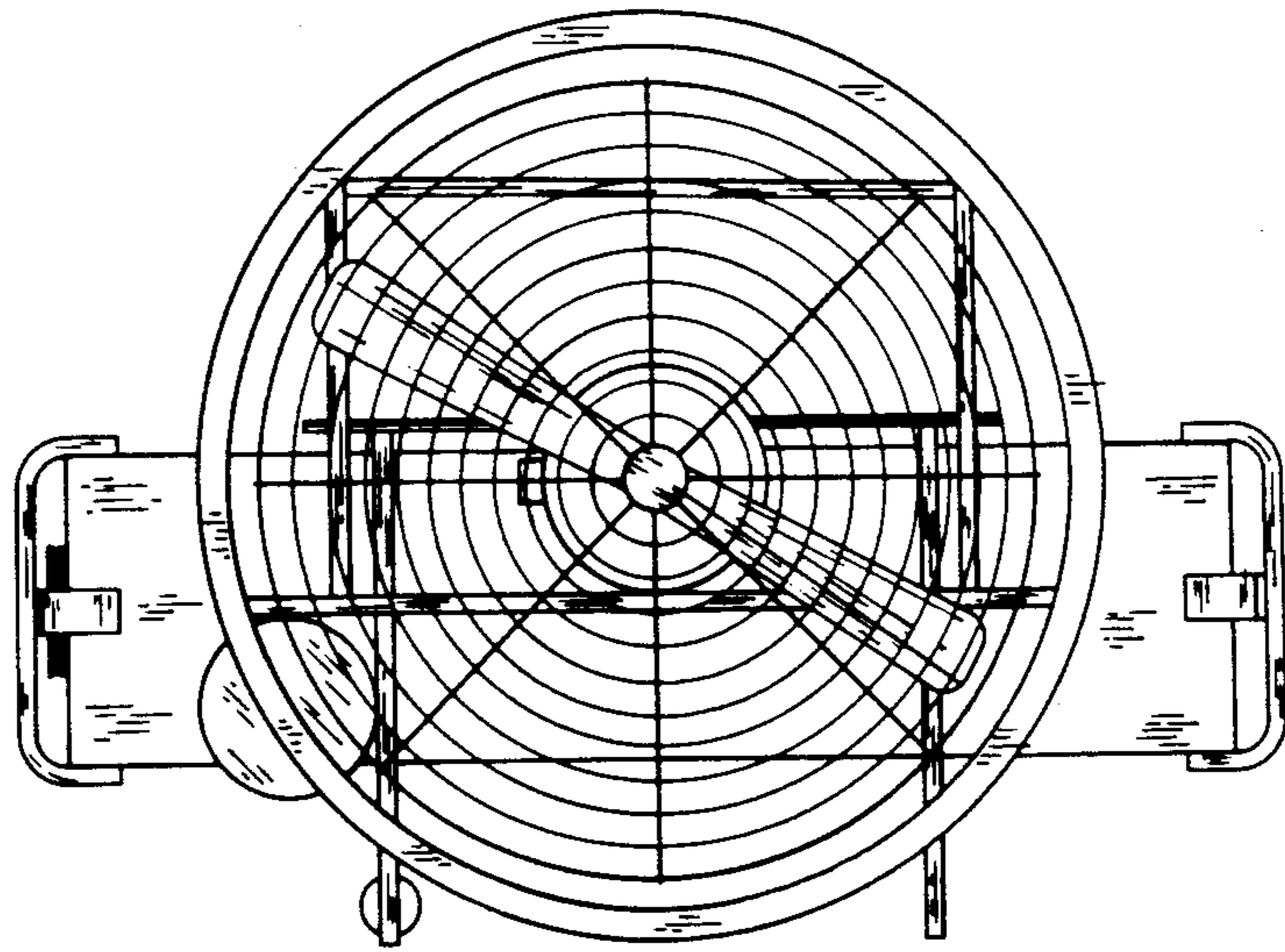


FIG. 1

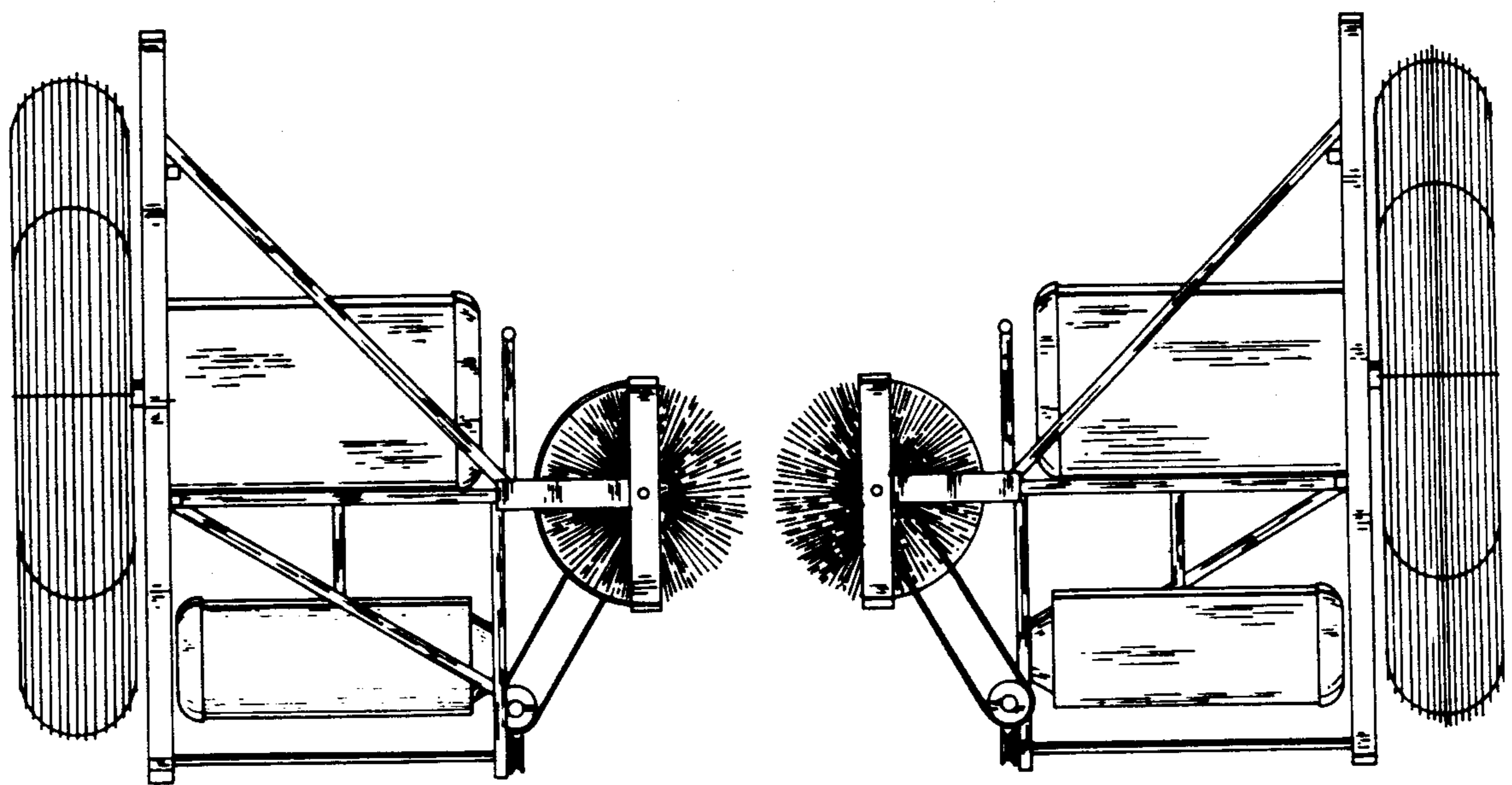


FIG. 2

FIG. 3

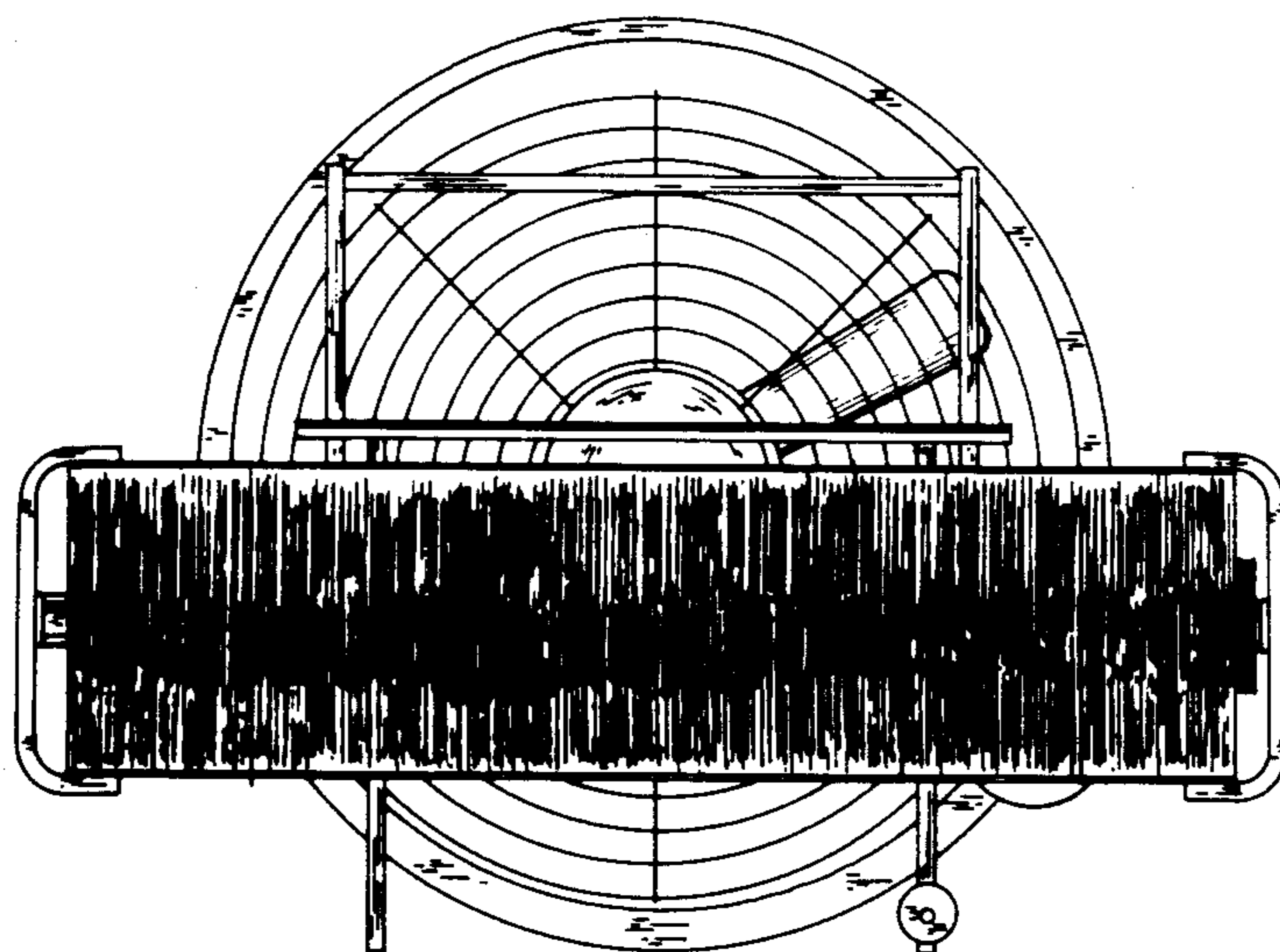


FIG. 4

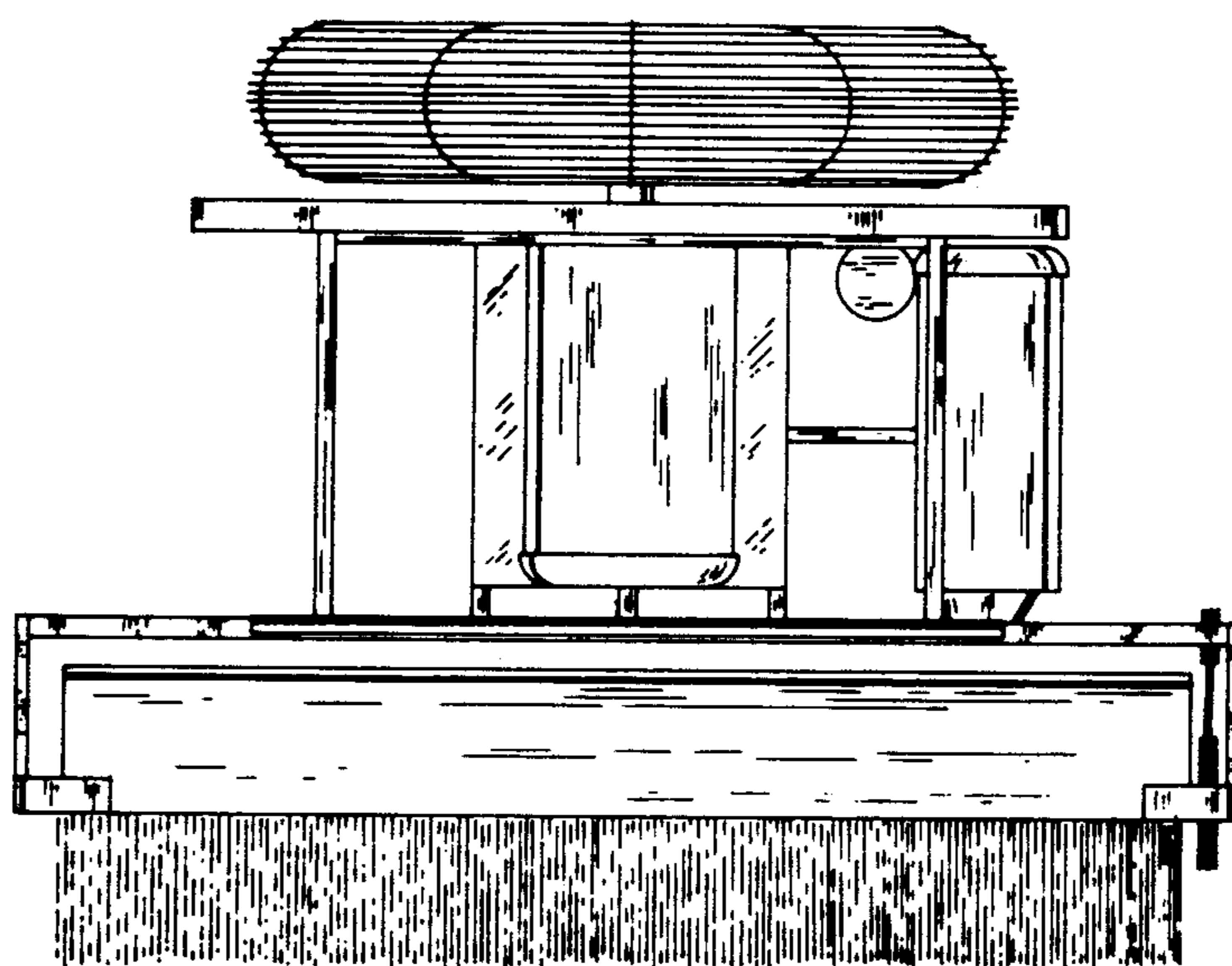


FIG. 5