

[54] PHONOGRAPH CARTRIDGE AND STYLUS ASSEMBLY

[75] Inventors: James J. Wellwood, Elmhurst; Robert L. Deschamps, Wheaton, both of Ill.

[73] Assignee: Shure Brothers Incorporated

[**] Term: 14 Years

[21] Appl. No.: 833,391

[22] Filed: Sep. 14, 1977

[51] Int. Cl. D14-01

[52] U.S. Cl. D14/28

[58] Field of Search D14/28; 274/37, 36, 274/38

[56] References Cited

U.S. PATENT DOCUMENTS

D. 235,211 5/1975 Deschamps D14/28

D. 235,661 7/1975 Deschamps D14/28
D. 245,022 7/1977 Thomsen D14/28
D. 245,433 8/1977 Thomsen et al. D14/28
3,294,405 12/1966 Pritchard 274/37

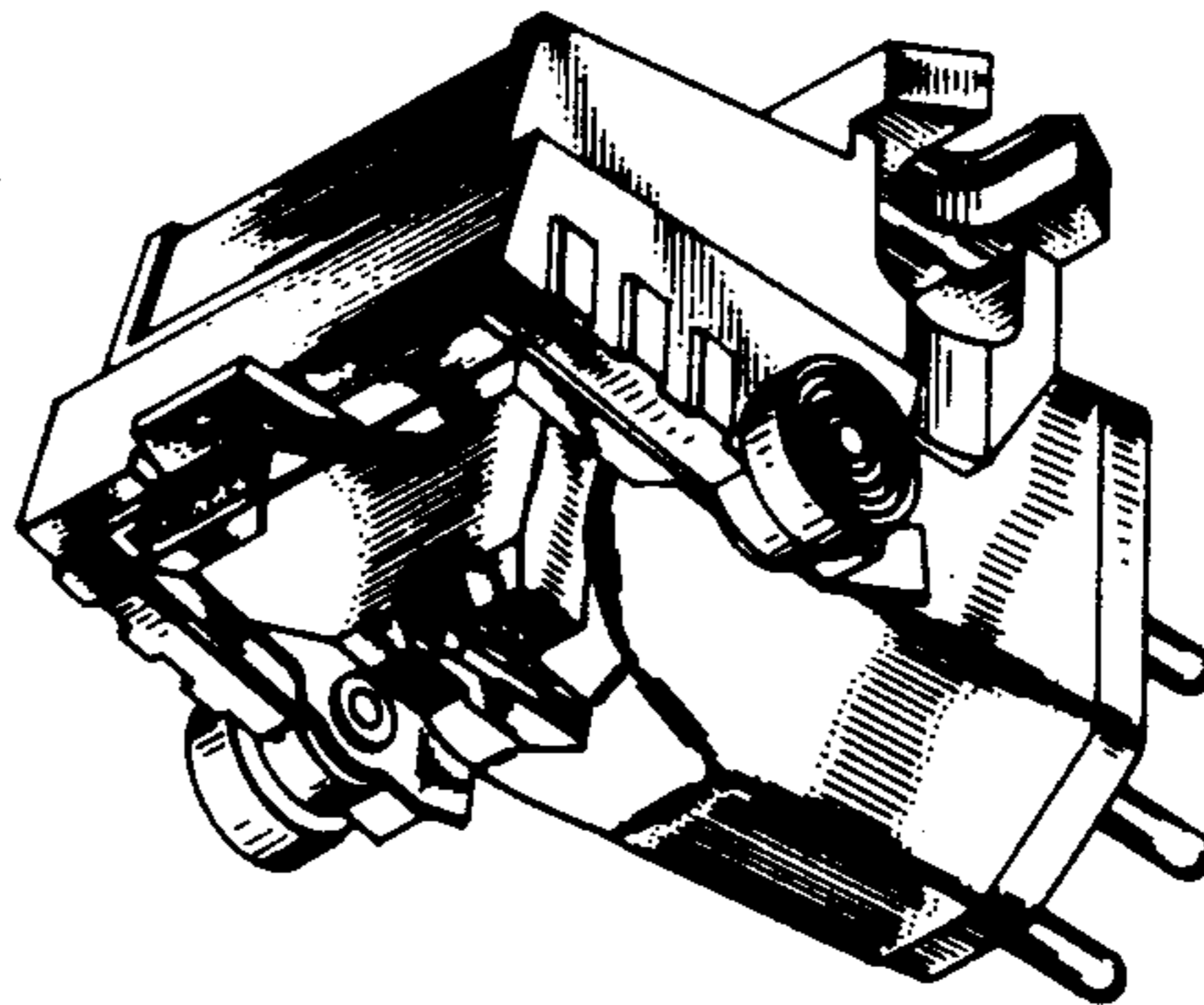
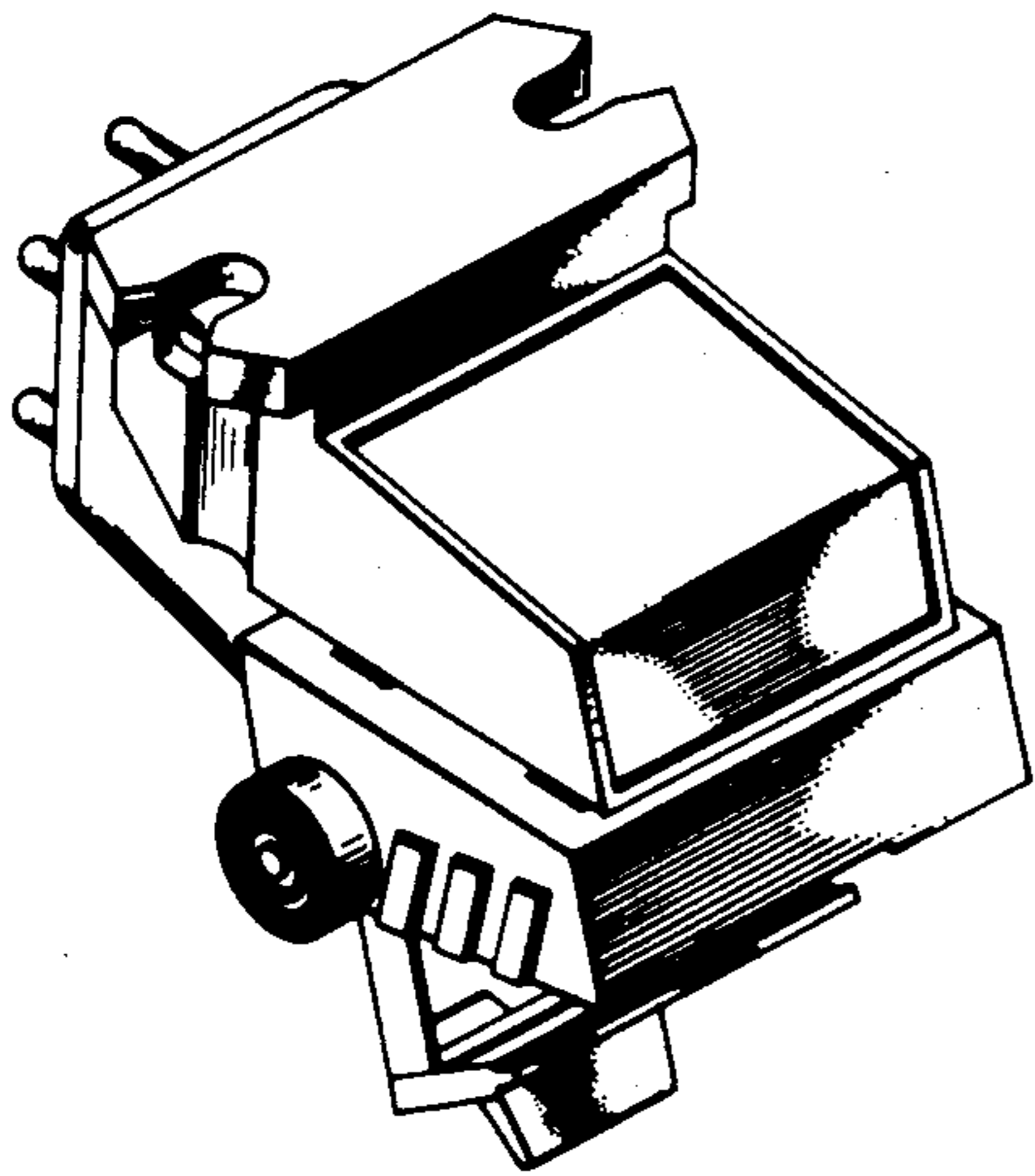
Primary Examiner—Bernard Ansher
Attorney, Agent, or Firm—George B. Newitt

[57] CLAIM

The ornamental design for a phonograph cartridge and stylus assembly, as shown and described.

DESCRIPTION

FIG. 1 is a perspective view of a phonograph cartridge and stylus assembly as shown in an inoperative position; FIG. 2 is a perspective view of a phonograph cartridge and stylus assembly as shown in an operative position; FIG. 3 is one side view thereof, the other side being substantially identical; FIG. 4 is a front view thereof; FIG. 5 is a top plan view thereof; FIG. 6 is a rear view thereof; FIG. 7 is a bottom plan view thereof;



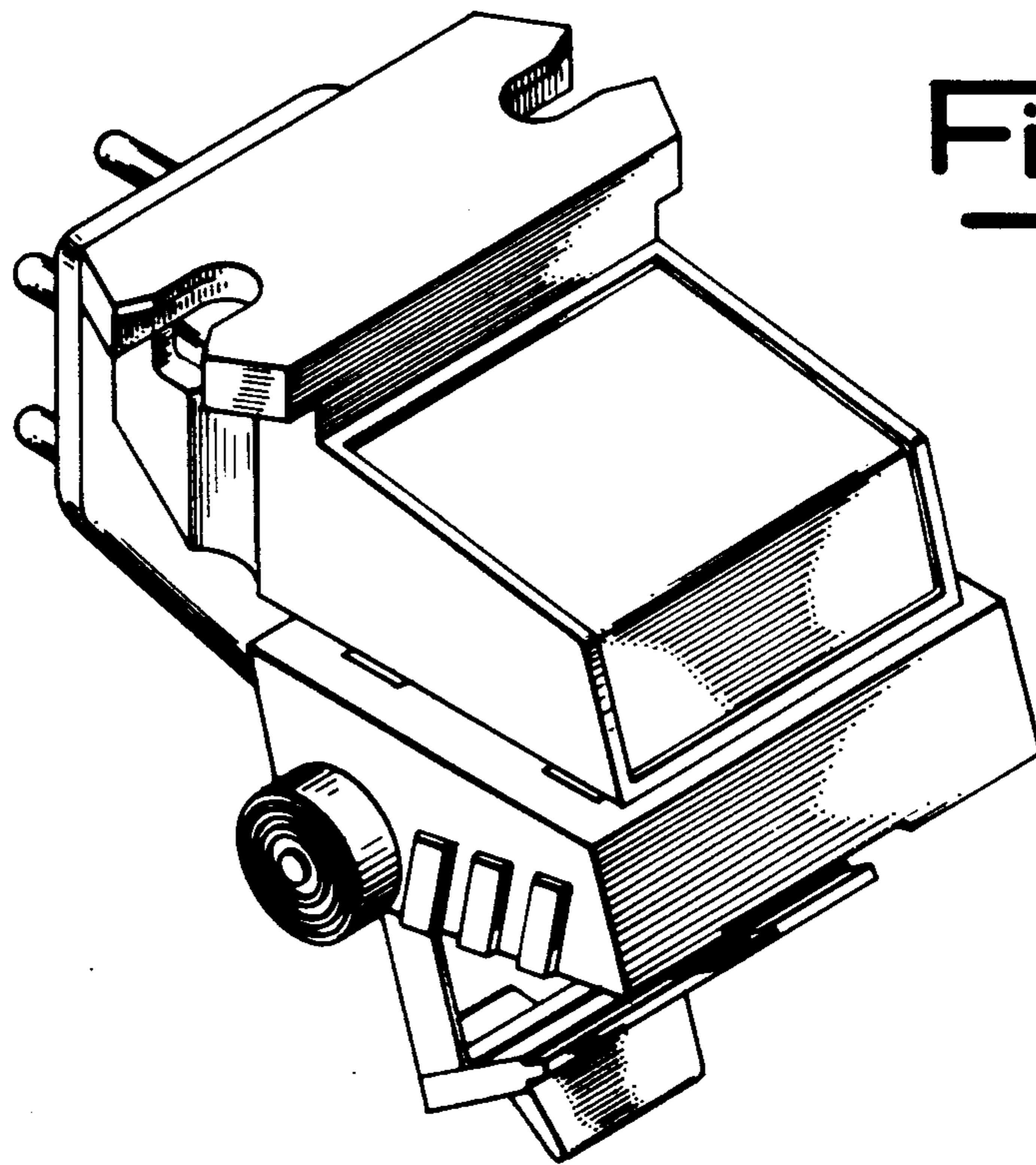


Fig. 1

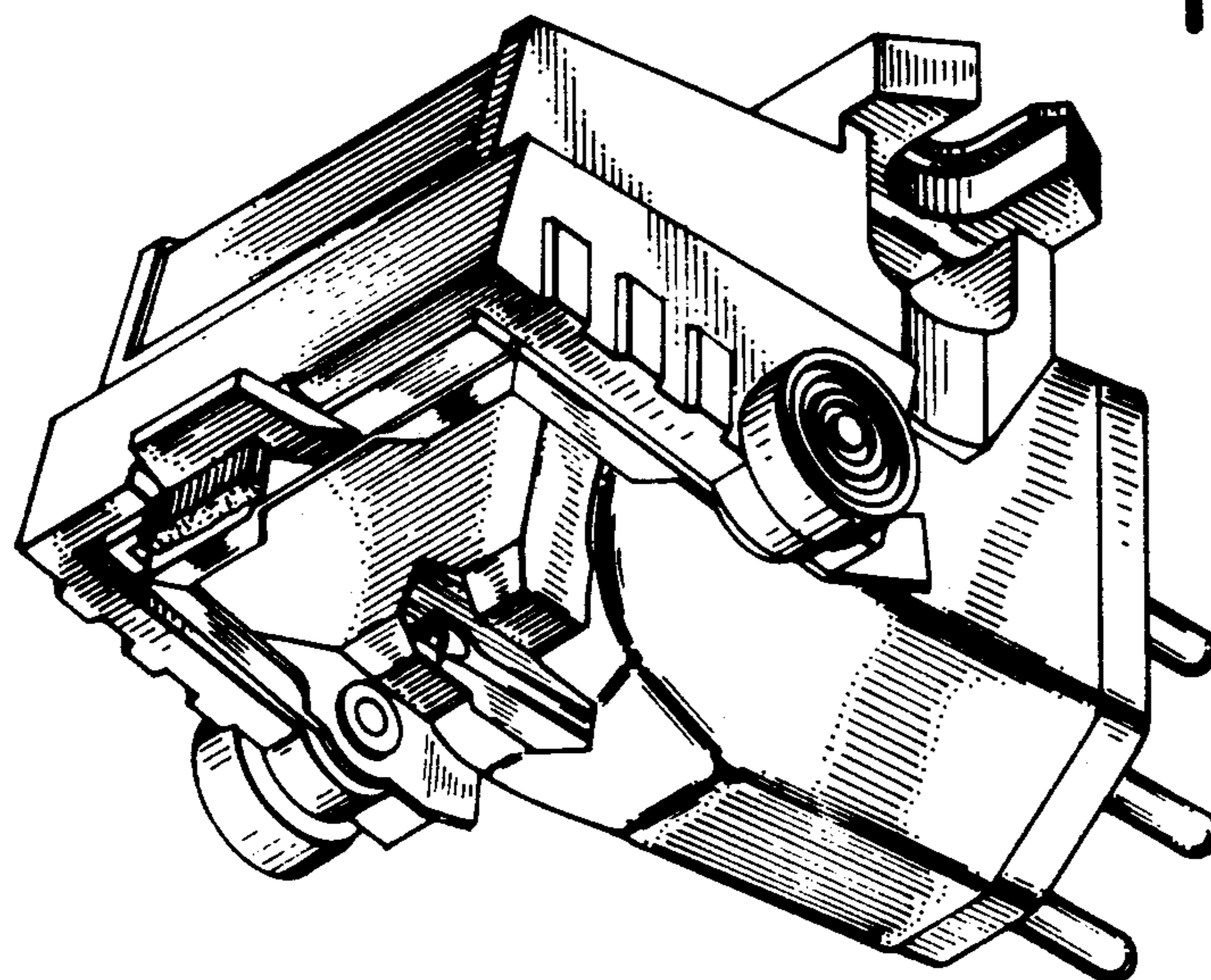


Fig. 2

Fig. 3

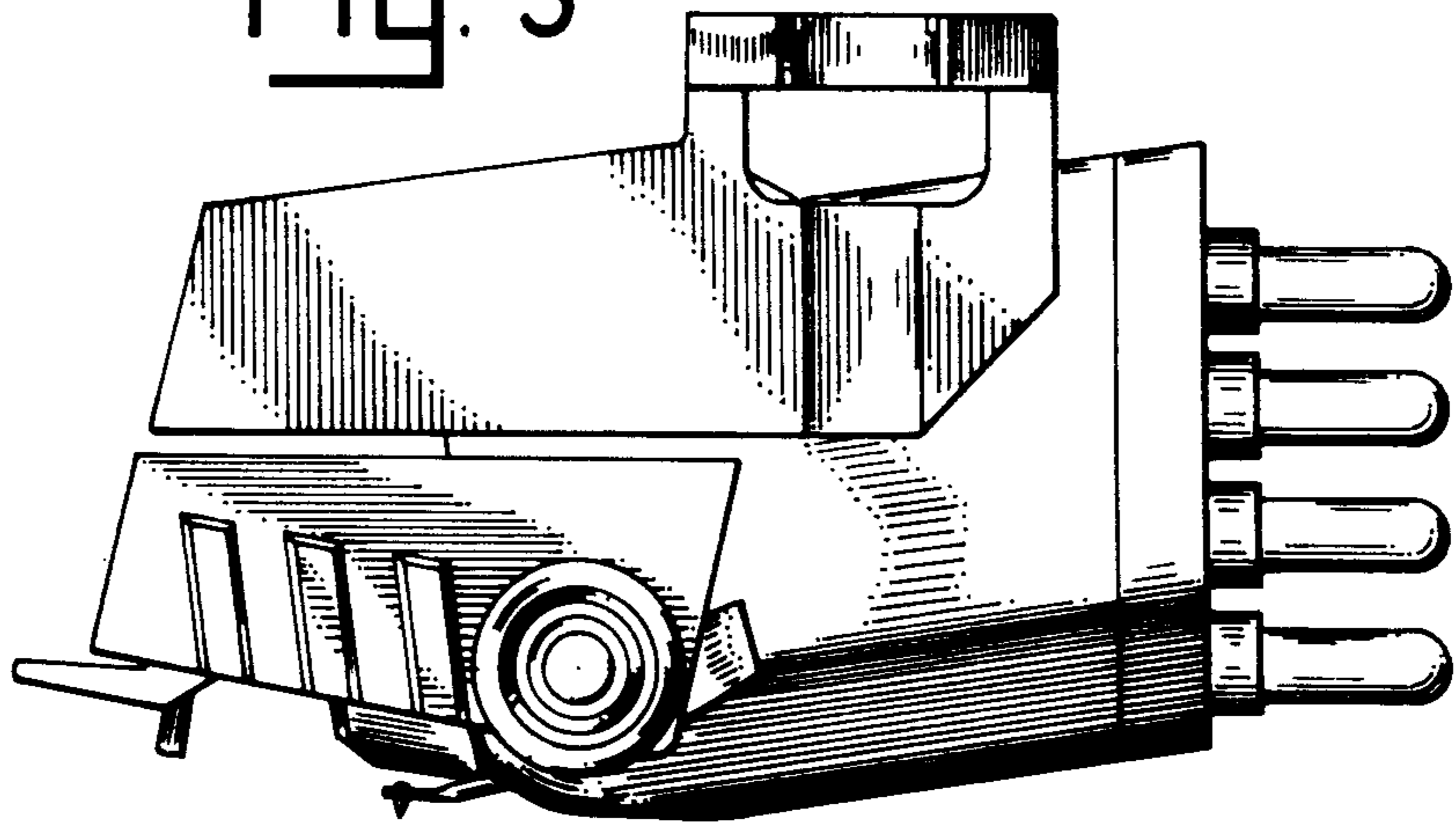


Fig. 4

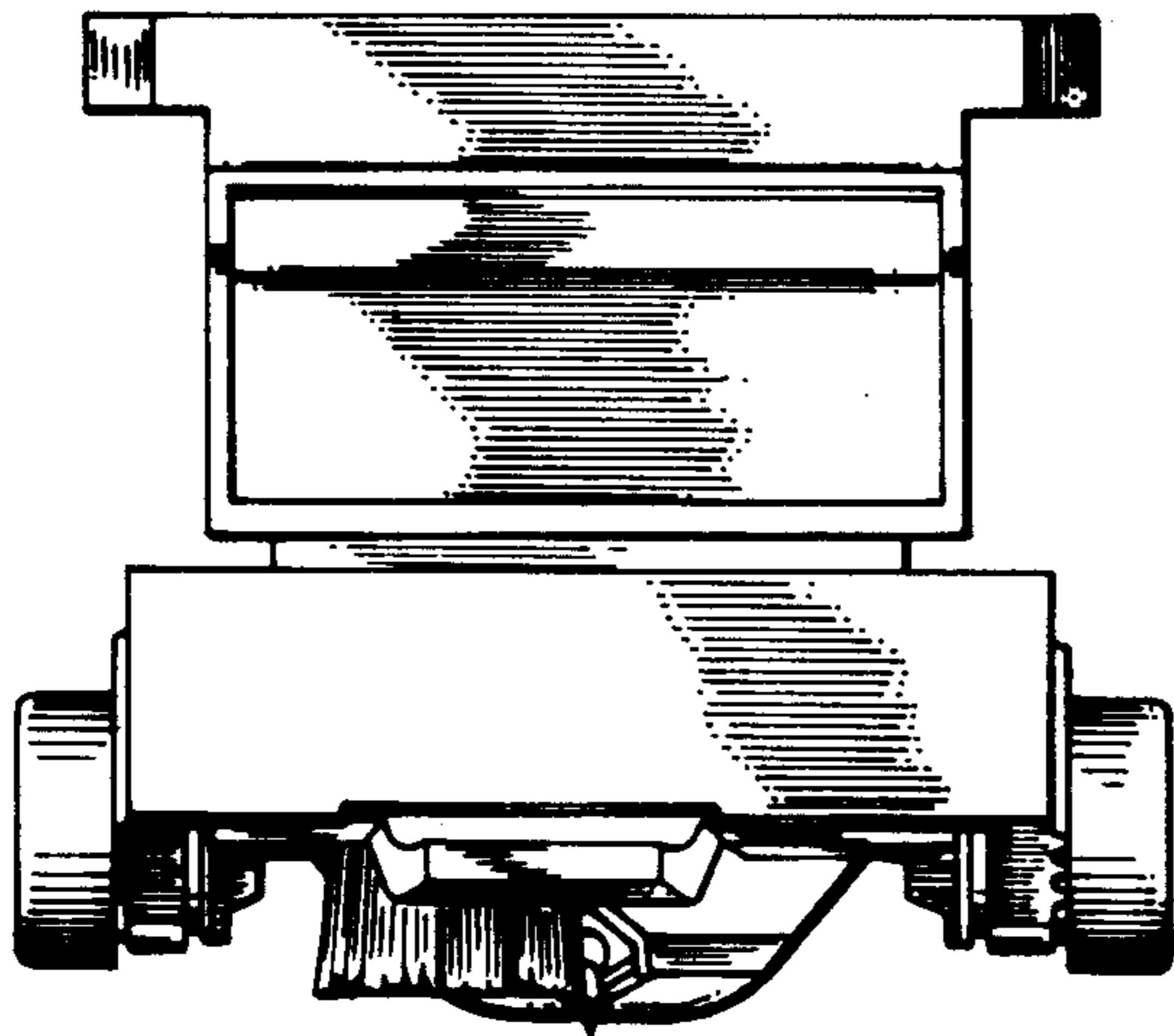


Fig. 5

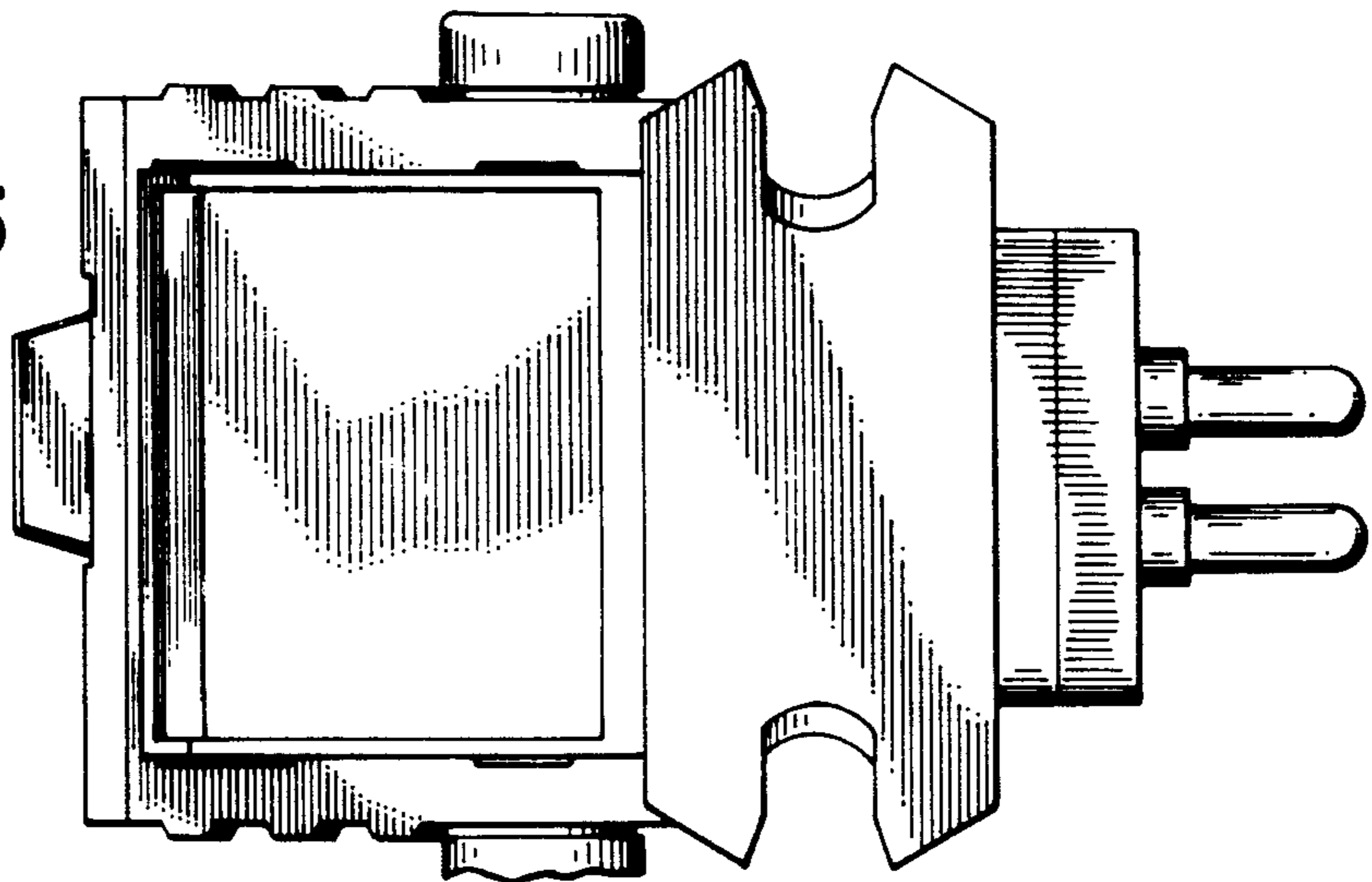


Fig. 6

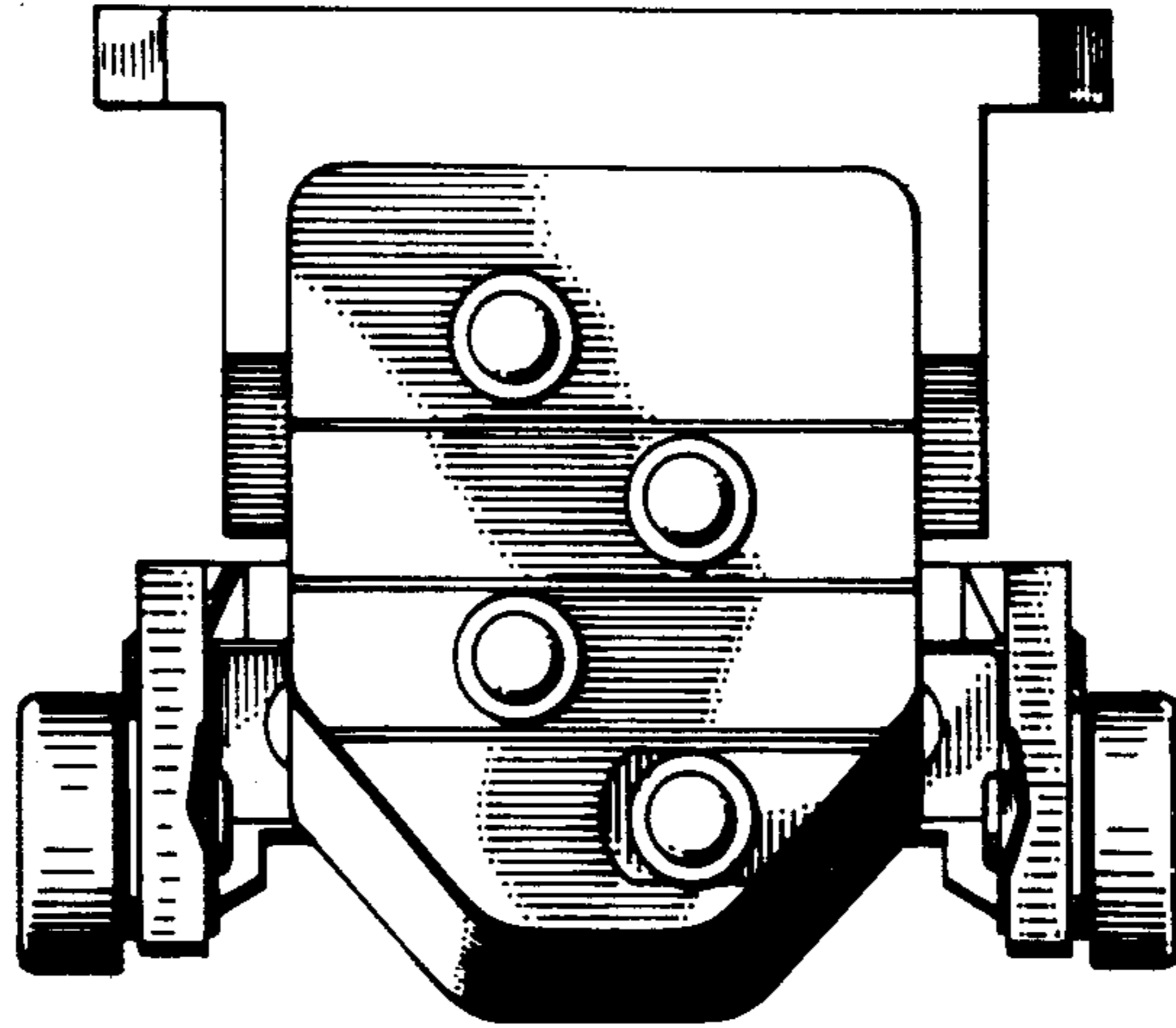


Fig. 7

