

[54] SET OF BOAT TRANSOM SWIM PLATFORM END BRACKETS

[76] Inventors: Benjamin H. Richards, 2648 Military; Charles A. Schwab, 2858 Military, both of Port Huron, Mich. 48060

[**] Term: 14 Years

[21] Appl. No.: 809,300

[22] Filed: Jun. 23, 1977

[51] Int. Cl. D21-02

[52] U.S. Cl. D12/70; D8/380; D8/381; 9/1.6; 9/1.7; 9/1.1; 108/152; D8/08

[58] Field of Search D12/70; D8/380-381; 9/1.1, 1.6, 1.7; 108/152

[56] References Cited

U.S. PATENT DOCUMENTS

| | | | | |
|------------|---------|-------------|-------|--------|
| D. 236,194 | 8/1975 | Hendrickson | | D12/70 |
| D. 245,902 | 9/1977 | Rogers | | D12/62 |
| 3,613,137 | 10/1971 | Eccles | | 9/1.6 |

Primary Examiner—Sam Rosen

Attorney, Agent, or Firm—Harness, Dickey & Pierce

[57] CLAIM

The ornamental design for a set of boat transom swim platform end brackets, substantially as shown and described.

DESCRIPTION

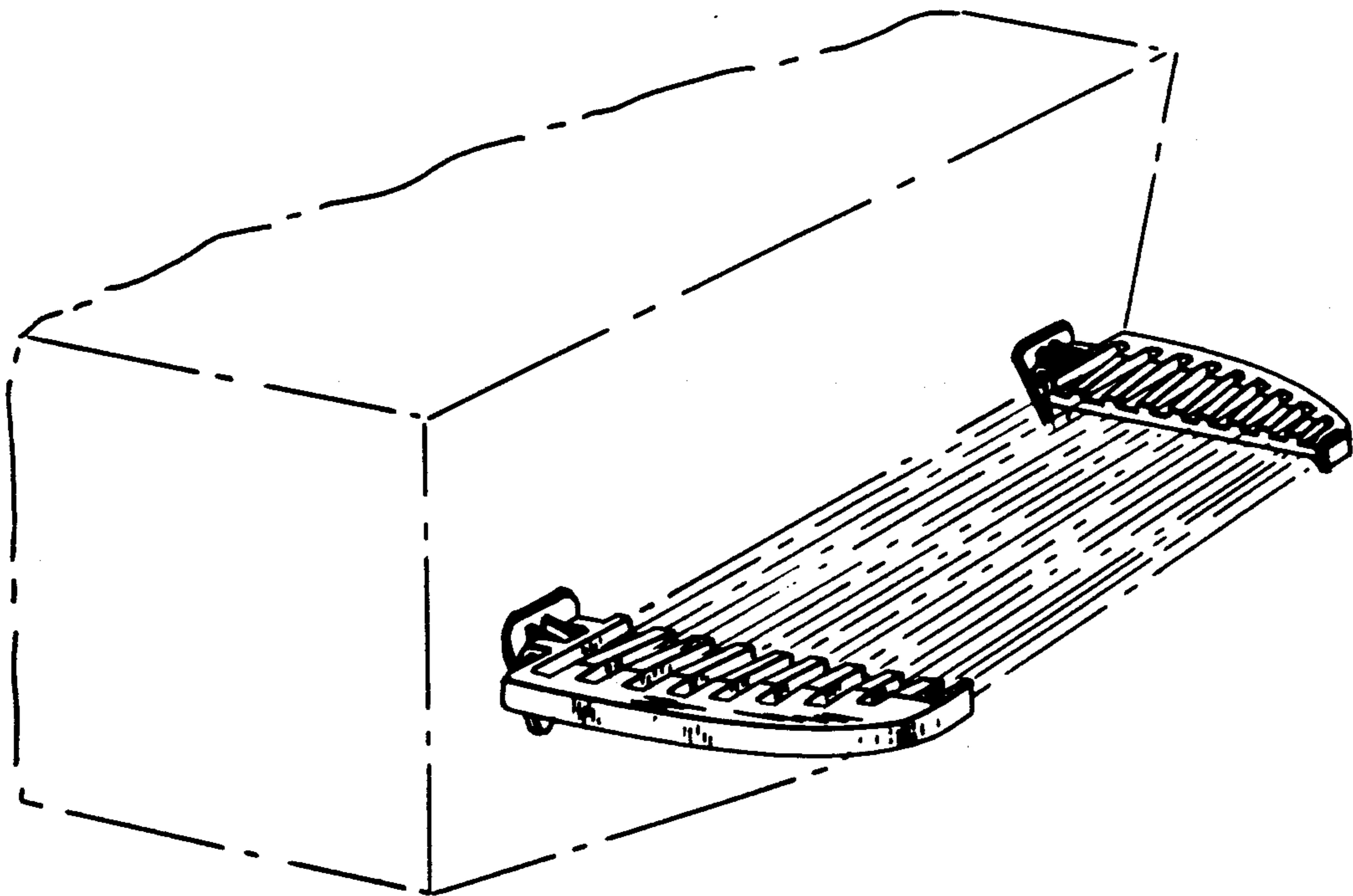
FIG. 1 is a perspective view of a left swim platform end bracket in combination with a right swim platform end bracket which is a mirror image of the left end bracket, both mounted on the transom of a boat, shown in broken lines; also, shown in broken lines between the brackets are strips or stringers; all of said broken lines being shown for illustrative purposes only.

FIG. 2 is a plan view of the left swim platform end bracket shown in FIG. 1;

FIG. 3 is a side elevational view of the outboard side of the left swim platform end bracket shown in FIGS. 1 and 2;

FIG. 4 is a side elevational view of the inboard side of the left swim platform end bracket shown in FIGS. 1 and 2; and

FIG. 5 is an end elevational view of the aft end of the left swim platform end bracket shown in FIGS. 1-4.



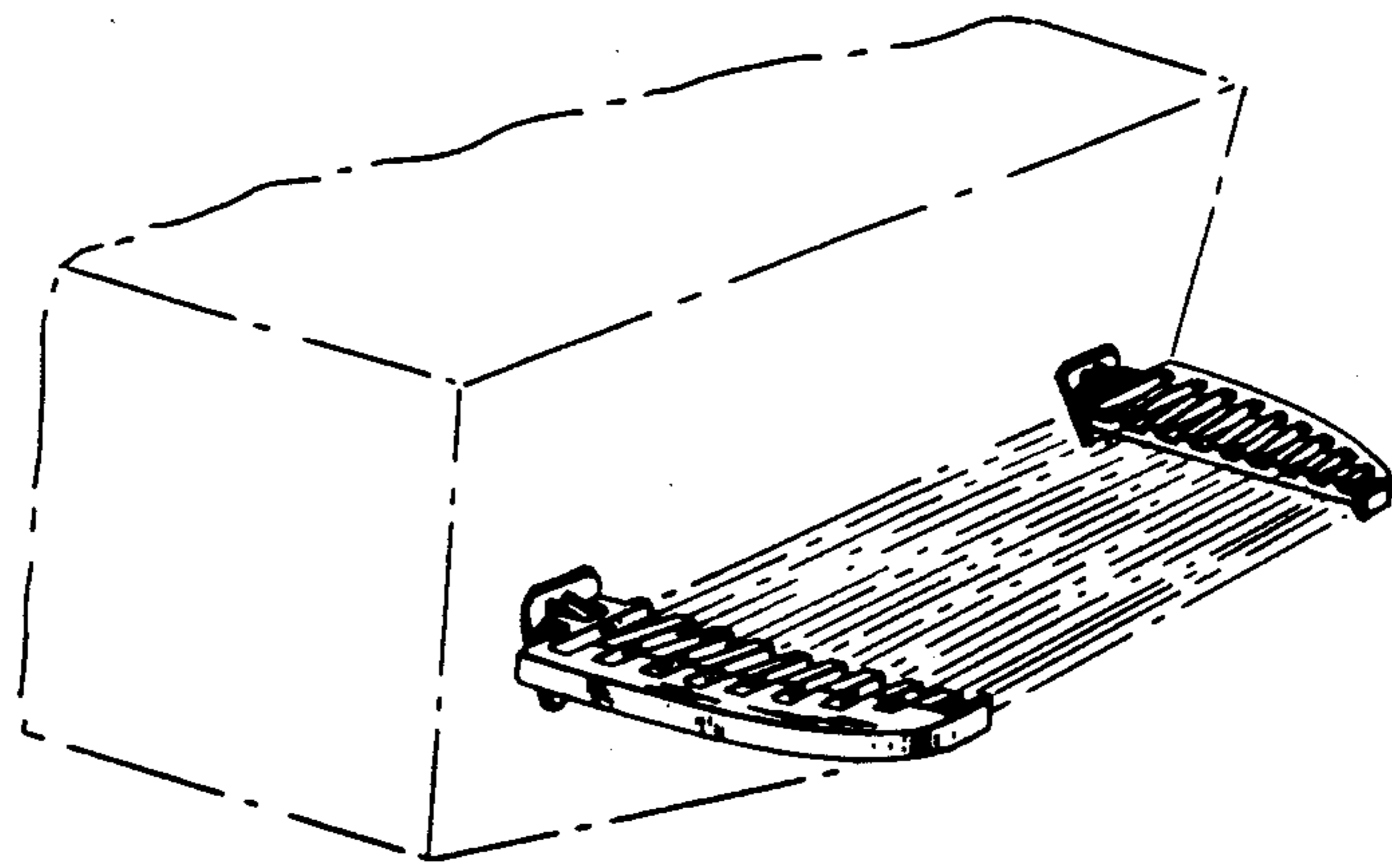


FIG. 1.

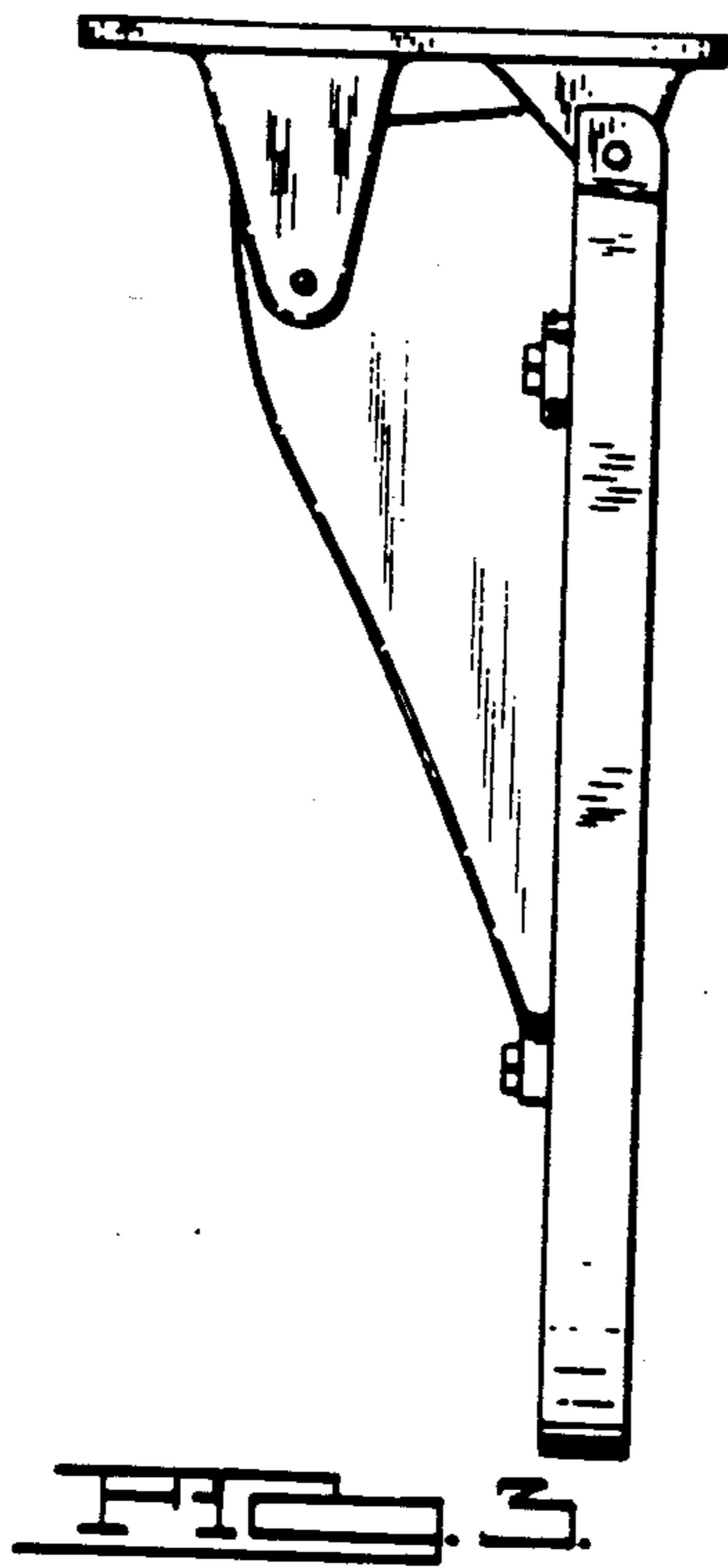


FIG. 3.

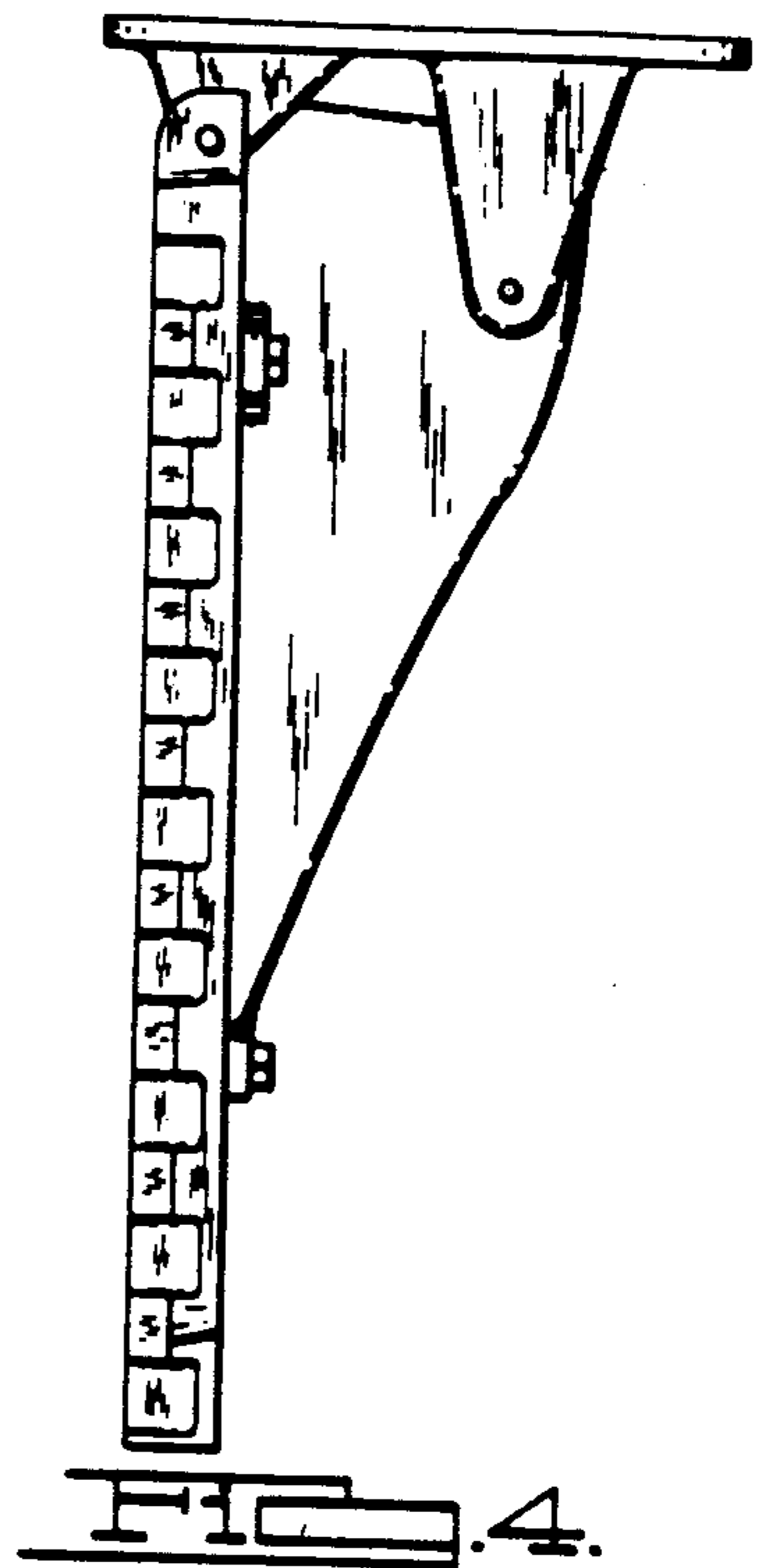
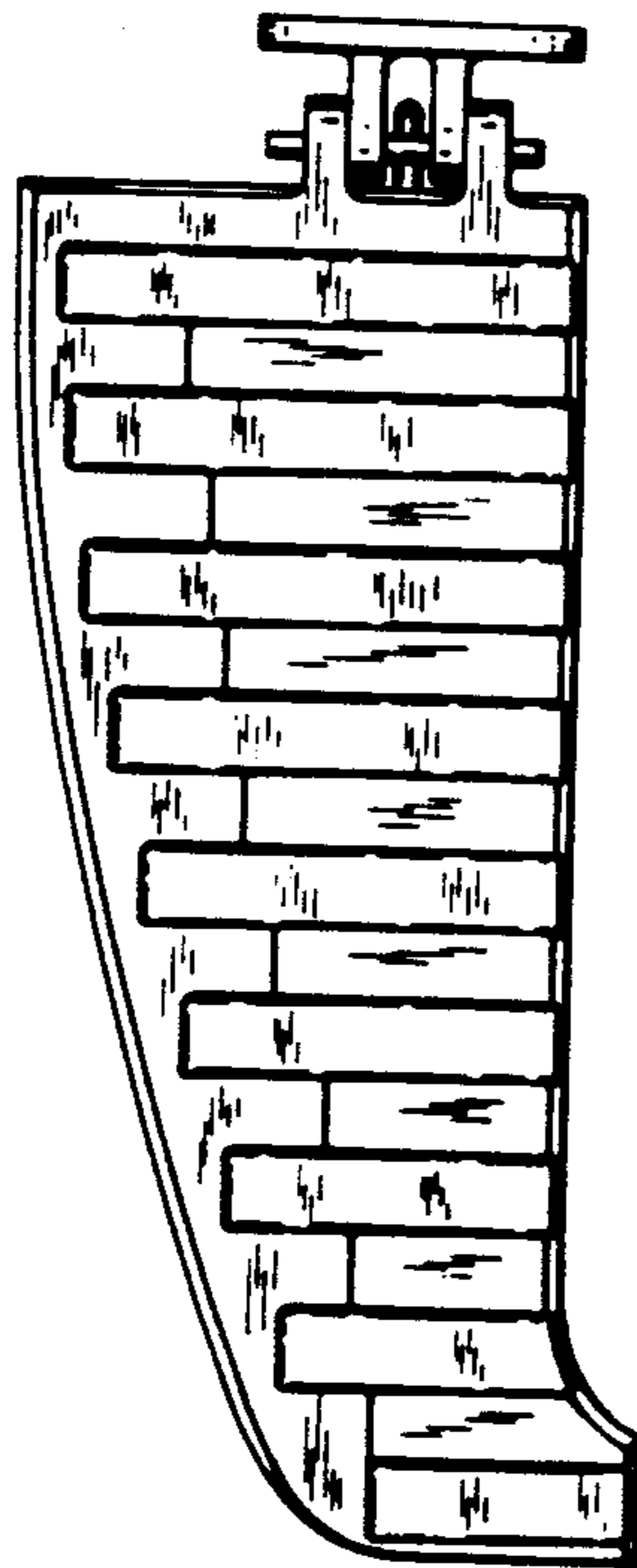


FIG. 4.

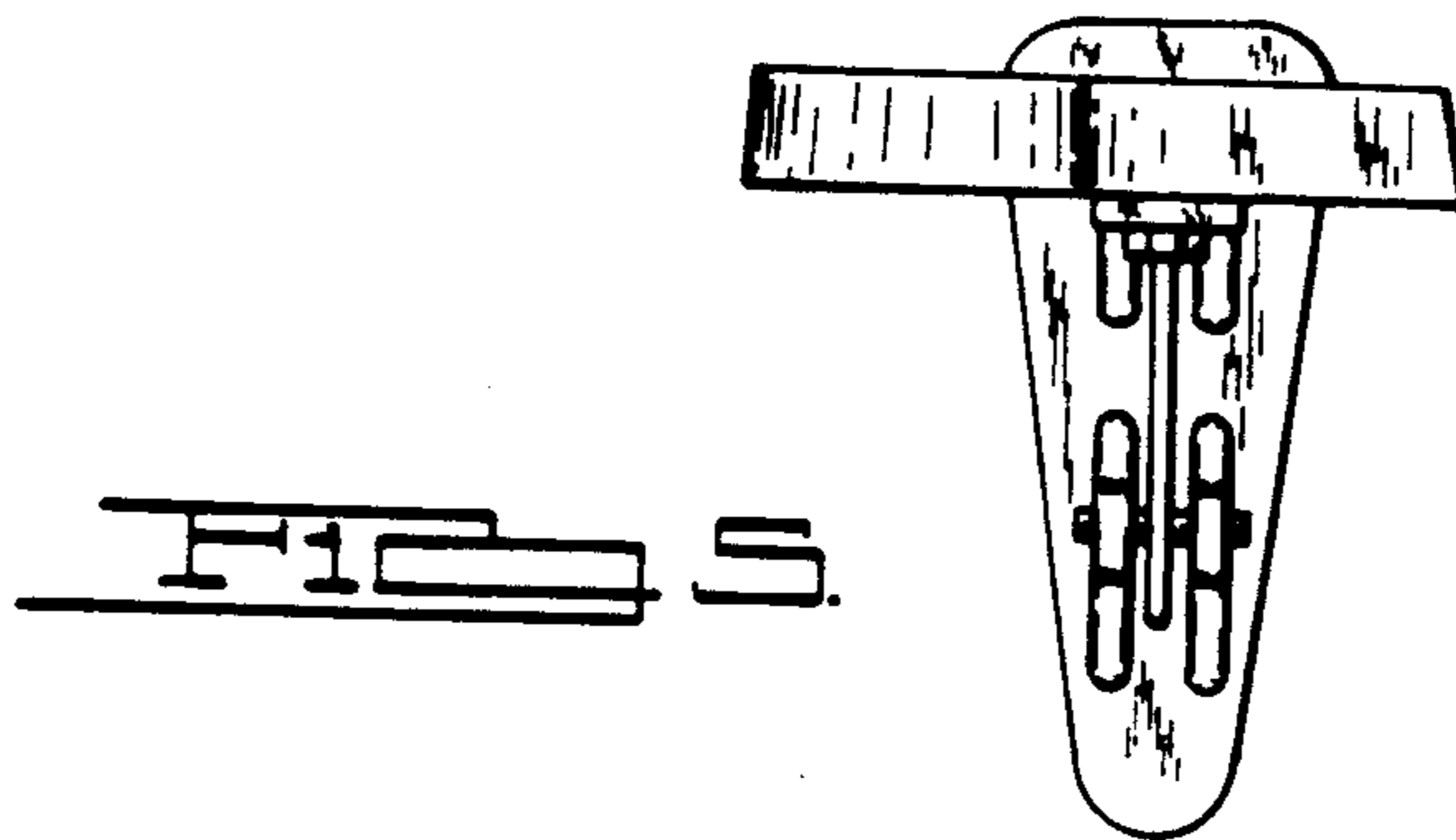


FIG. 5.