

[54] DISPENSING CONTAINER

[75] Inventors: Robert F. McCarthy; Price D. Carter, both of Cincinnati, Ohio

[73] Assignee: The Procter & Gamble Company, Cincinnati, Ohio

[\*\*] Term: 14 Years

[21] Appl. No.: 777,492

[22] Filed: Mar. 11, 1977

[51] Int. Cl. .... D9-03

[52] U.S. Cl. .... D9/239

[58] Field of Search ..... D7/16, 18, 79, 3; D27/45; D9/194, 175, 222, 237-240

[56] References Cited

U.S. PATENT DOCUMENTS

D. 122,041	8/1940	Baer	.....	D27/45 X
D. 173,945	2/1955	Hopson	.....	D27/45
D. 183,346	8/1958	Hardy	.....	D7/79

D. 207,658	5/1967	Wagner et al.	.....	D7/79
D. 220,084	3/1971	Goodrich	.....	D9/175
D. 229,171	11/1973	Duhy	.....	D9/240
3,195,785	7/1965	Oram	.....	D9/218 X

OTHER PUBLICATIONS

Chris Craft Gifts and Gear, Apr. 5, 1976, p. 44, Melamine Dinnerware, upper right corner.

Primary Examiner—Robert C. Spangler  
Attorney, Agent, or Firm—John V. Gorman

[57] CLAIM

The ornamental design for a dispensing container, substantially as shown and described.

DESCRIPTION

FIG. 1 is a perspective view of a dispensing container embodying our new design;

FIG. 2 is an elevation cross-sectional view taken along the line 2-2 of FIG. 1.

The two sides of the dispensing container which are not shown are identical to the sides shown.

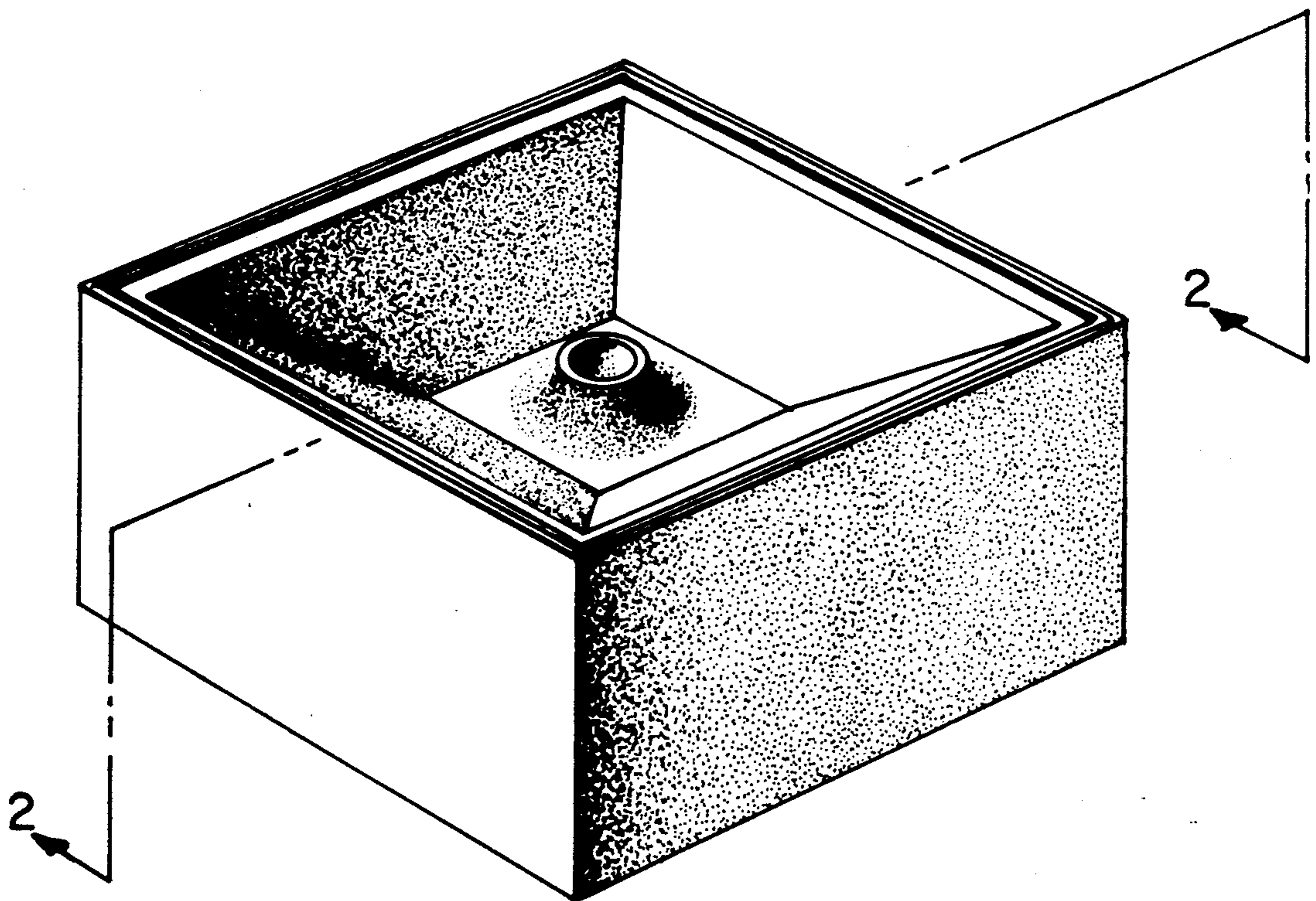


Fig. 1

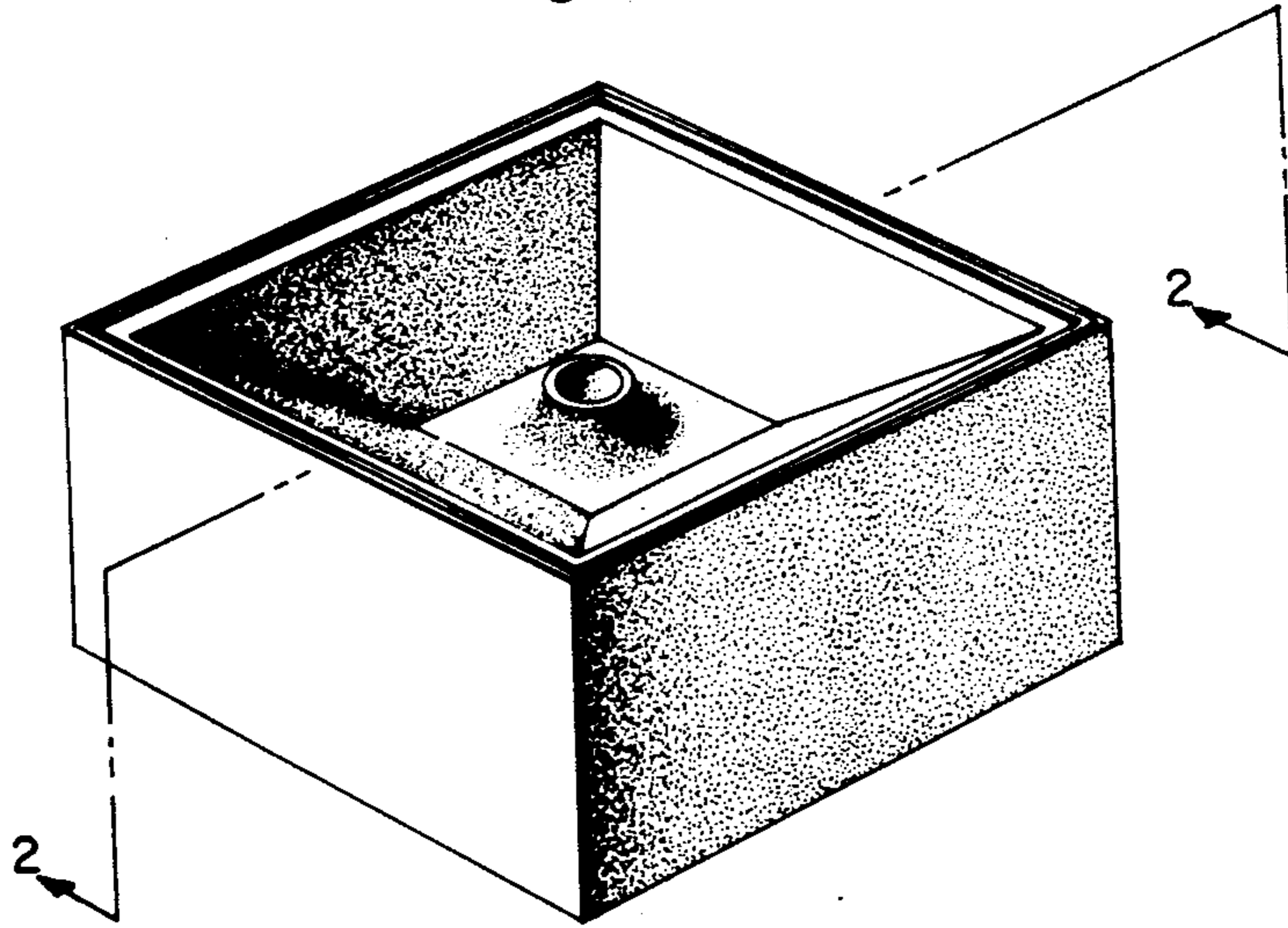


Fig. 2

