

[54] INFLATABLE CUSHION

[76] Inventor: **Kenneth L. McRight**, 7456 S. Oswego, Tulsa, Okla. 74135

[\*\*] Term: **14 Years**

[21] Appl. No.: **763,976**

[22] Filed: **Jan. 31, 1977**

[51] Int. Cl. .... **D6-09**

[52] U.S. Cl. .... **D6/204; D6/201**

[58] Field of Search ..... **D6/197, 200-204; D24/64, 34, 99; D34/15 FF, 15 GG, 43; 5/338; 128/68**

[56] **References Cited**

**U.S. PATENT DOCUMENTS**

D. 93,703	10/1934	Coomber .....	D6/204
D. 107,520	12/1937	Johnson .....	D6/204
3,416,169	12/1968	Emery .....	D6/204

**OTHER PUBLICATIONS**

*Skin Diver*, 7-67, p. 51, item #64 (VM989.S5).  
Montgomery Ward Spring '76 Cat., Chicago Ed., p. 1098, "P" Cushions.

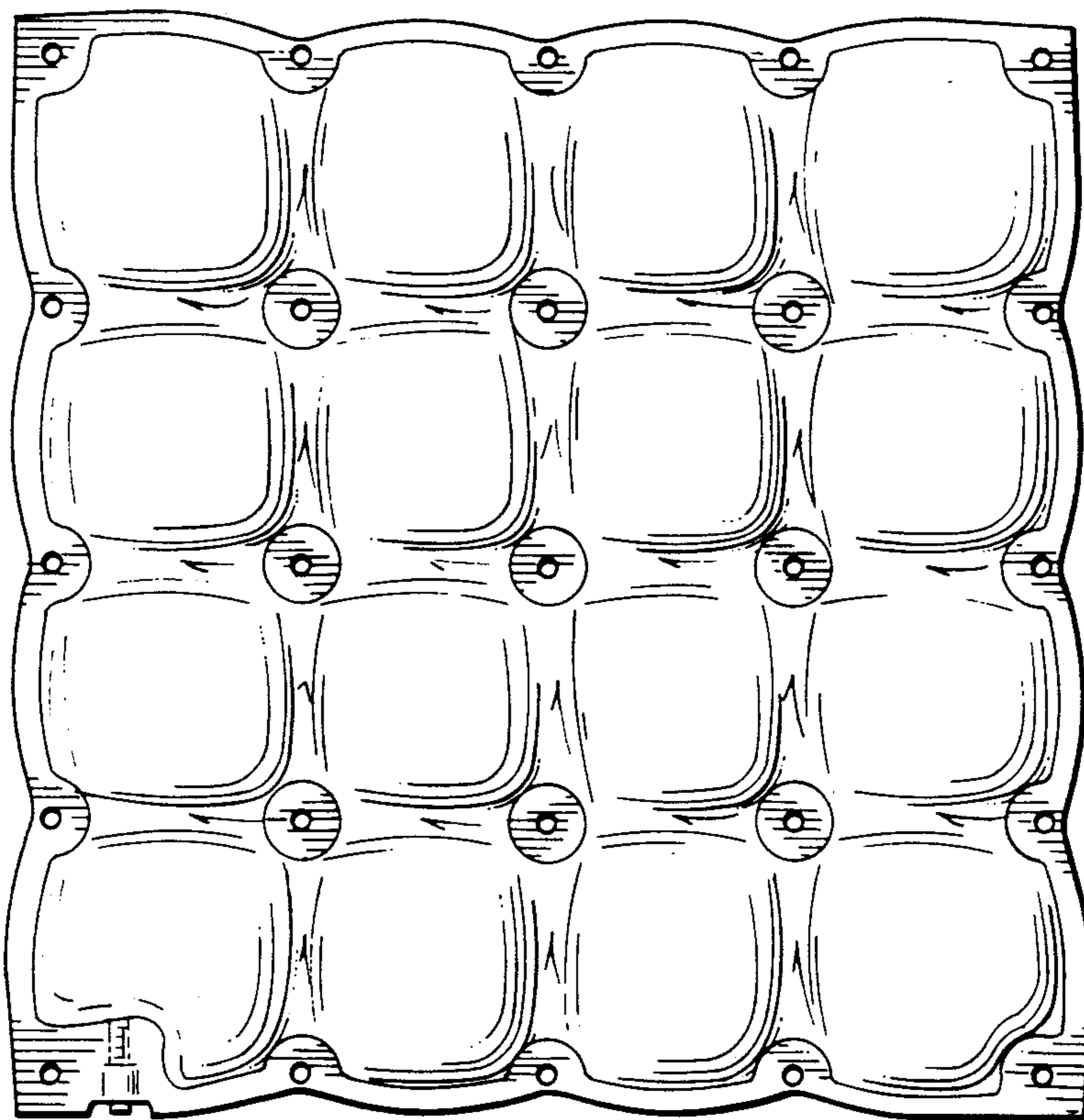
*Primary Examiner*—Joel Stearman  
*Assistant Examiner*—Jane E. Corrigan  
*Attorney, Agent, or Firm*—James R. Head

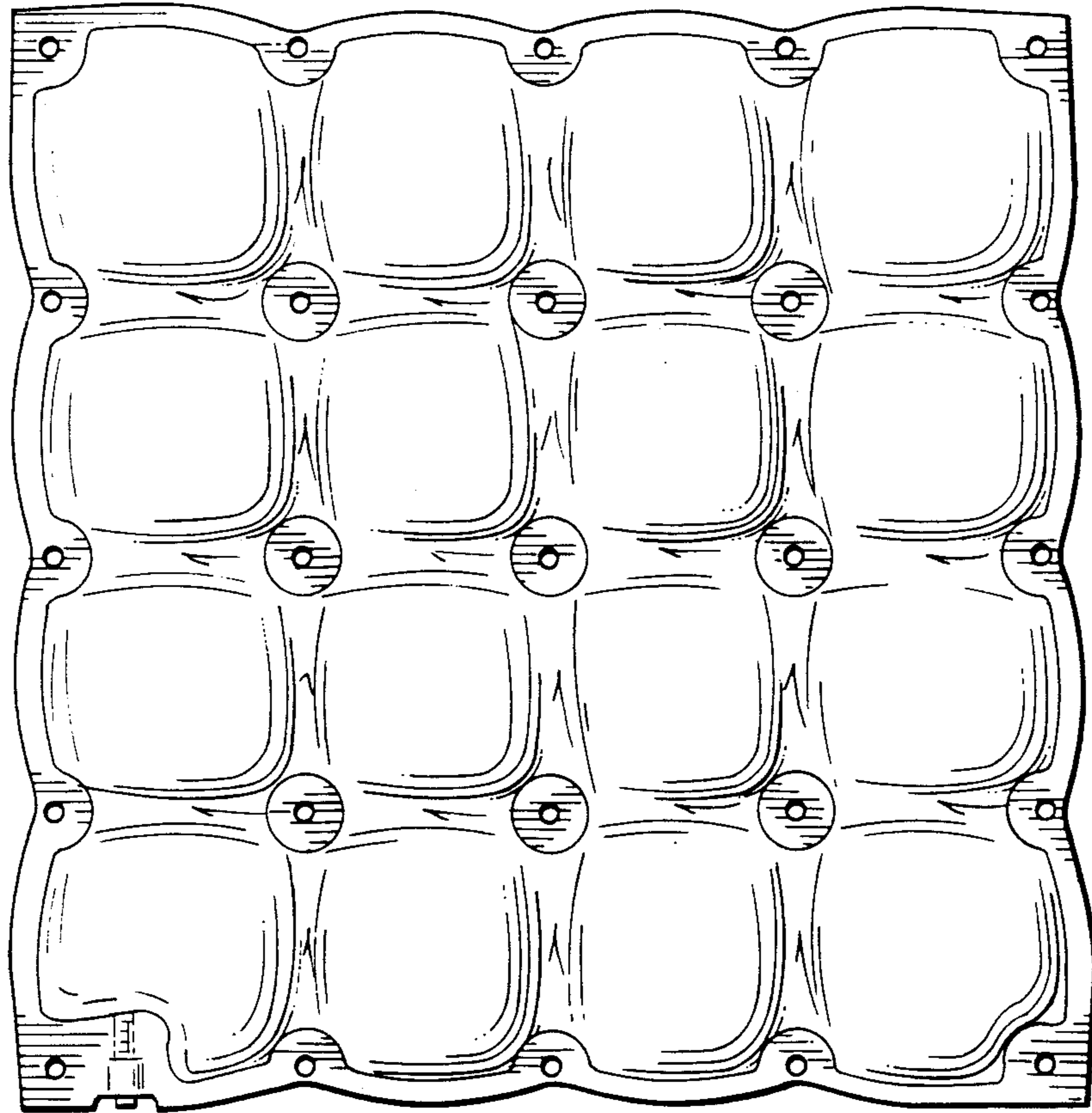
[57] **CLAIM**

The ornamental design for an inflatable cushion, substantially as shown.

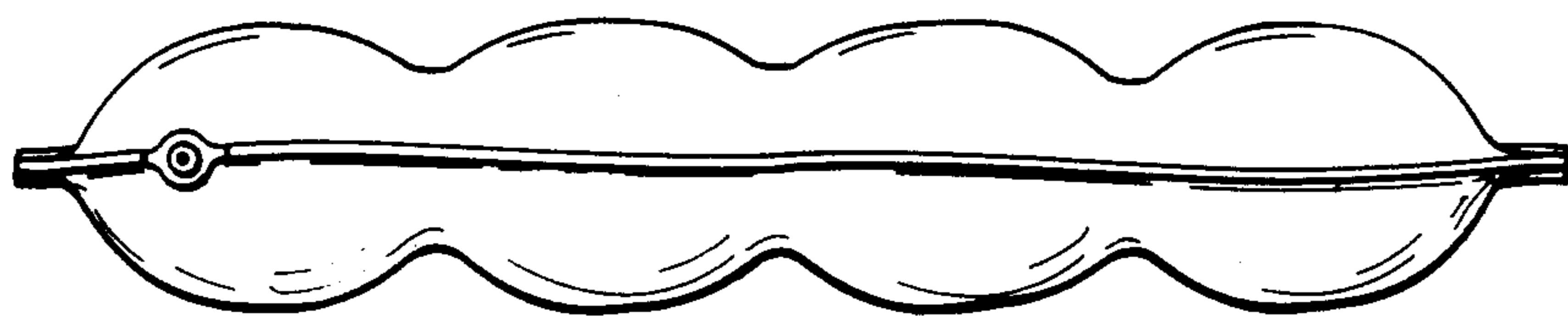
**DESCRIPTION**

FIG. 1 is a top plan view of an inflatable cushion showing my new design;  
FIG. 2 is a bottom plan view;  
FIG. 3 is a front elevational view;  
FIG. 4 is a left side elevational view;  
FIG. 5 is a right side elevational view; and  
FIG. 6 is a rear elevational view.

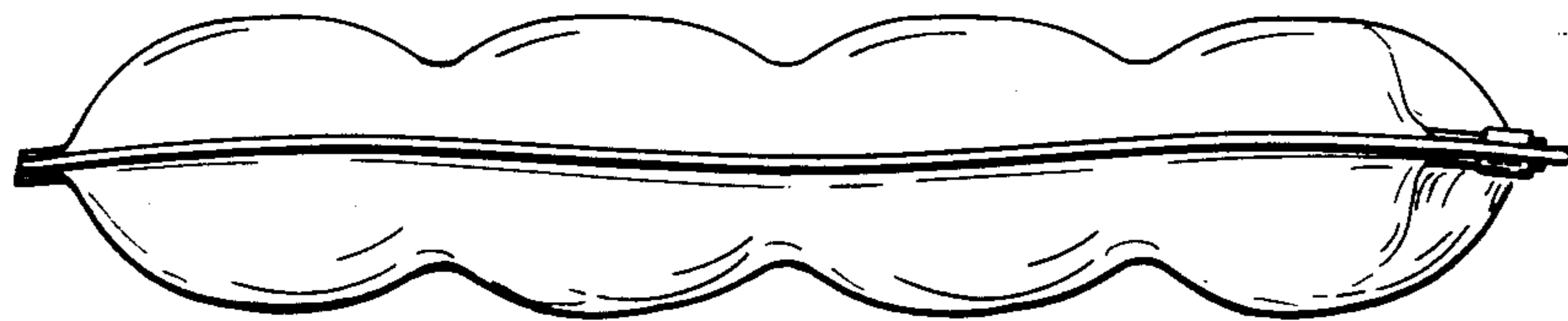




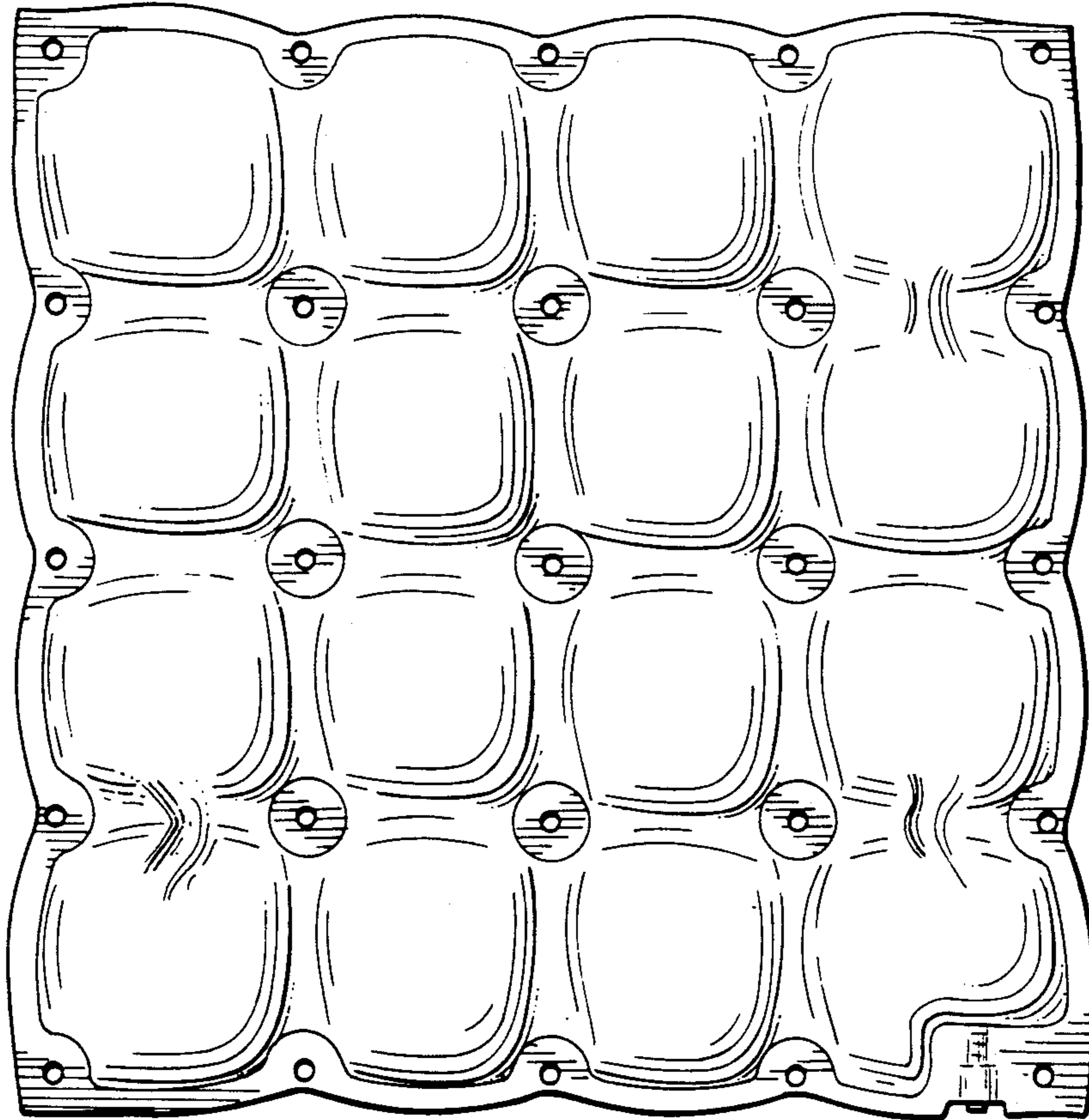
*Fig. 1*



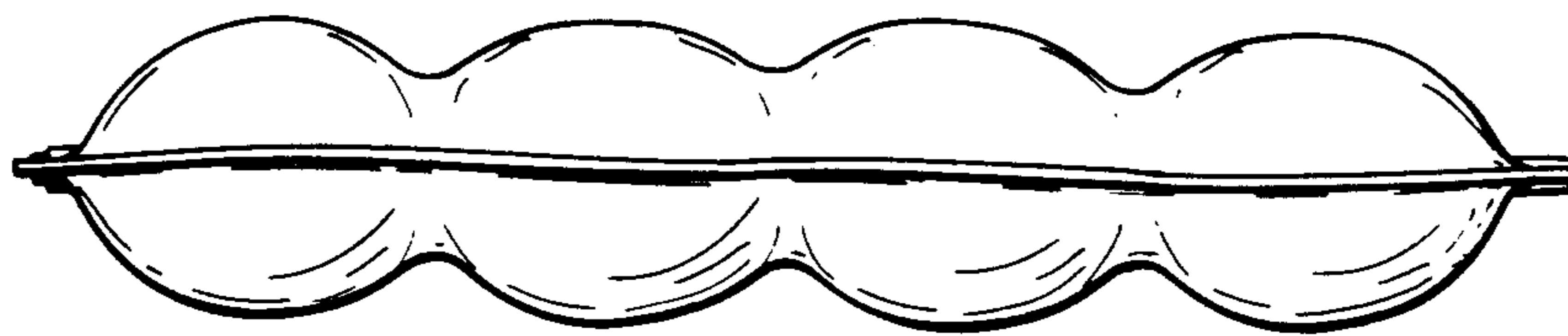
*Fig. 3*



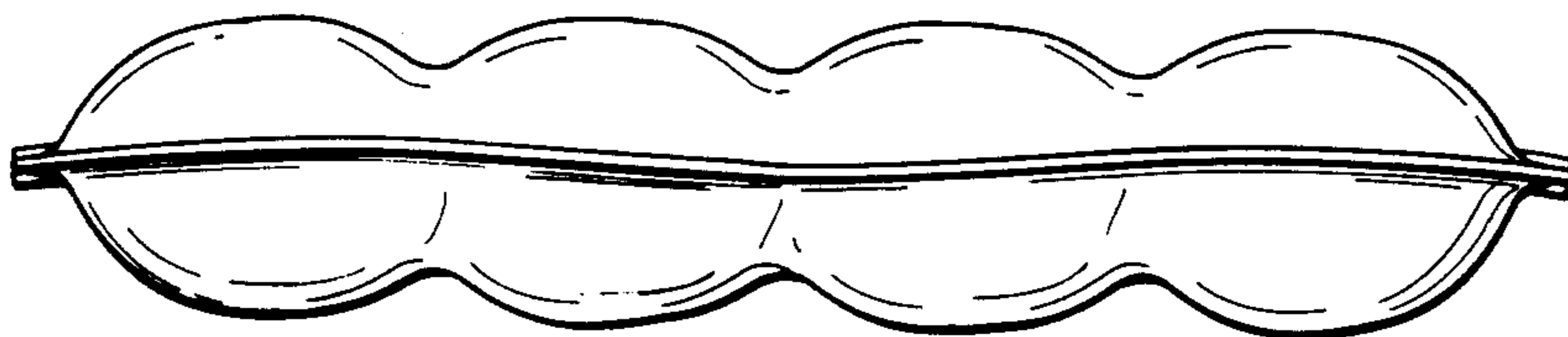
*Fig. 4*



*Fig. 2*



*Fig. 5*



*Fig. 6*