

[54] READING STAND FOR EXERCISER

[76] Inventors: **Albert J. Fritz**, 1716 Shawnee Trail, Northbrook, Ill. 60062; **Norman Centeny**, 8022 W. Leland, Norridge, Ill. 60656; **Sigfrid Pantoja**, 8737 W. 98th St., Palos Holls, Ill. 60465

[\*\*] Term: **14 Years**

[21] Appl. No.: **833,603**

[22] Filed: **Sep. 15, 1977**

[51] Int. Cl. .... **D6-99**

[52] U.S. Cl. .... **D6/184; D6/18; D6/85**

[58] Field of Search ..... **D6/184, 185; D19/91; 248/441 B, 444, 455, 457**

[56] **References Cited**

**U.S. PATENT DOCUMENTS**

D. 239,899 5/1976 **Malcolm** ..... **D6/18**

|           |        |                  |       |             |
|-----------|--------|------------------|-------|-------------|
| 1,391,112 | 9/1921 | Hinzman          | ..... | 248/457     |
| 2,156,225 | 4/1939 | O'Meara          | ..... | 248/457 X   |
| 2,538,318 | 1/1951 | Mitchell         | ..... | 248/455 X   |
| 2,634,542 | 4/1953 | Bode             | ..... | 248/457     |
| 3,104,895 | 9/1963 | Feverbach et al. | ..... | 248/455     |
| 3,497,882 | 3/1970 | Weeks            | ..... | 248/441 B X |

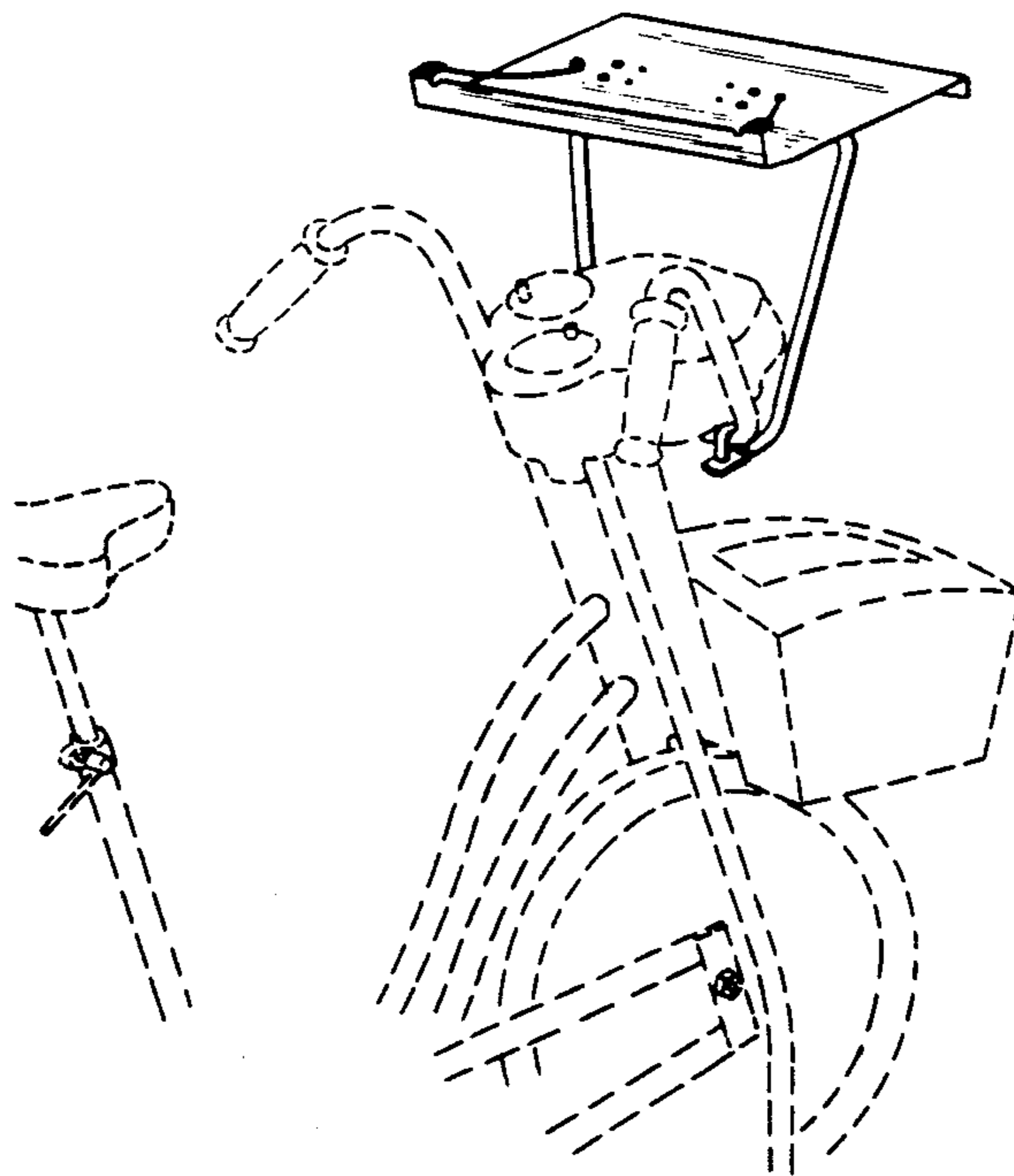
*Primary Examiner*—Bruce W. Dunkins  
*Attorney, Agent, or Firm*—William E. Lucas

[57] **CLAIM**

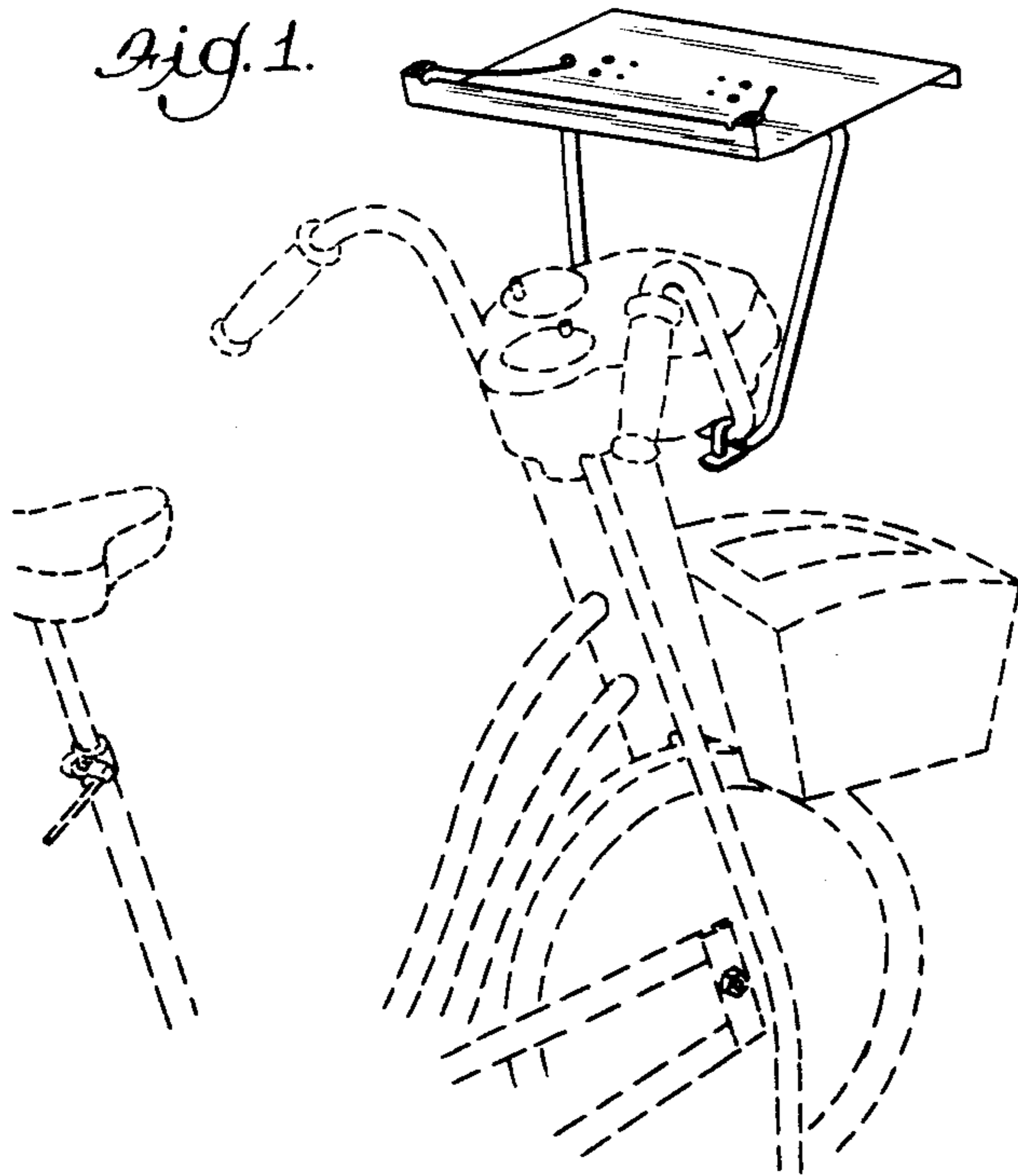
The ornamental design for a reading stand for exerciser, as shown and described.

**DESCRIPTION**

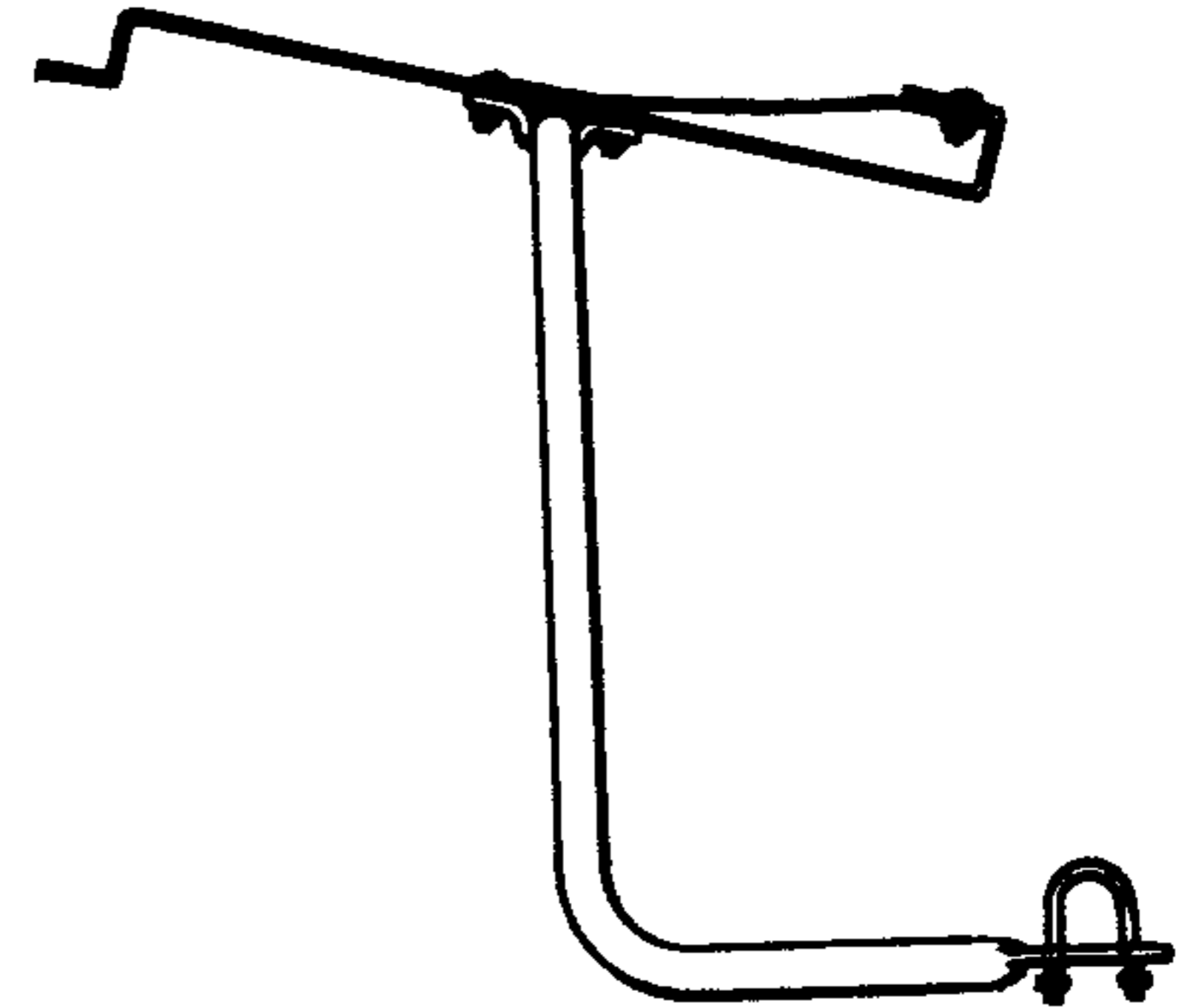
FIG. 1 is a reading stand for exerciser showing our design, an exerciser fragment being shown therein in dotted lines for illustrative purposes only. FIG. 2 is a side elevational view thereof; FIG. 3 is a top plan view thereof; FIG. 4 is a bottom plan view thereof; FIG. 5 is a rear elevational view thereof; and FIG. 6 is a front elevational view thereof.



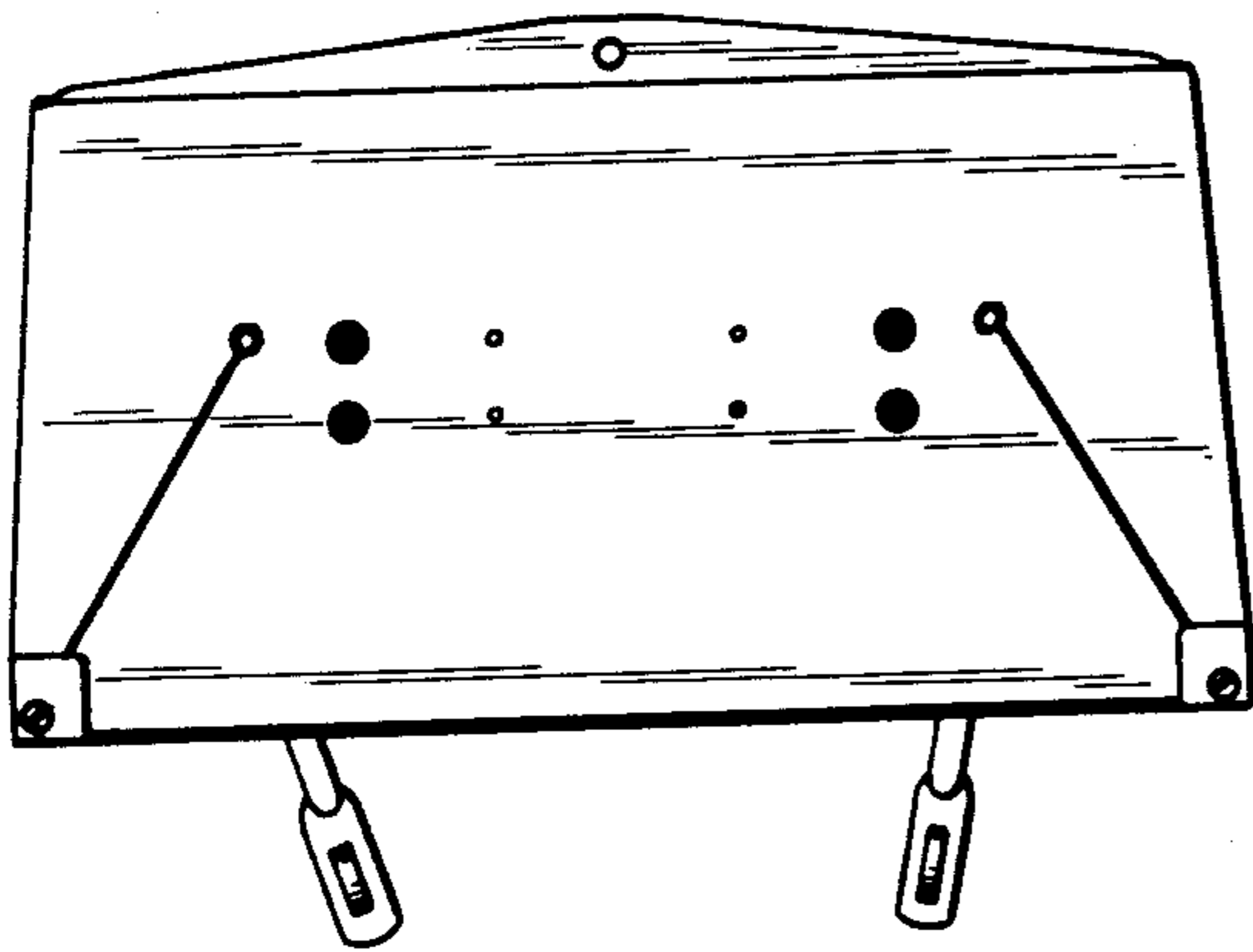
*Fig. 1.*



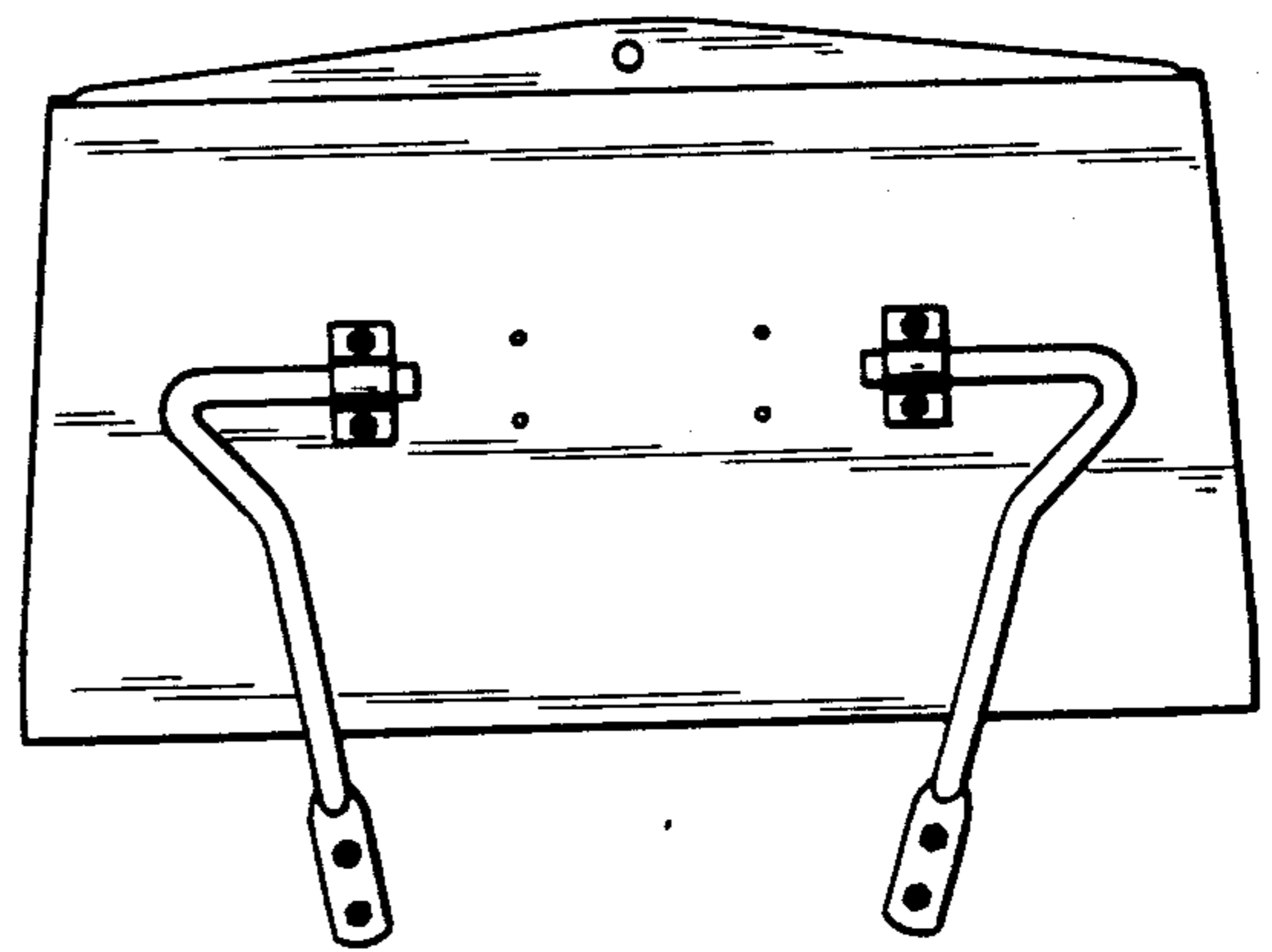
*Fig. 2.*



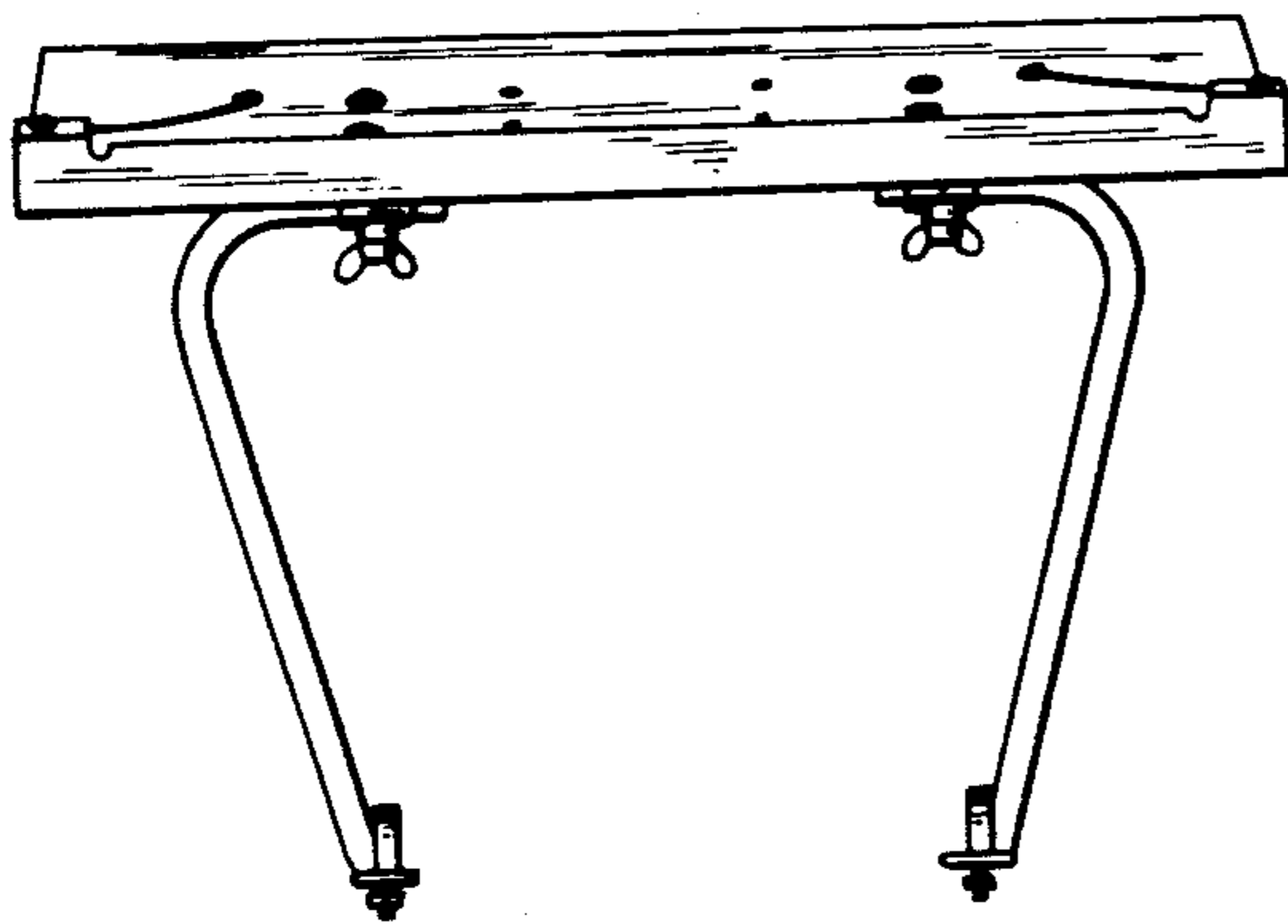
*Fig. 3.*



*Fig. 4.*



*Fig. 5.*



*Fig. 6.*

