

[54] CARRYING CASE FOR A TYPEWRITER

[75] Inventor: Robert Osit, Audubon, Pa.
 [73] Assignee: SCM Corporation, New York, N.Y.
 [**] Term: 14 Years
 [21] Appl. No.: 875,366
 [22] Filed: Feb. 6, 1978
 [51] Int. Cl. D3-02
 [52] U.S. Cl. D3/72; D3/76
 [58] Field of Search D3/30, 72, 73, 76, 78;
 D18/1; 400/691

References Cited

U.S. PATENT DOCUMENTS

D. 191,190 8/1961 Noyes D3/76
 D. 199,705 12/1964 Abend et al. D18/1
 D. 225,462 12/1972 Dietrich et al. D18/1

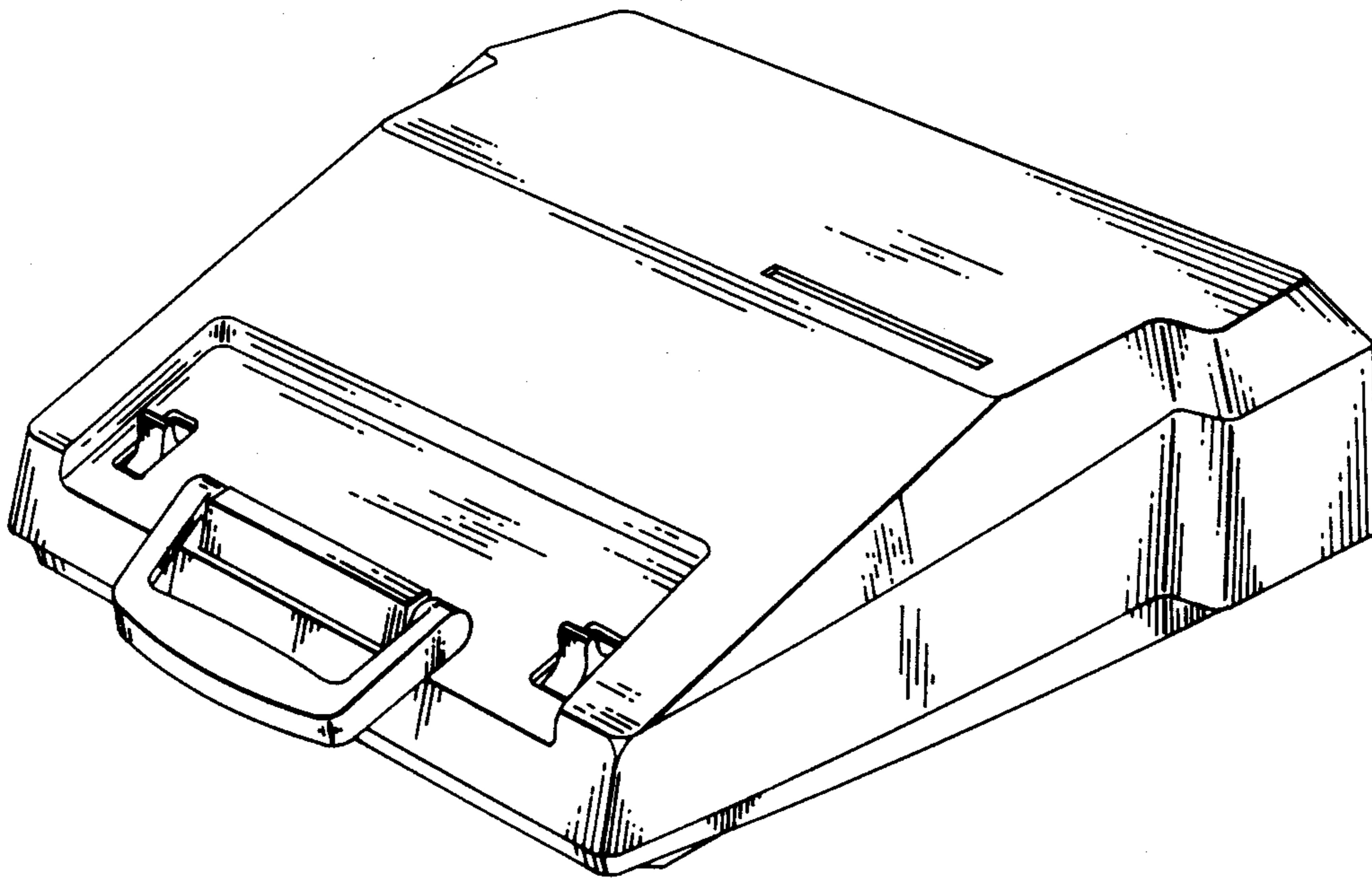
D. 234,545 3/1975 De Tomaso et al. D3/73
 Primary Examiner—Joel Stearman
 Assistant Examiner—George P. Word
 Attorney, Agent, or Firm—William E. Mear, III; Ernest
 F. Weinberger; Milton M. Wolson

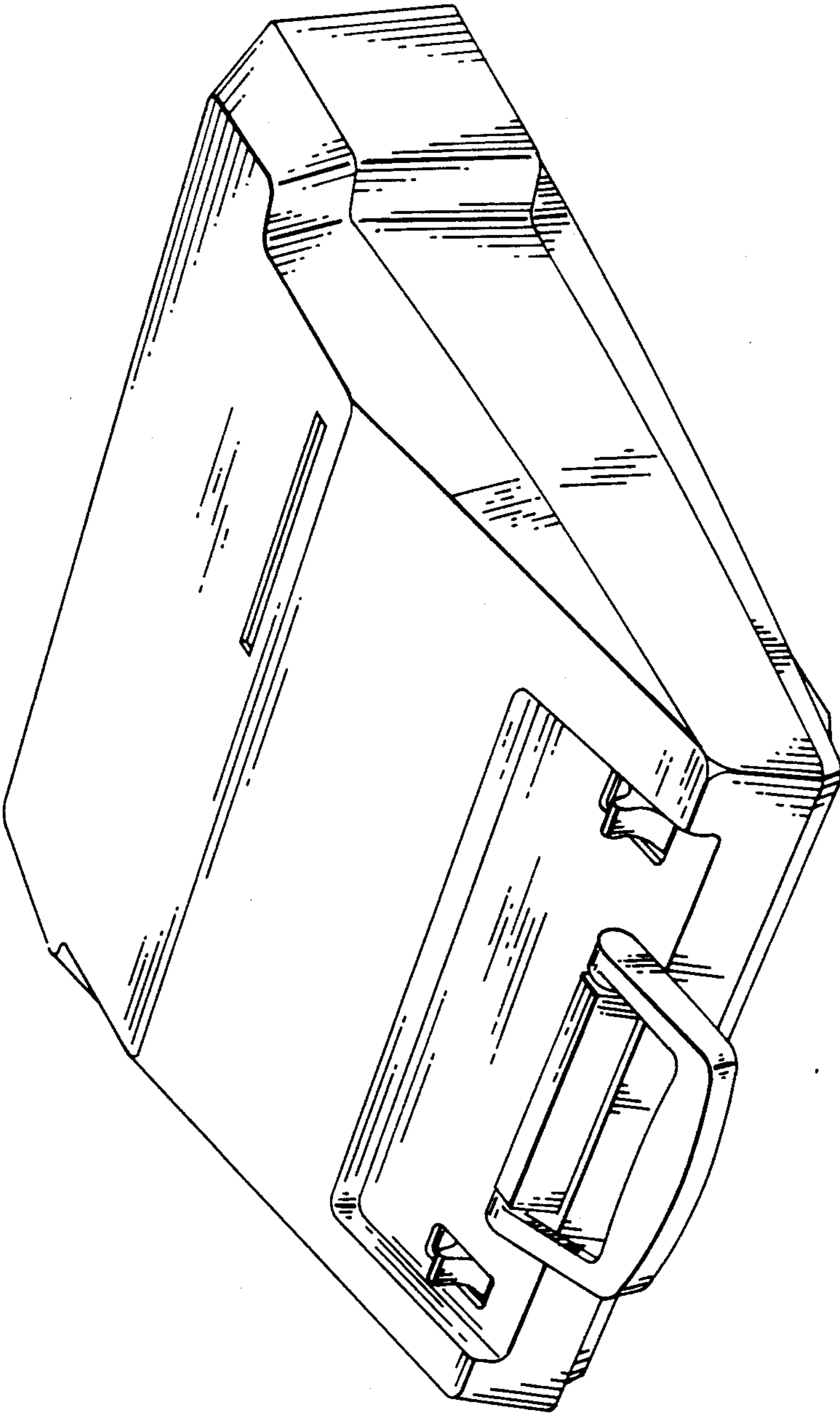
[57] CLAIM

The ornamental design for a carrying case for a typewriter, as shown.

DESCRIPTION

FIG. 1 is a front perspective view of a carrying case for a typewriter showing my new design;
 FIG. 2 is a top plan view thereof;
 FIG. 3 is a front elevational view thereof;
 FIG. 4 is a rear elevational view thereof;
 FIG. 5 is a bottom plan view thereof;
 FIG. 6 is a right side elevational view thereof; and
 FIG. 7 is a left side elevational view thereof.





7
—
E E E

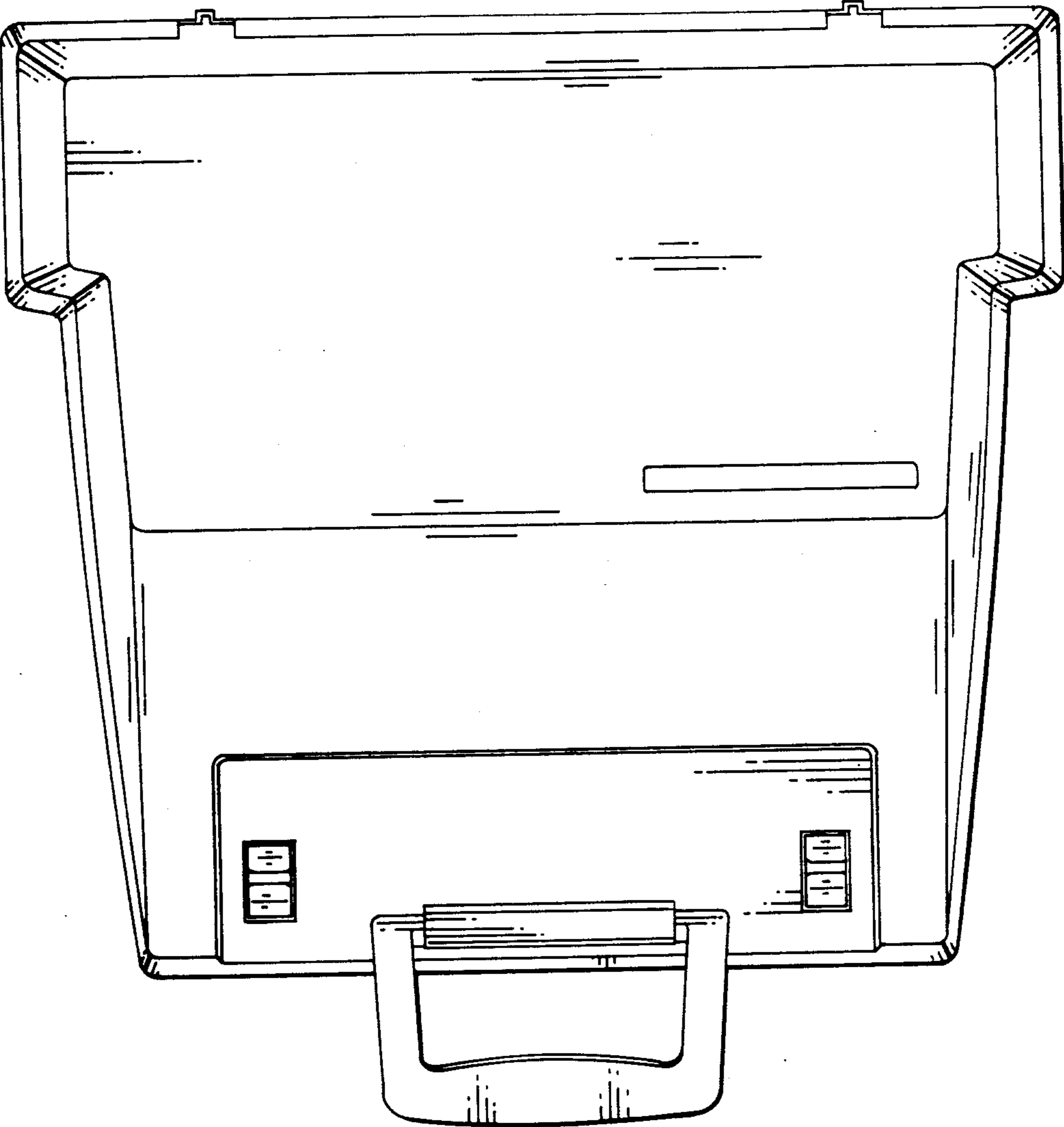


FIG 2

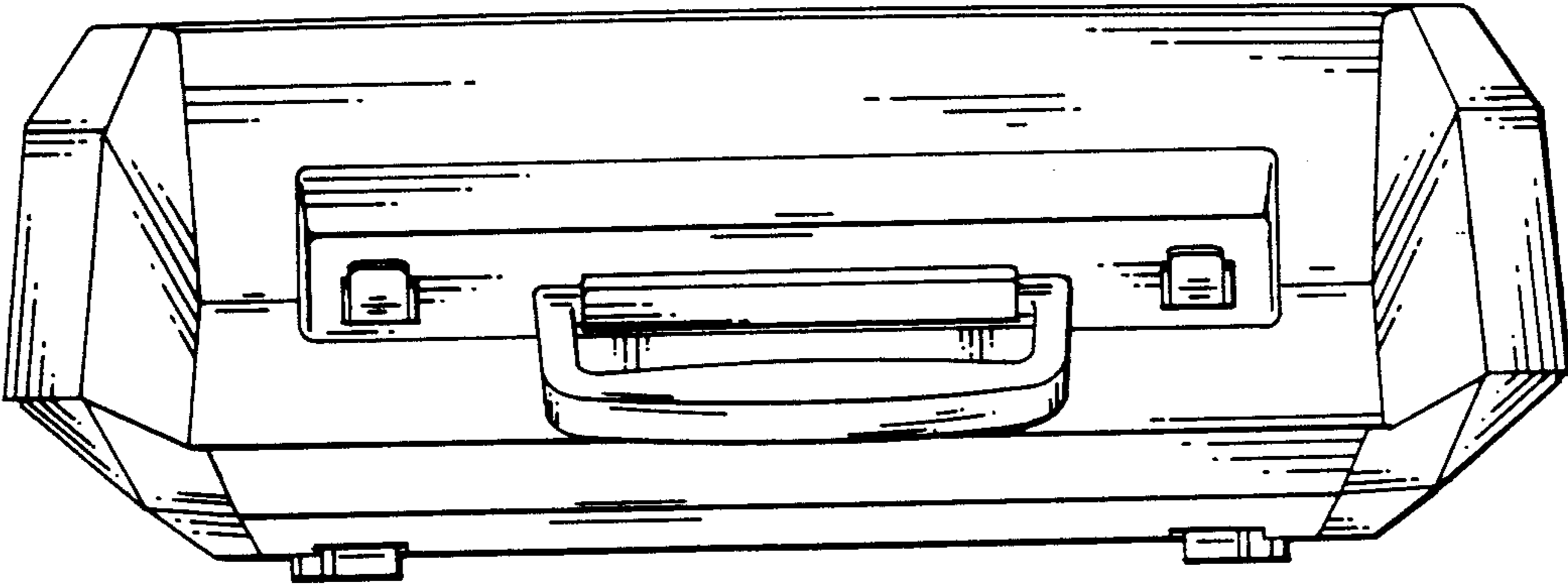


FIG 3

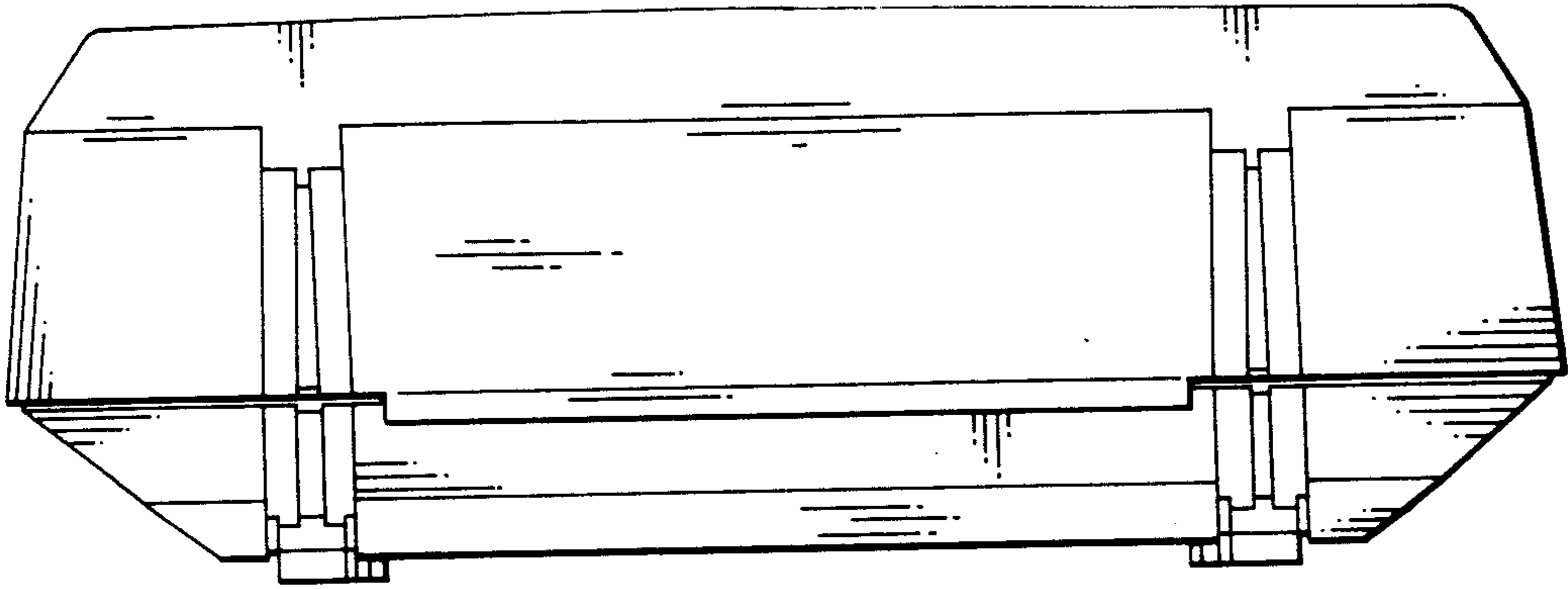


FIG 4 4

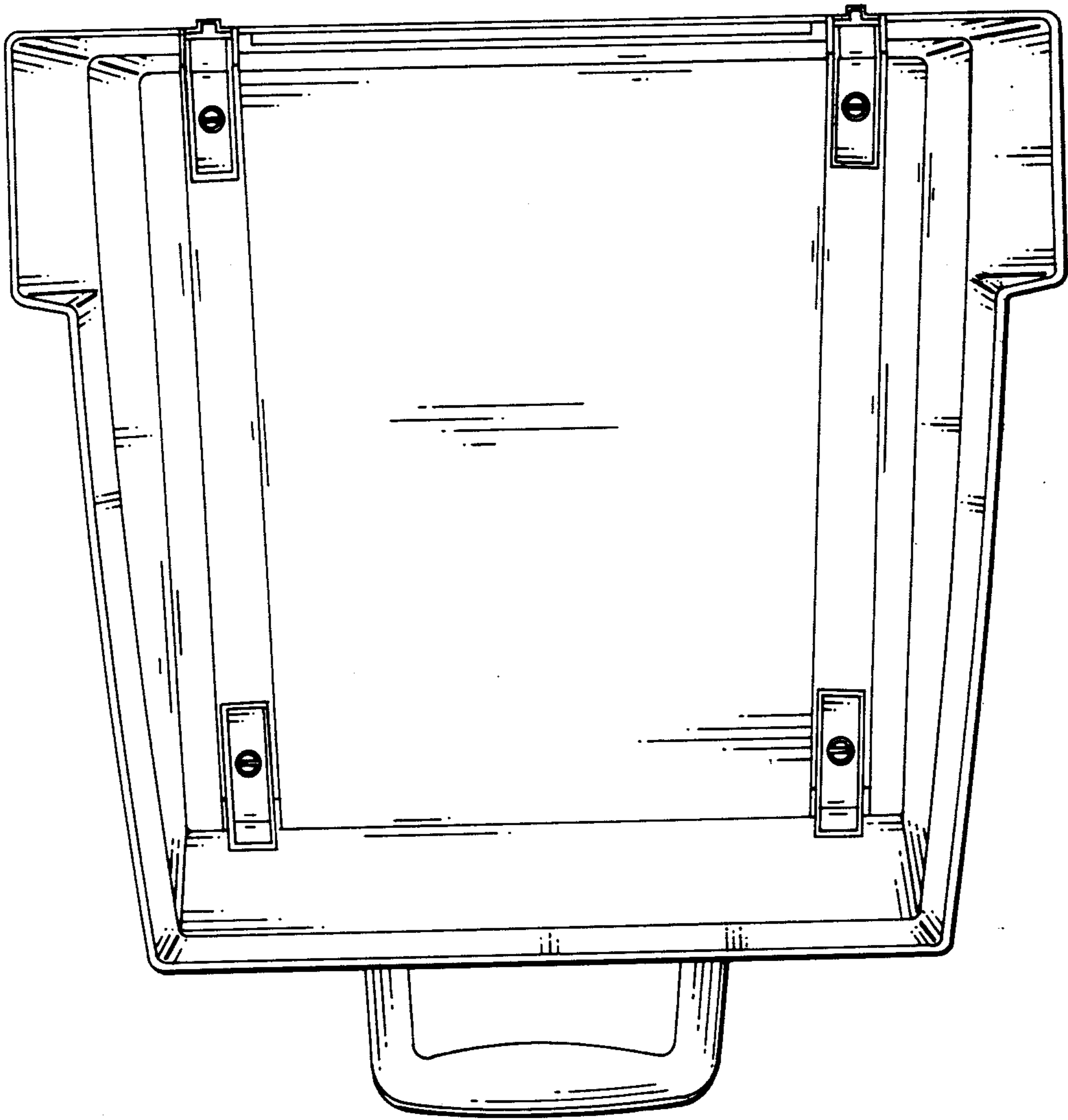


FIG 5 5

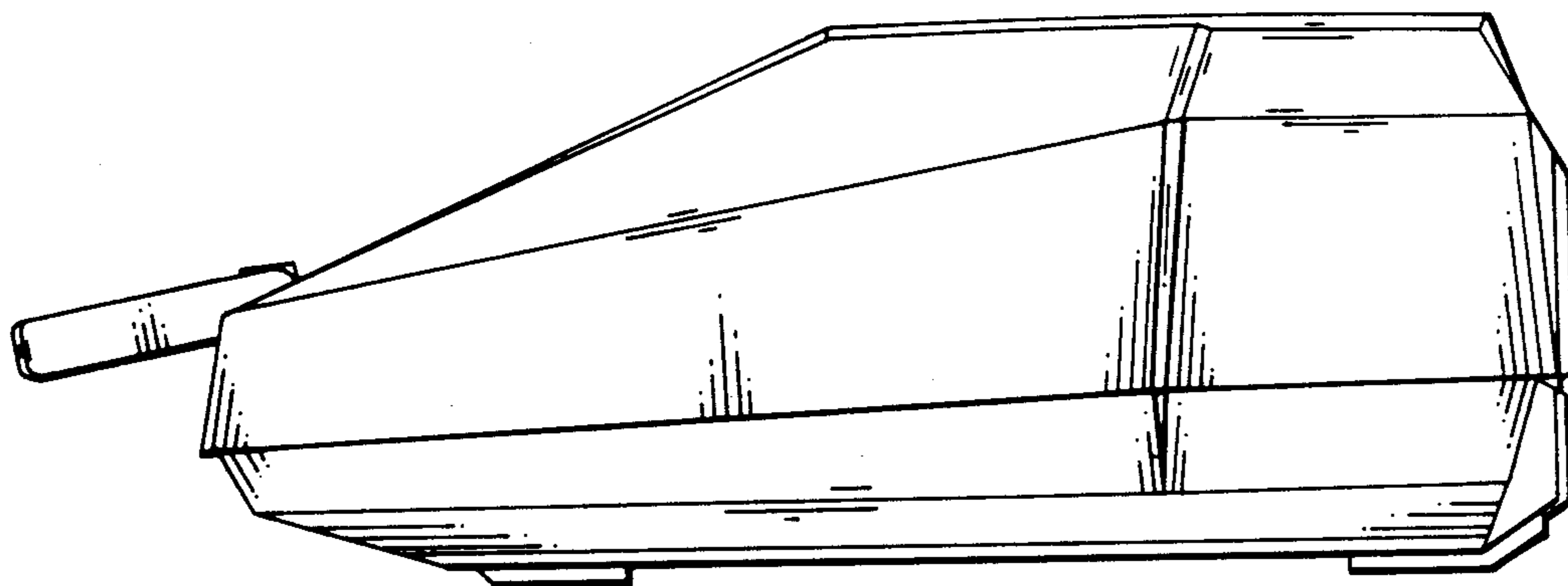


FIG 6

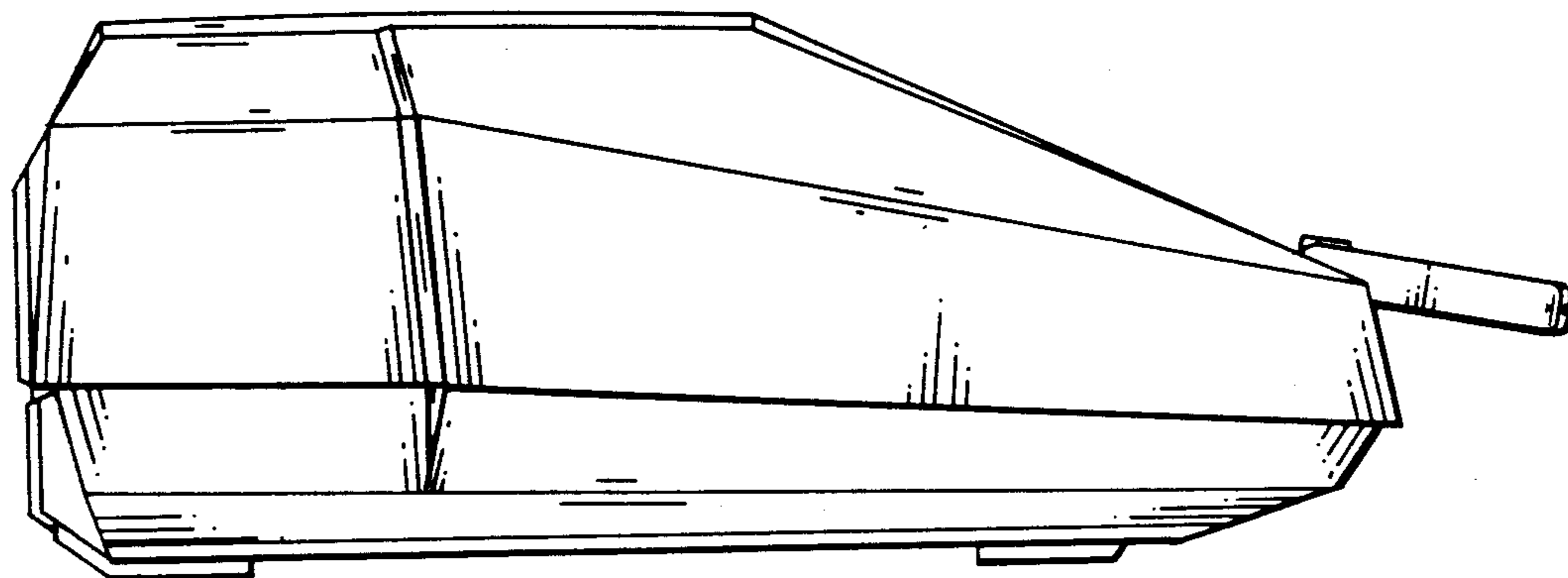


FIG 7