

[54] ELECTRICAL HAIR WAVING APPLIANCE OR SIMILAR ARTICLE

[75] Inventor: Michel Rossé, MuttENZ, Switzerland

[73] Assignee: Blitog S.A., Zug, Switzerland

[\*\*] Term: 14 Years

[21] Appl. No.: 849,484

[22] Filed: Nov. 7, 1977

[30] Foreign Application Priority Data

May 24, 1977 [WO] Hague ..... 65095

[51] Int. Cl. .... D28-03

[52] U.S. Cl. .... D28/35

[58] Field of Search ..... D28/35, 38; 219/222, 219/225, 226; 132/32 R, 32 A, 37 R, 7, 9

[56] References Cited

U.S. PATENT DOCUMENTS

628,580 7/1899 Gray ..... 132/32 A  
1,455,696 5/1923 Wright ..... 132/32 R

2,819,484 1/1958 Fouse ..... 132/9 X

FOREIGN PATENT DOCUMENTS

1065401 5/1954 France ..... 219/225

Primary Examiner—Louis S. Zarfes  
Attorney, Agent, or Firm—Werner W. Kleeman

[57] CLAIM

The ornamental design for electrical hair waving appliance or similar article, as shown and described.

DESCRIPTION

FIG. 1 is a perspective view of an electrical hair waving appliance or similar article showing my new design; FIG. 2 is an enlarged end view thereof, looking from the left-hand side of FIG. 1; FIG. 3 is an enlarged end view thereof, looking from the right-hand side of FIG. 1; FIG. 4 is a top plan view thereof, the opposite bottom side being identical thereto; and FIG. 5 is a side view thereof, the opposite side being identical to the side shown.

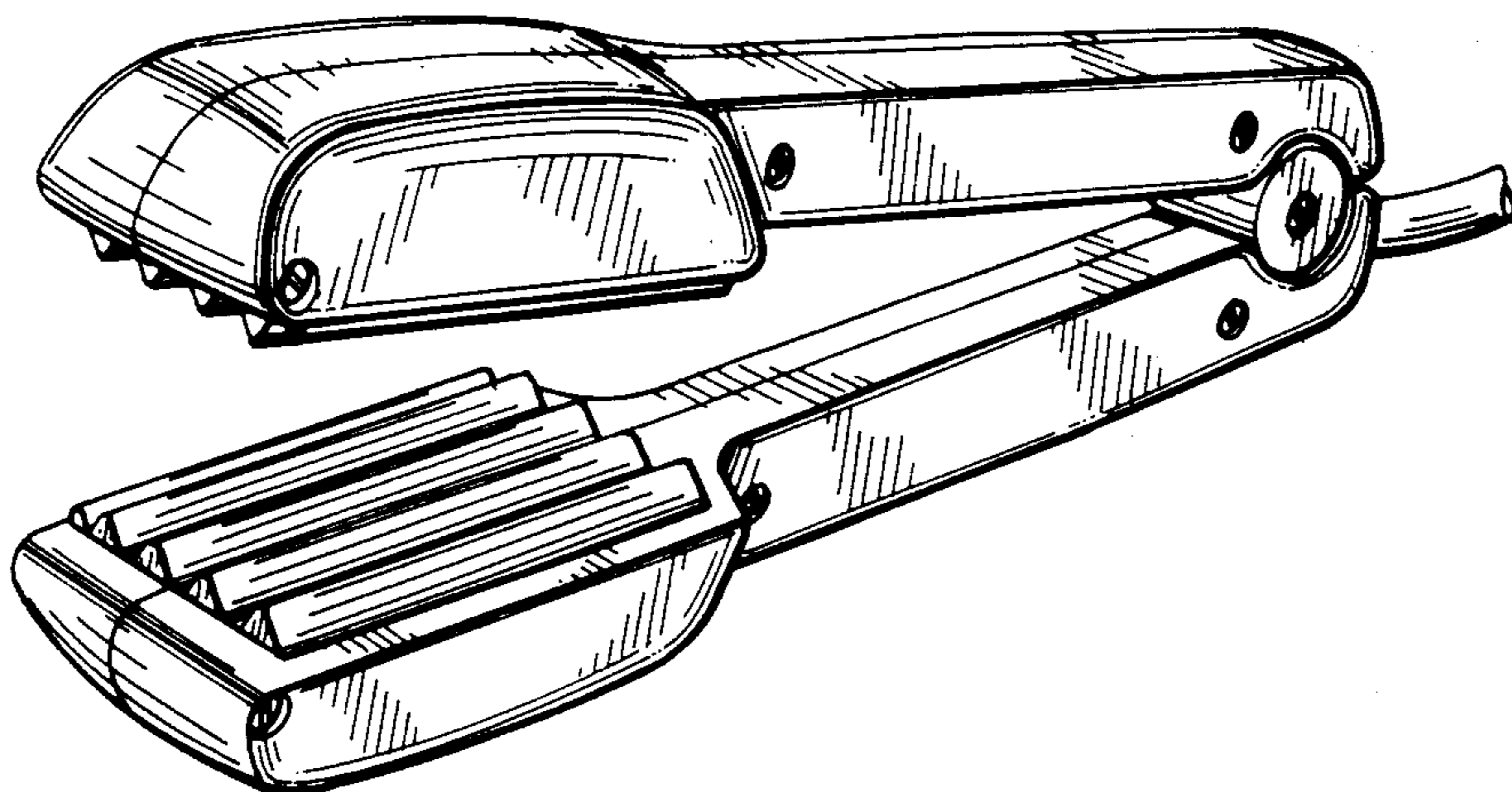


Fig. 1

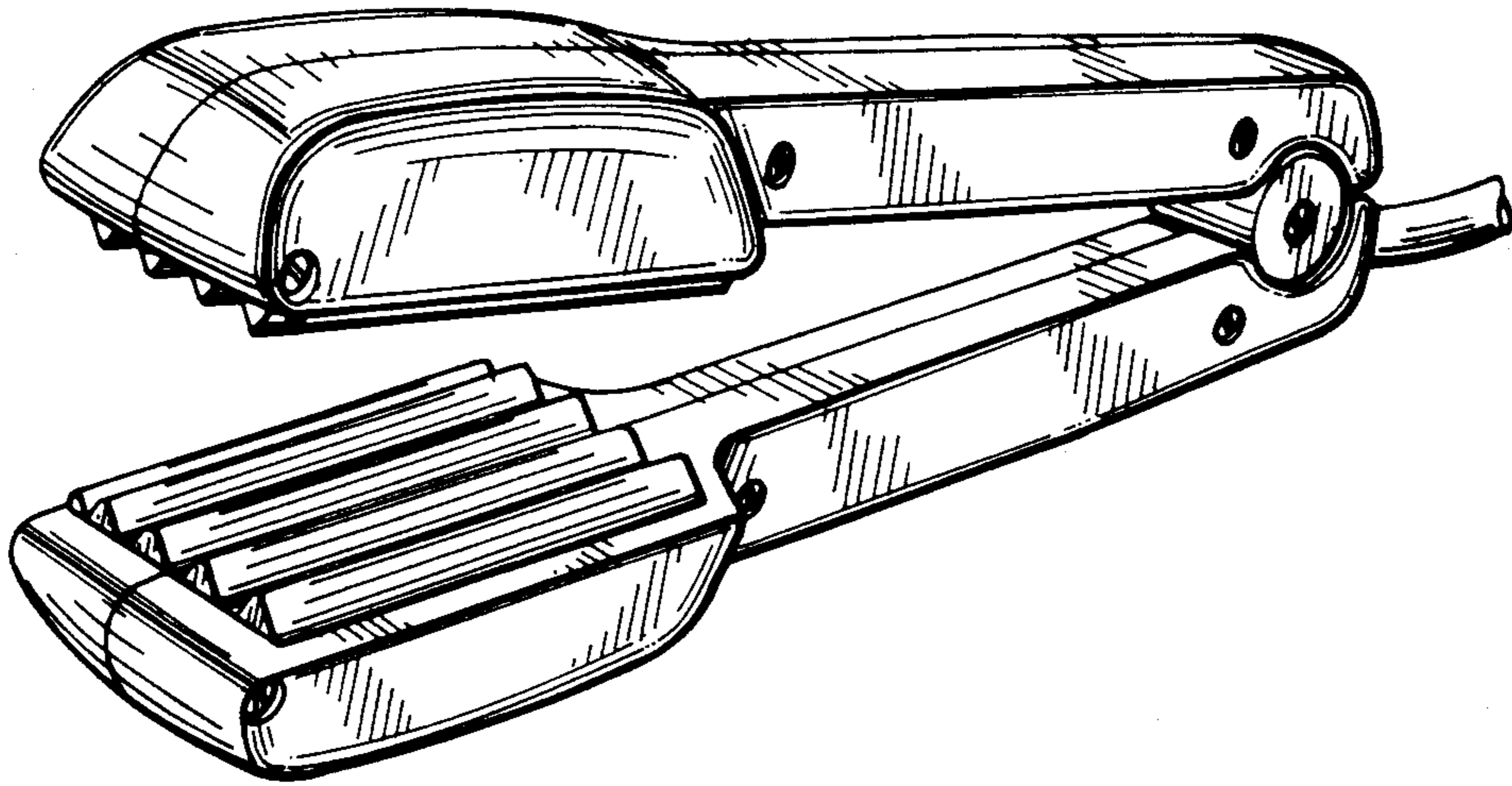


Fig. 2

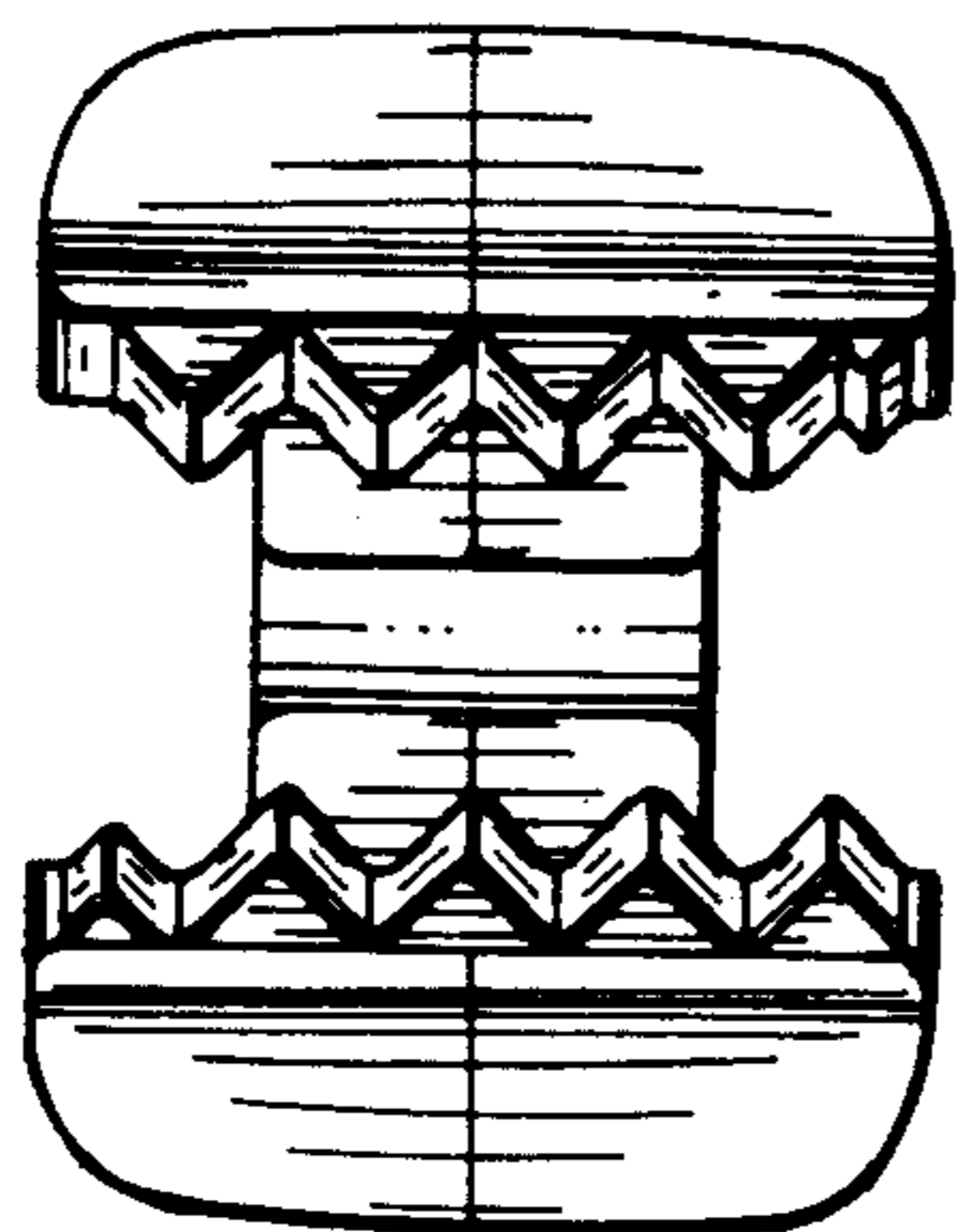


Fig. 3

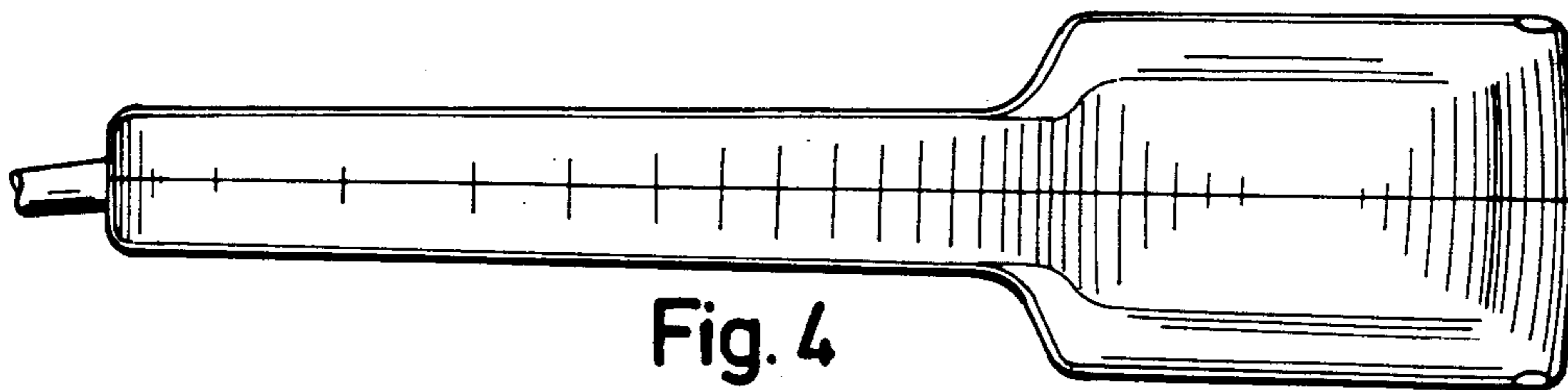
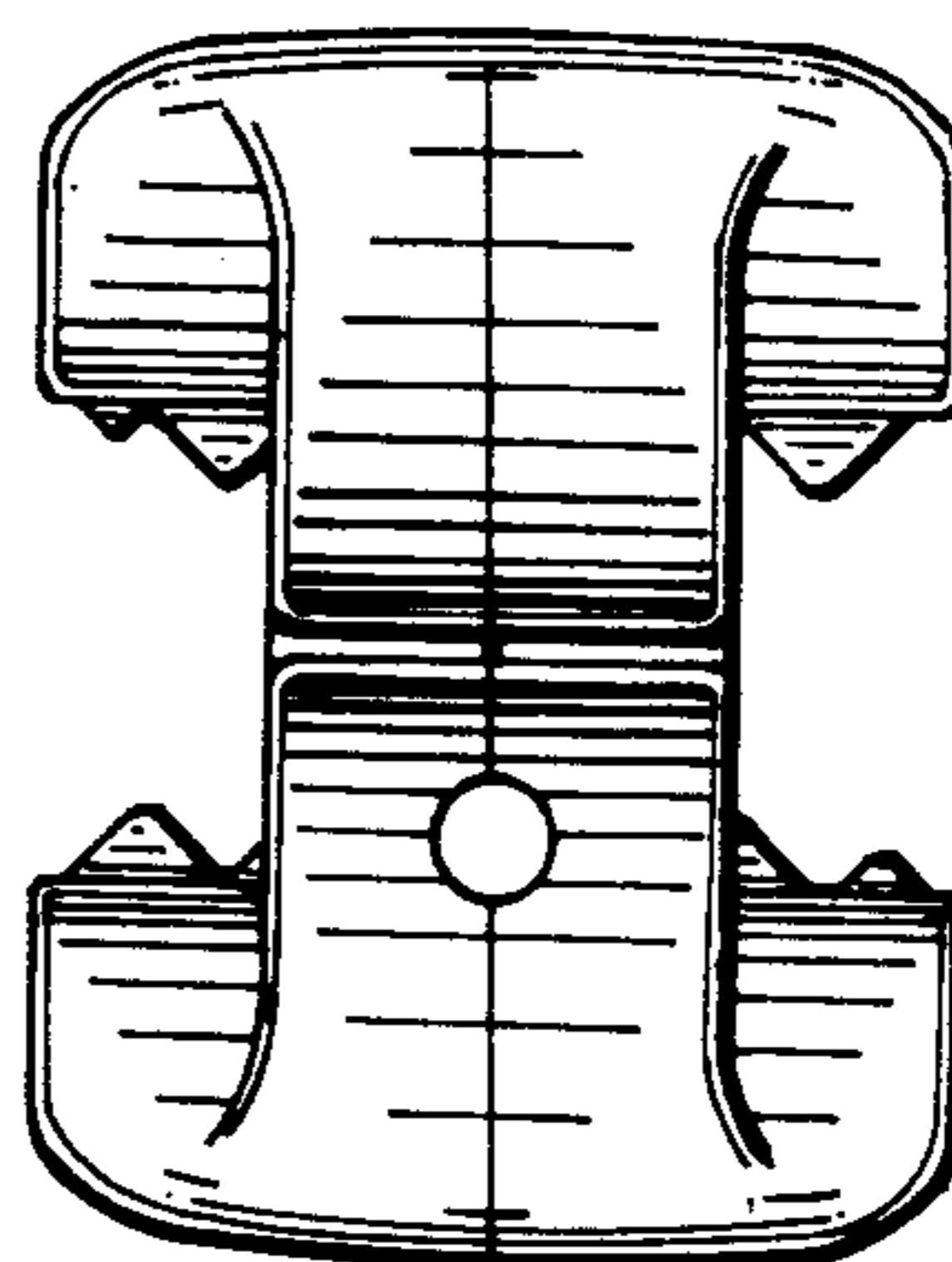


Fig. 4

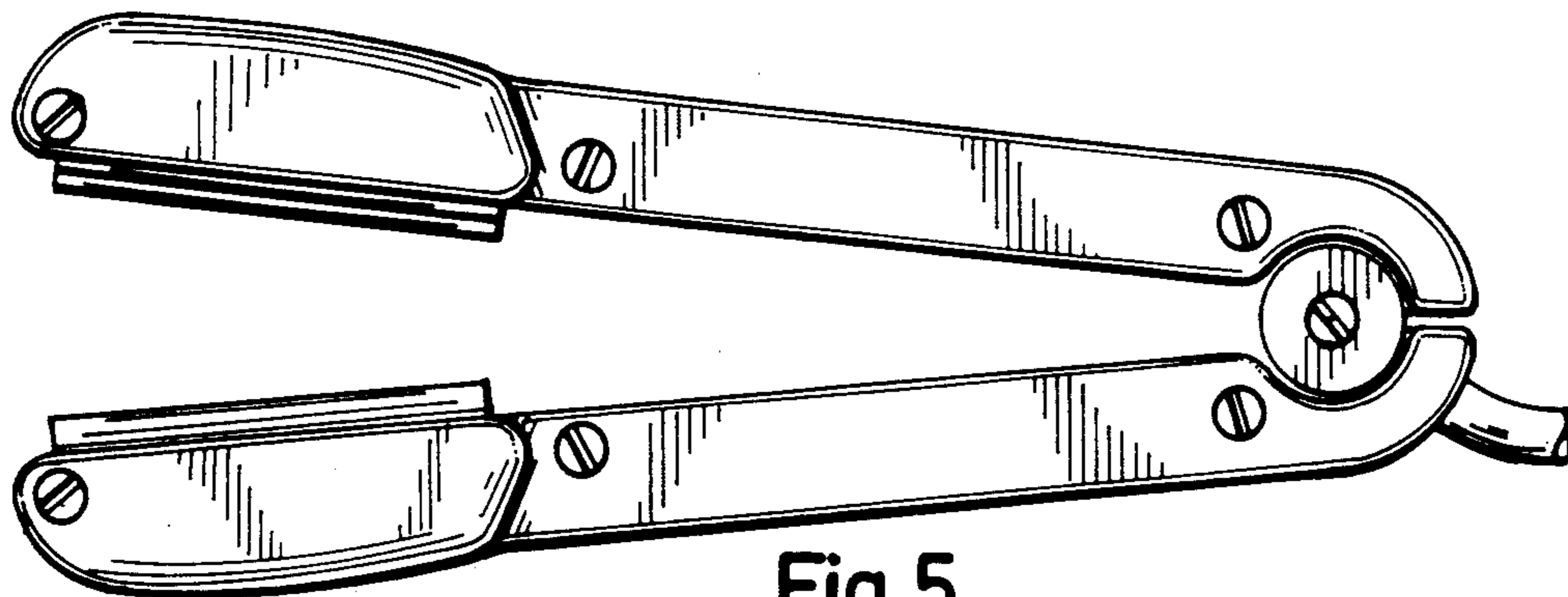


Fig. 5