

[54] COMB HAVING A CAVITY FOR HOLDING A NAIL FILE OR THE LIKE

D. 137,721 4/1944 Torian D28/25
2,785,688 3/1957 Chester 132/122 X
3,139,092 6/1964 Montgomery 132/150 X

[76] Inventor: Larry R. Whiteman, 2516 Fallcreek, Arlington, Tex. 76014

Primary Examiner—Louis S. Zarfes
Attorney, Agent, or Firm—Charles W. McHugh

[**] Term: 14 Years

[57] CLAIM

[21] Appl. No.: 843,128

The ornamental design for a comb having a cavity for holding a nail file or the like, as shown.

[22] Filed: Oct. 17, 1977

[51] Int. Cl. D28—03

[52] U.S. Cl. D28/25; D28/30

[58] Field of Search D28/21, 25, 30, 34, D28/59; 132/11 R, 76.2, 104, 116, 122, 124, 147, 148, 150, 158

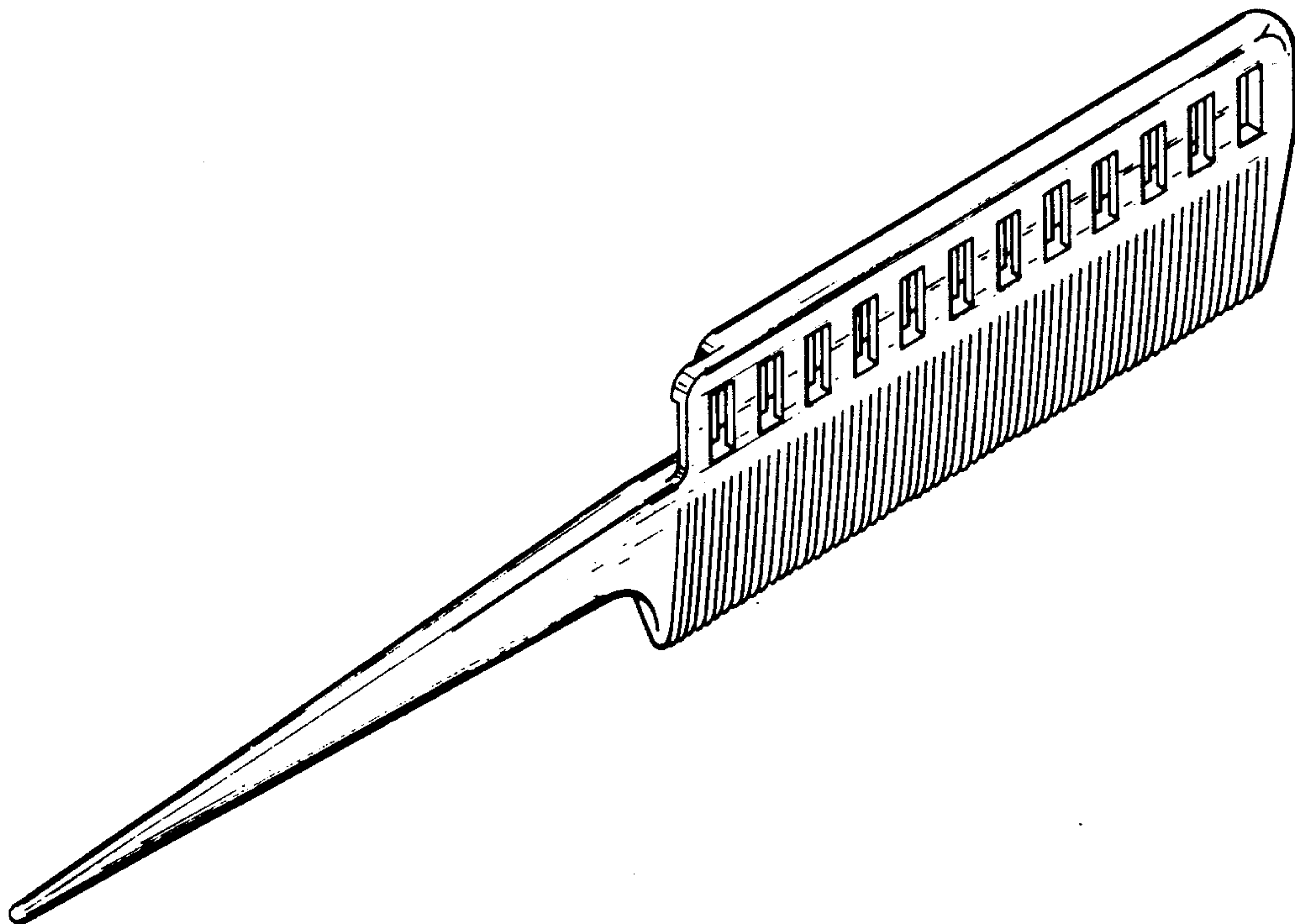
DESCRIPTION

FIG. 1 is a perspective view of a comb having a cavity for holding a nail file or the like;
FIG. 2 is a rear end view thereof;
FIG. 3 is a front end view thereof;
FIG. 4 is a top plan view thereof;
FIG. 5 is a right side elevational view thereof;
FIG. 6 is a left side elevational view thereof; and
FIG. 7 is a bottom plan view thereof.

[56] References Cited

U.S. PATENT DOCUMENTS

D. 122,569 9/1940 Hastings D28/30



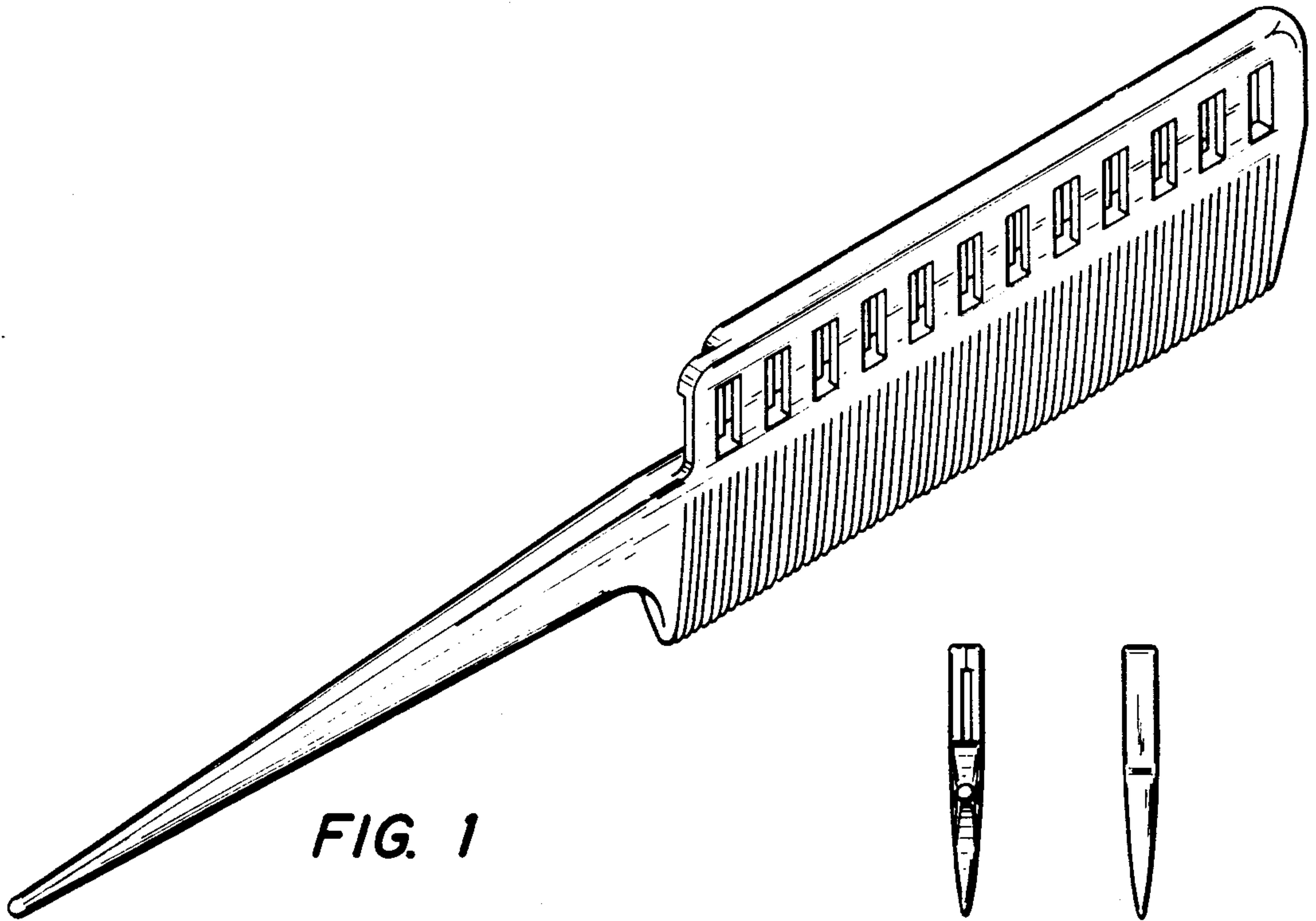


FIG. 1

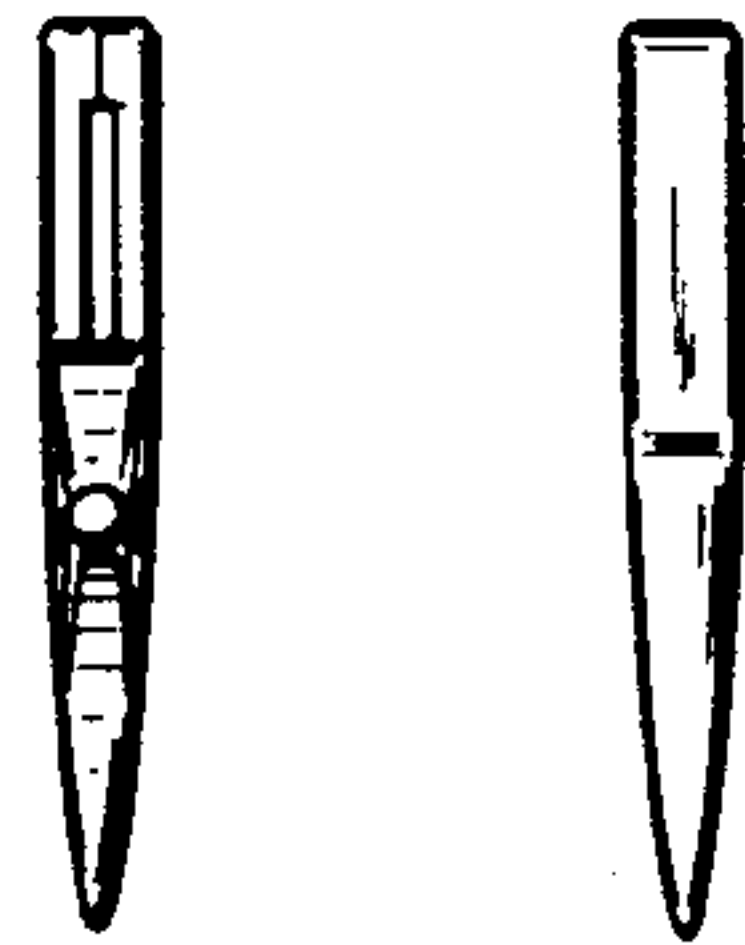


FIG. 2 FIG. 3



FIG. 4

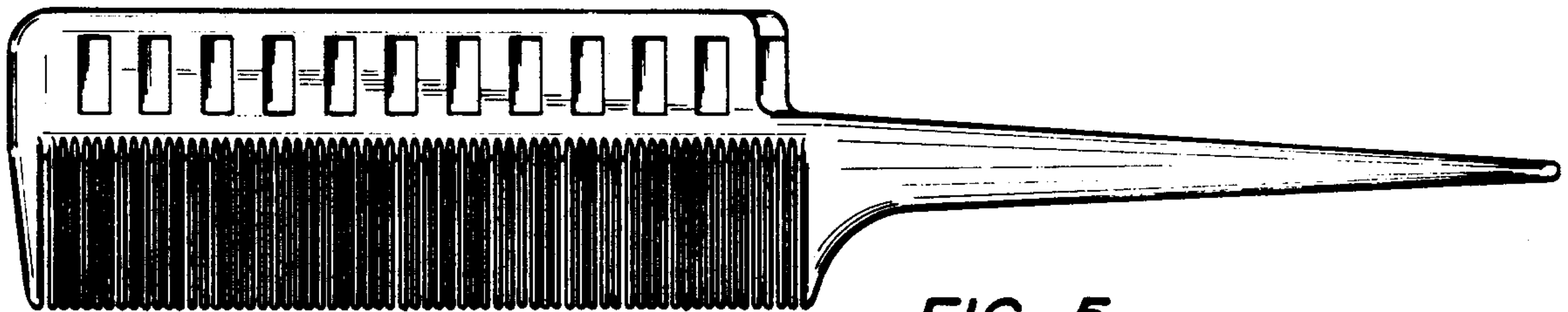


FIG. 5

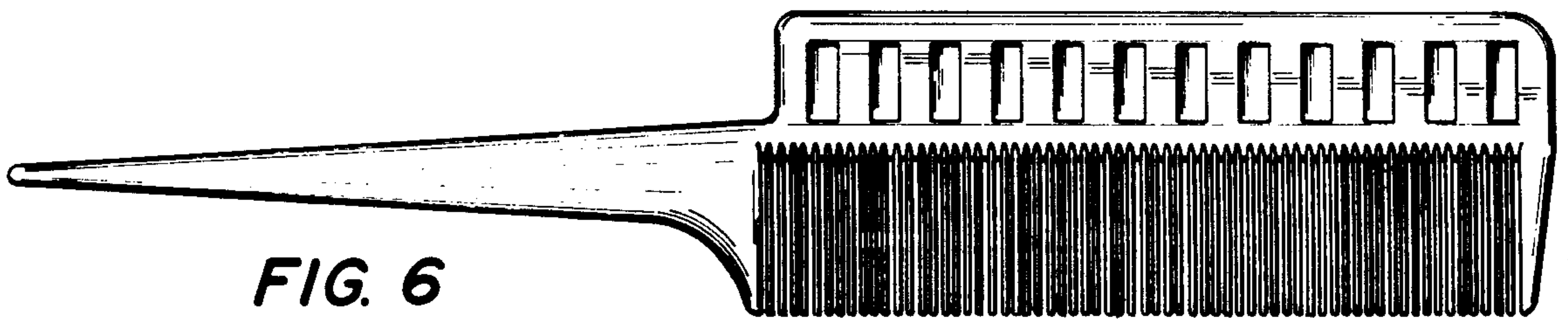


FIG. 6



FIG. 7