

[54] **FOOT MASSAGER OR THE LIKE**

[76] Inventor: **Montaro Miyadai**, 11-24 Mita
3-chome, Minato-ku, Tokyo, Japan

[**] Term: **14 Years**

[21] Appl. No.: **795,664**

[22] Filed: **May 10, 1977**

[30] **Foreign Application Priority Data**
Nov. 13, 1976 [JP] Japan 51-44643

[51] Int. Cl. **D28-03**

[52] U.S. Cl. **D24/36; D21/191**

[58] Field of Search 128/25 B, 57; D24/36;
272/70.2, 69, 70, 96; D34/5 K

[56] **References Cited**
U.S. PATENT DOCUMENTS
D. 127,686 6/1941 Milton D24/36

D. 138,340 7/1944 Cox D24/36
D. 202,085 8/1965 Tasker D24/42 X
D. 242,826 12/1976 Posh D24/36
2,121,250 6/1938 Koschwitz 128/25 B
3,205,888 9/1965 Stroop 128/57
3,756,224 9/1973 Laymon 128/57
3,888,241 6/1975 Fischer 128/25 B X

Primary Examiner—Bernard Ansher
Attorney, Agent, or Firm—Norman F. Oblon

[57] **CLAIM**

The ornamental design for a foot massager or the like, as shown.

DESCRIPTION

FIG. 1 is a perspective view of a foot massager, or the like, showing my new design;
FIG. 2 is a front view thereof;
FIG. 3 is a right side view thereof; and
FIG. 4 is a top plan view thereof.
FIG. 5 is a central cross-sectional view of FIG. 2.

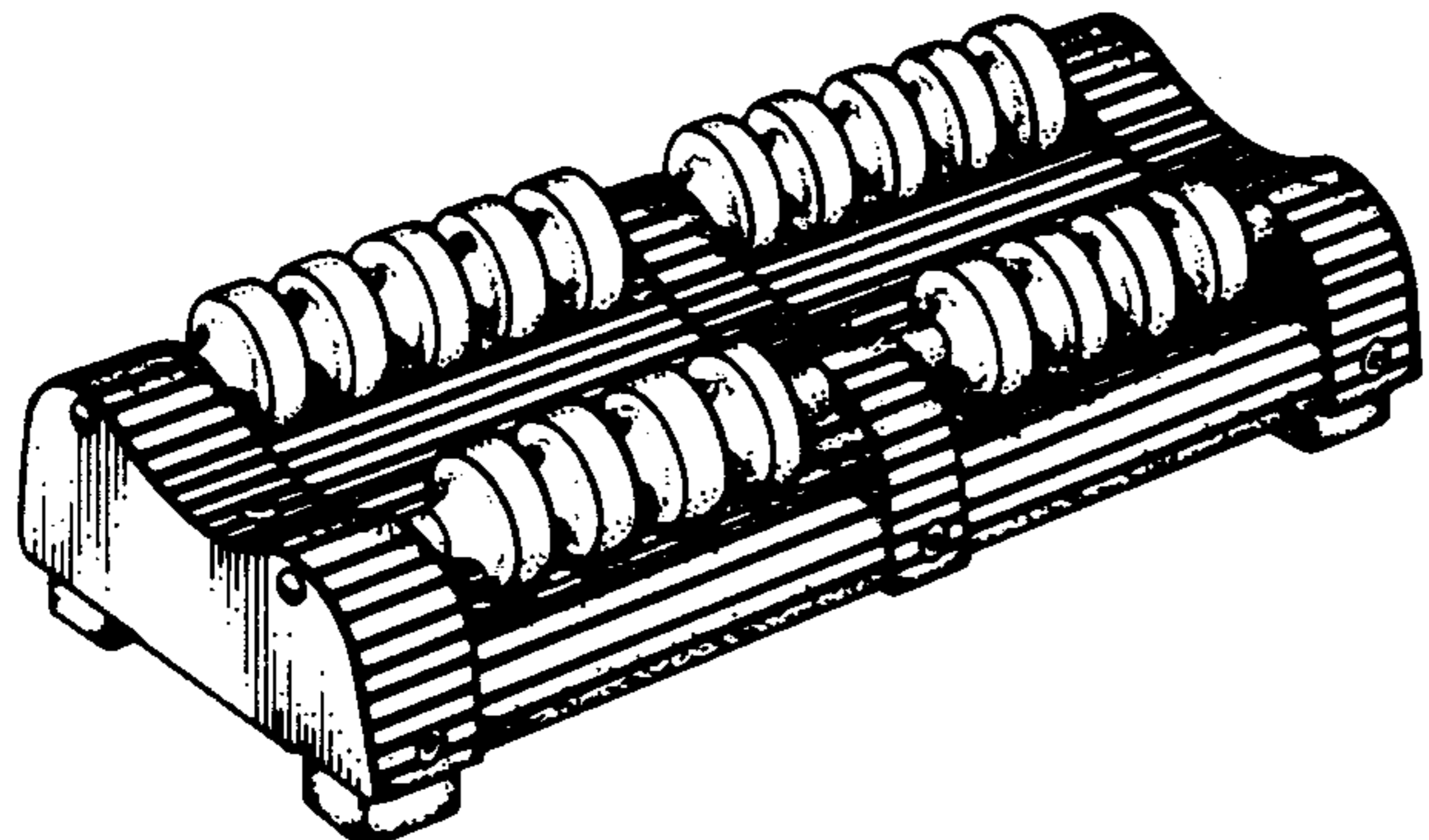


FIG.1

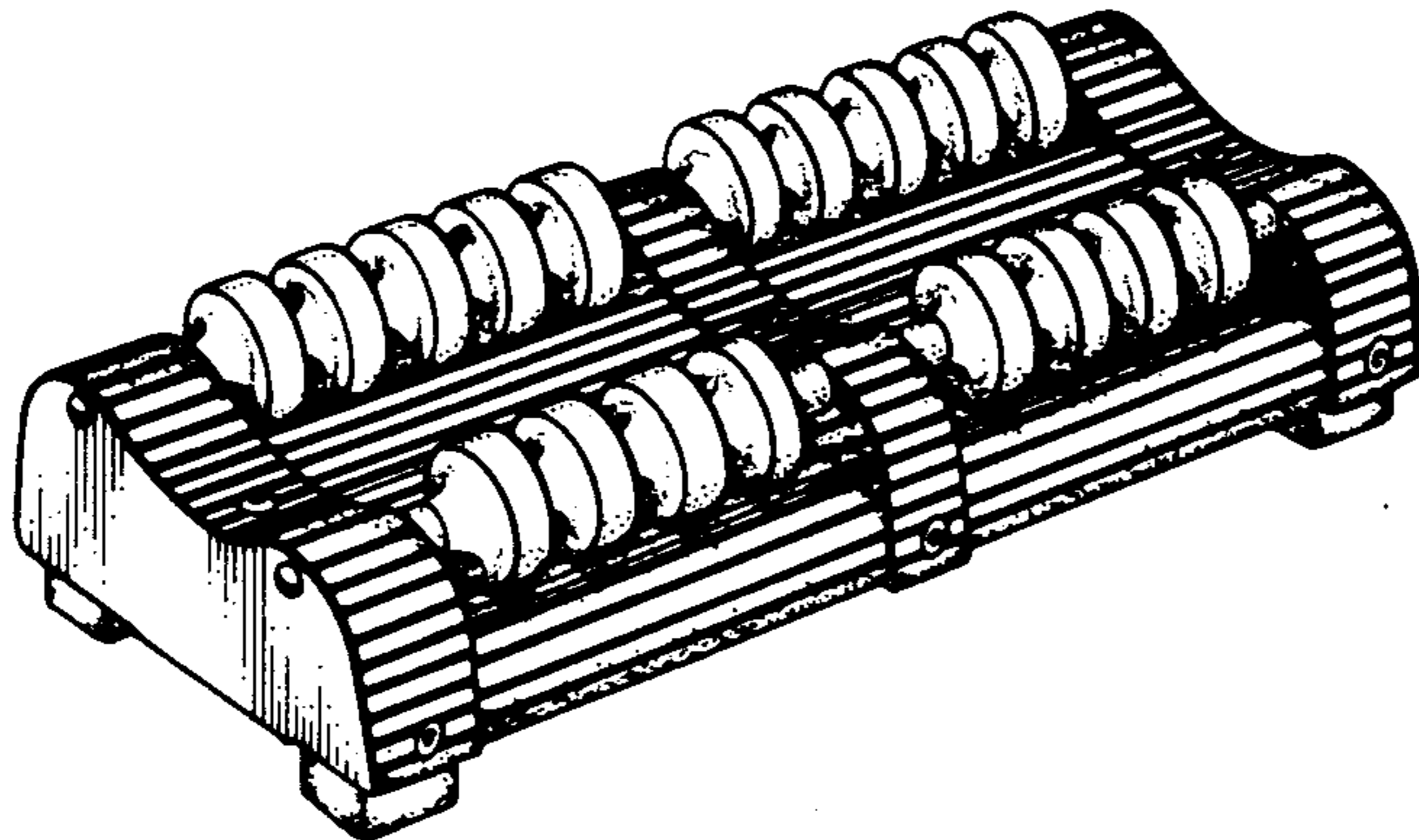


FIG.2

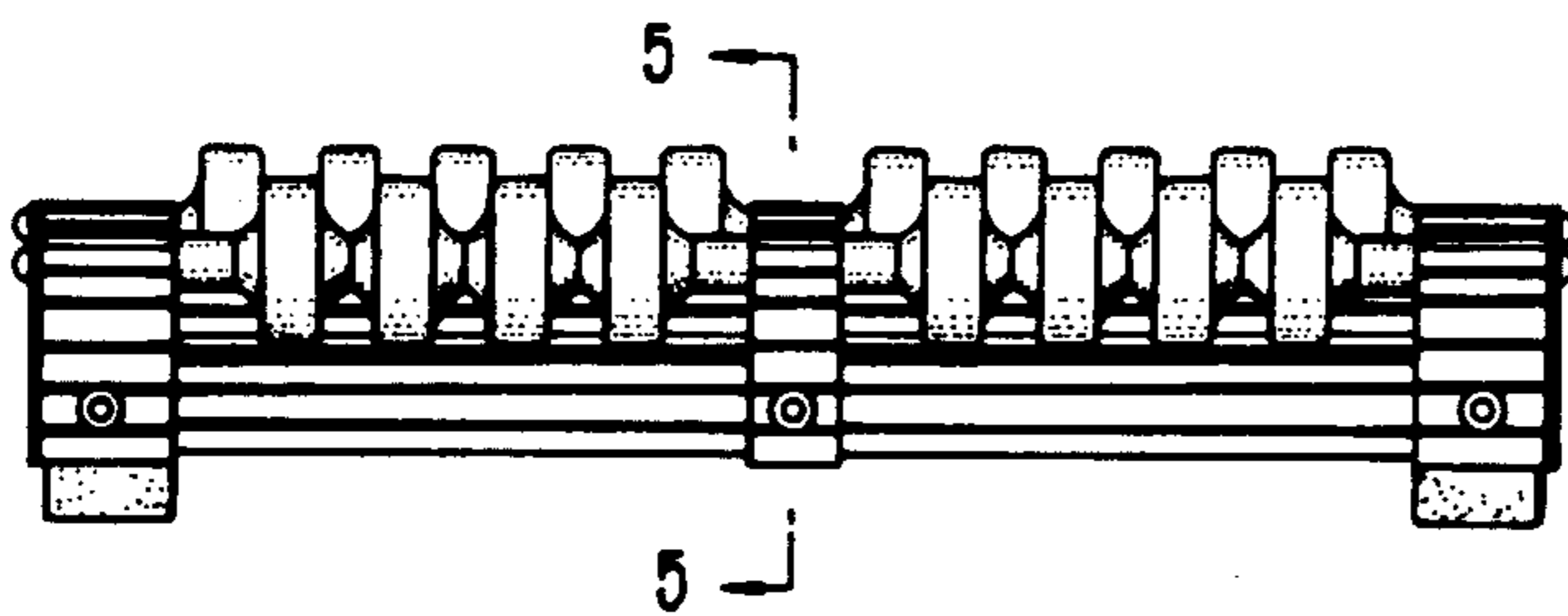


FIG.3

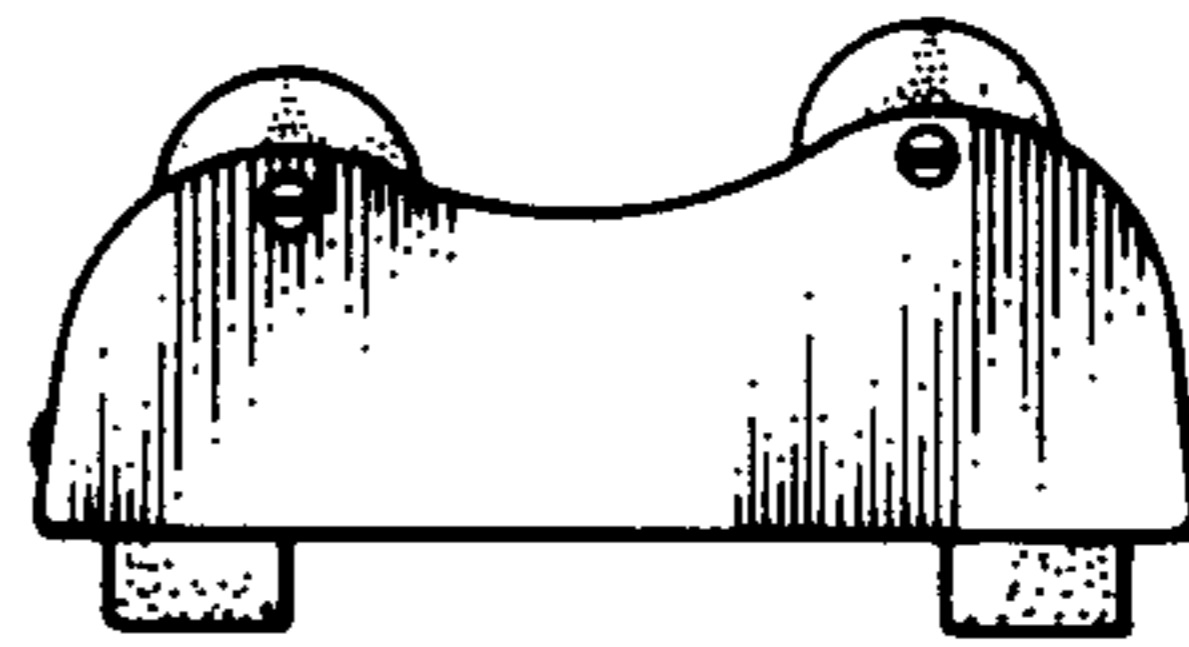


FIG.4

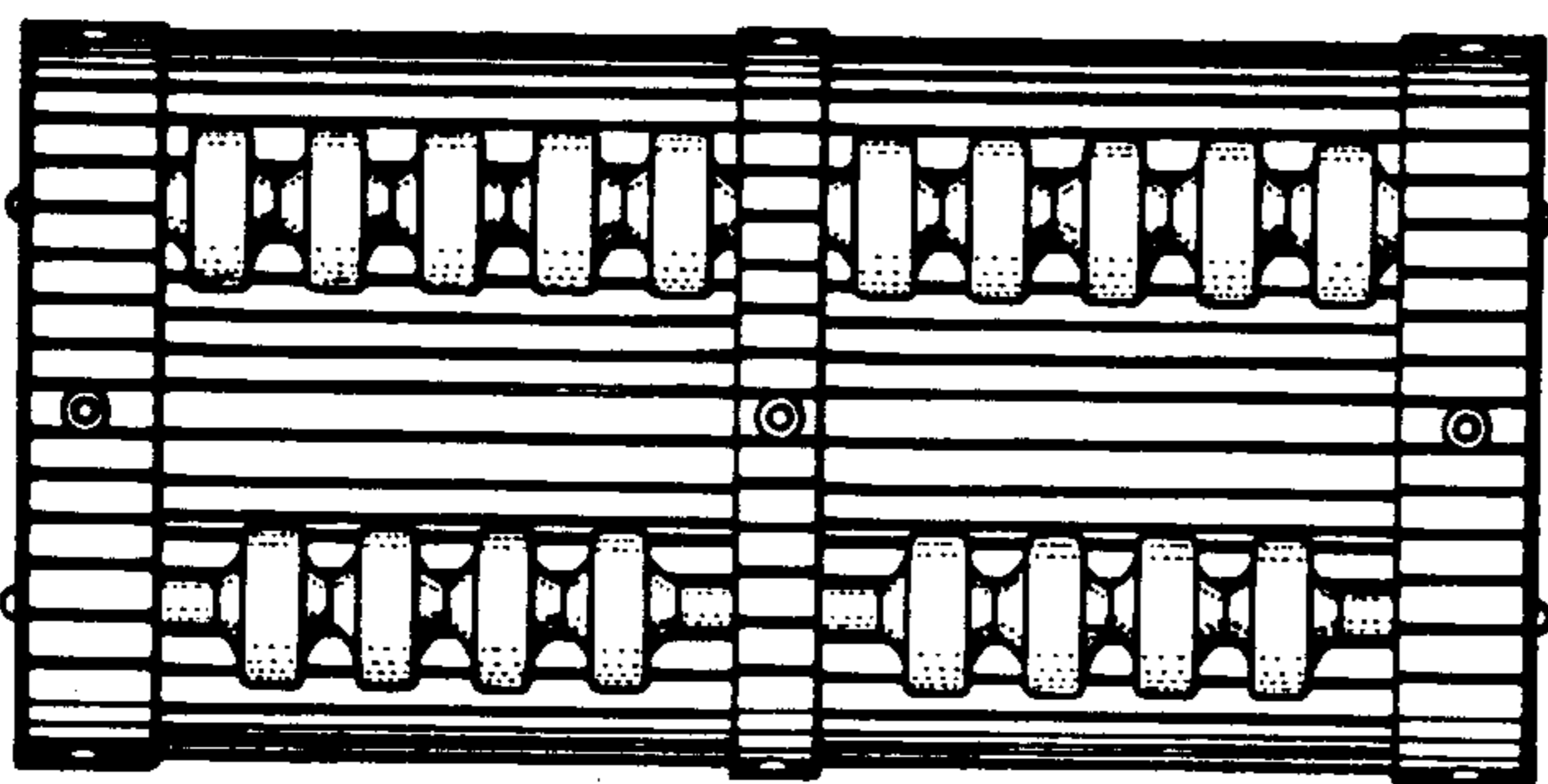


FIG.5

