

[54] PORTABLE CLEANING SYSTEM

[76] Inventor: Bobby L. Waters, Rte. 8, Maryville, Tenn. 37801

[**] Term: 14 Years

[21] Appl. No.: 836,484

[22] Filed: Sep. 26, 1977

[51] Int. Cl. D15-05

[52] U.S. Cl. D15/34; D15/49

[58] Field of Search D15/34, 48, 49; D12/1, D12/14; 15/340, 320, 49 R, 49 C, 50 R, 50 C

[56] References Cited

U.S. PATENT DOCUMENTS

D. 91,768	3/1934	Donohue	D15/49
D. 115,185	6/1939	Clarkson	D15/34
D. 196,958	11/1963	Goodrich	D15/34

D. 216,154	11/1969	Bell	D15/49
3,921,244	11/1975	Warren et al.	15/49 R X

Primary Examiner—Wallace R. Burke
Assistant Examiner—Catherine Kemper
Attorney, Agent, or Firm—William E. Anderson

[57] CLAIM

The ornamental design for a portable cleaning system, as shown and described.

DESCRIPTION

FIG. 1 is a left side elevational view of the portable cleaning system showing my new design; FIG. 2 is a right hand side elevational view thereof; FIG. 3 is a front elevational view thereof; FIG. 4 is a rear elevational view thereof; and FIG. 5 is a top plan view thereof. The broken line disclosure in FIG. 1 is for illustrative purposes only and forms no part of the claimed design.

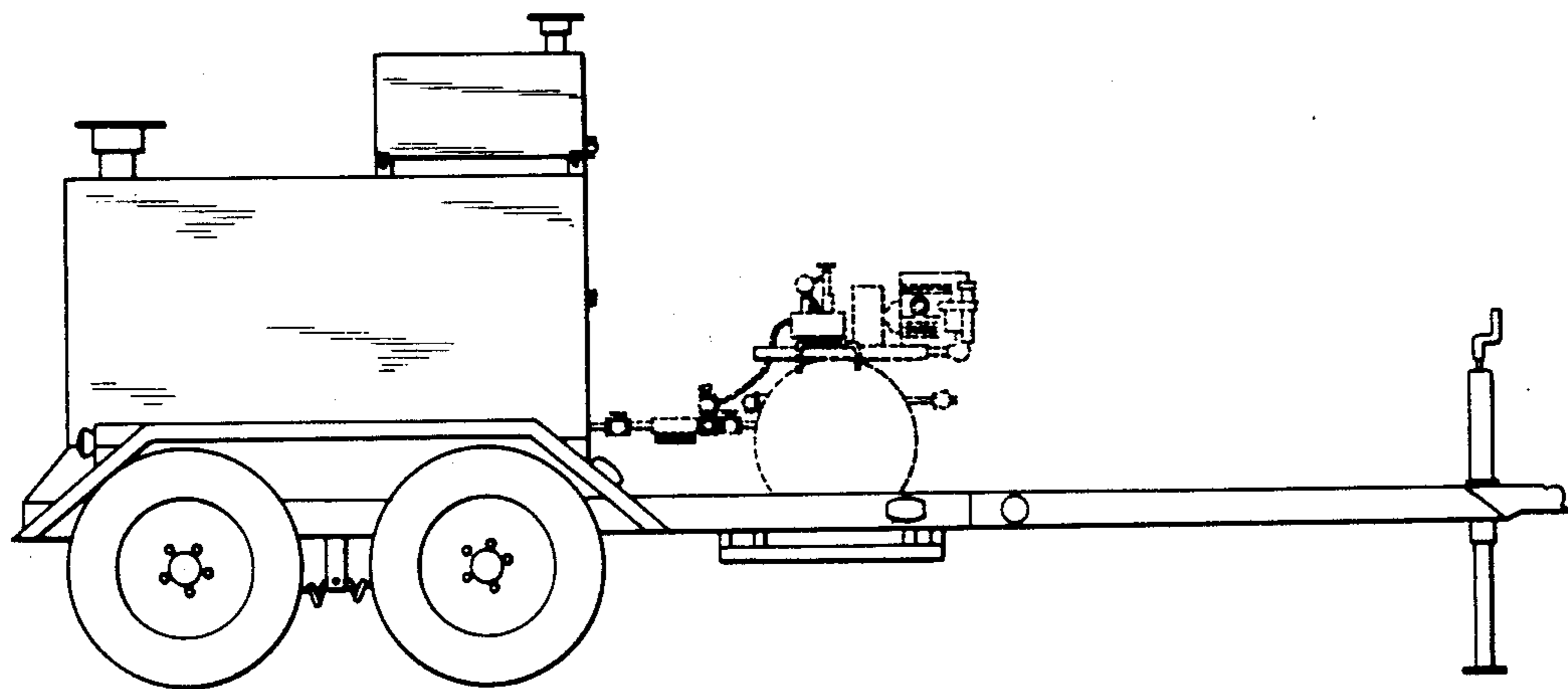


Fig. 1.

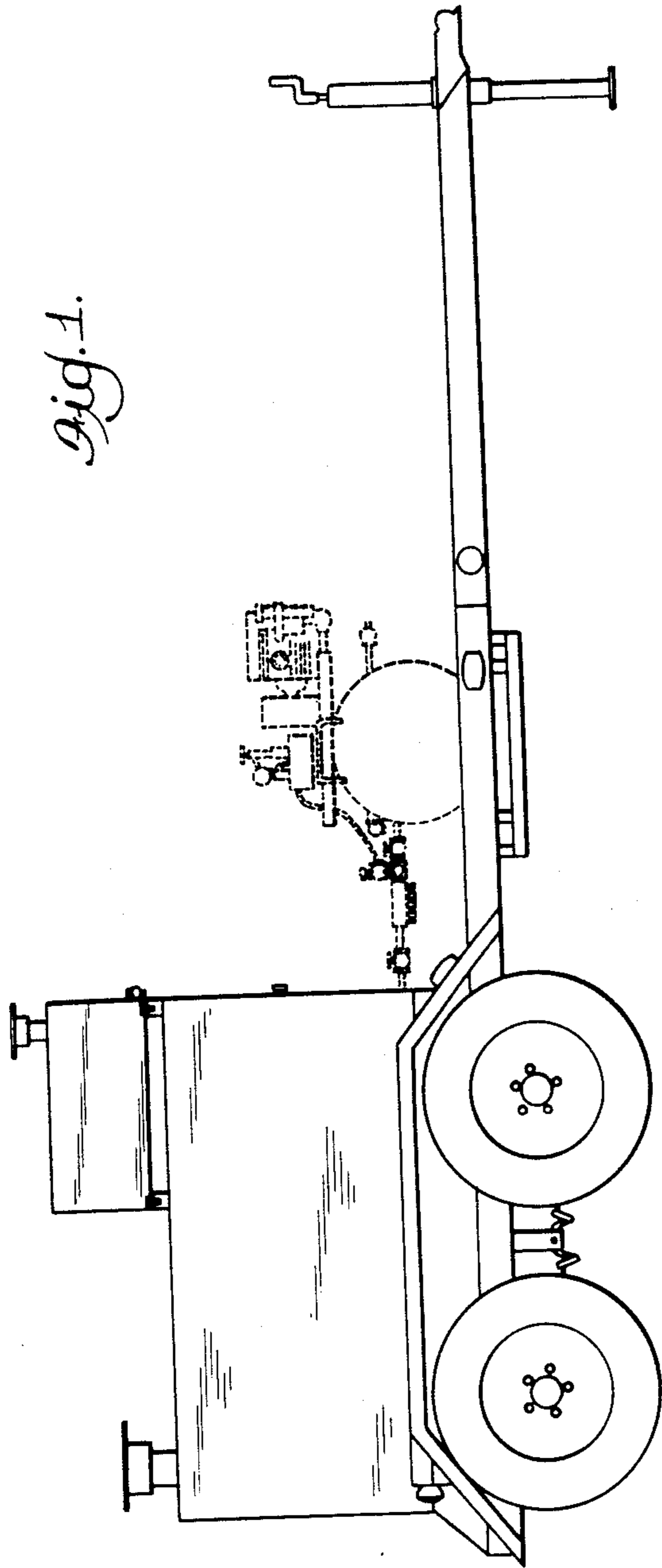
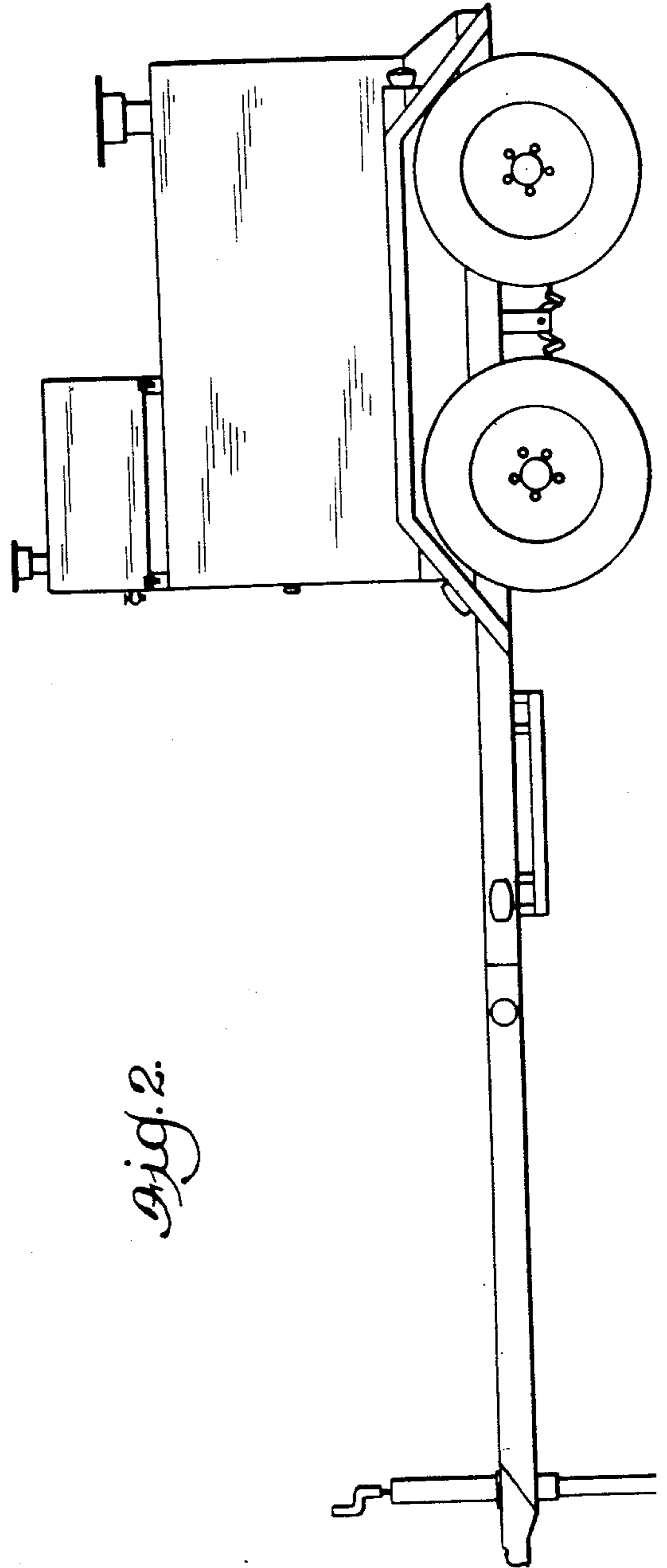


Fig. 2.



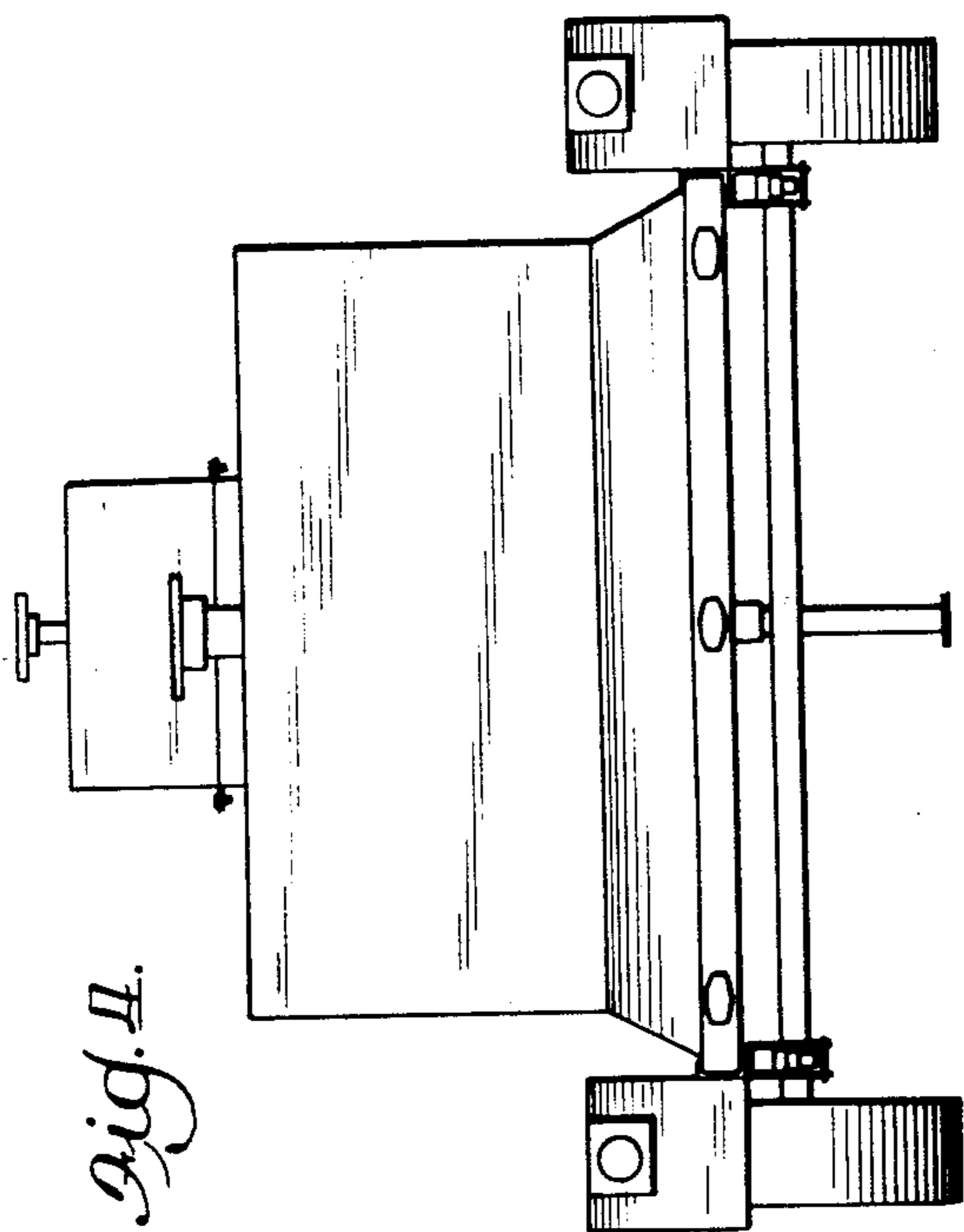


Fig. 1.

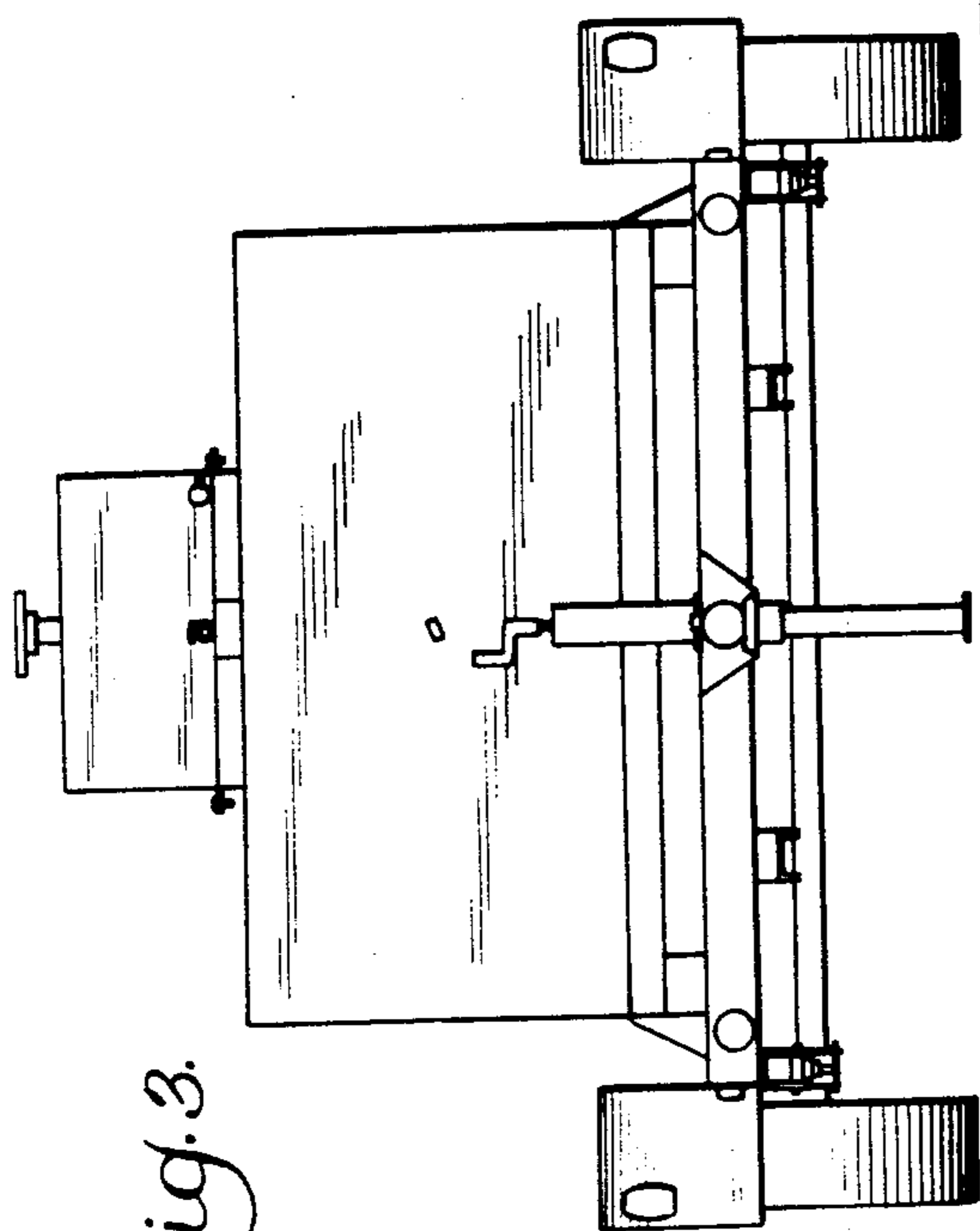


Fig. 2.

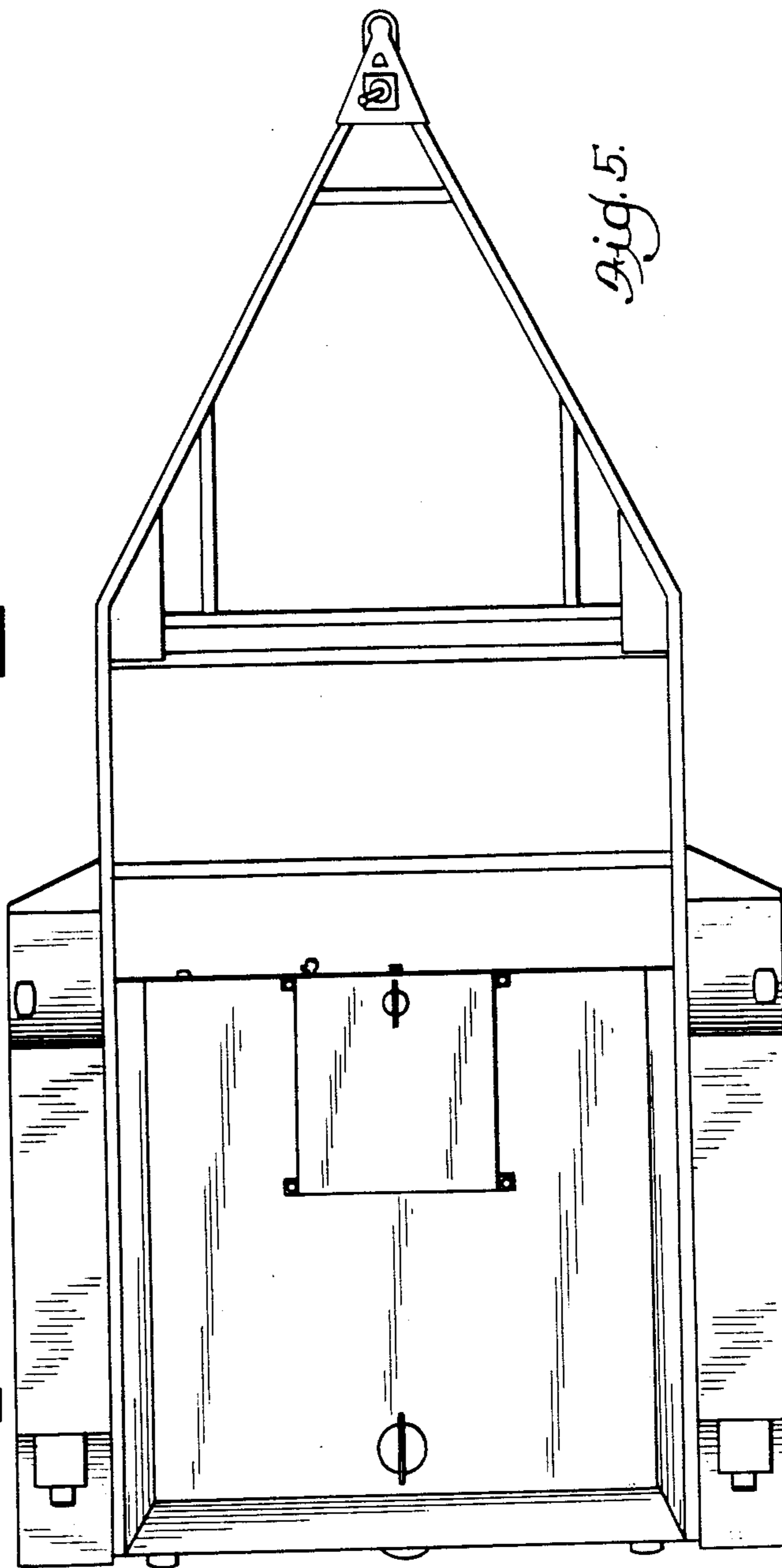


Fig. 3.