

[54] AUTOMOBILE CONSOLE MOUNTING STAND

[76] Inventor: Edward W. Fought, 1339 W. 10th St., Port Angeles, Wash. 98362

[**] Term: 14 Years

[21] Appl. No.: 824,297

[22] Filed: Aug. 15, 1977

[51] Int. Cl. D12-16

[52] U.S. Cl. D12/155

[58] Field of Search D12/155; 224/42.42 R, 224/42.11, 29 R, 42.45 R; 296/37.8, 37.1; 248/203; 70/57, 58

[56] References Cited

U.S. PATENT DOCUMENTS

D. 213,447 3/1969 Small D12/155

OTHER PUBLICATIONS

J. C. Whitney Catalog No. 334, © 1975, p. 15, Tape Player Holder, center of page.

J. C. Whitney Catalog No. 334, © 1975, p. 15, Tape Deck Floor Mount, center left side of page.

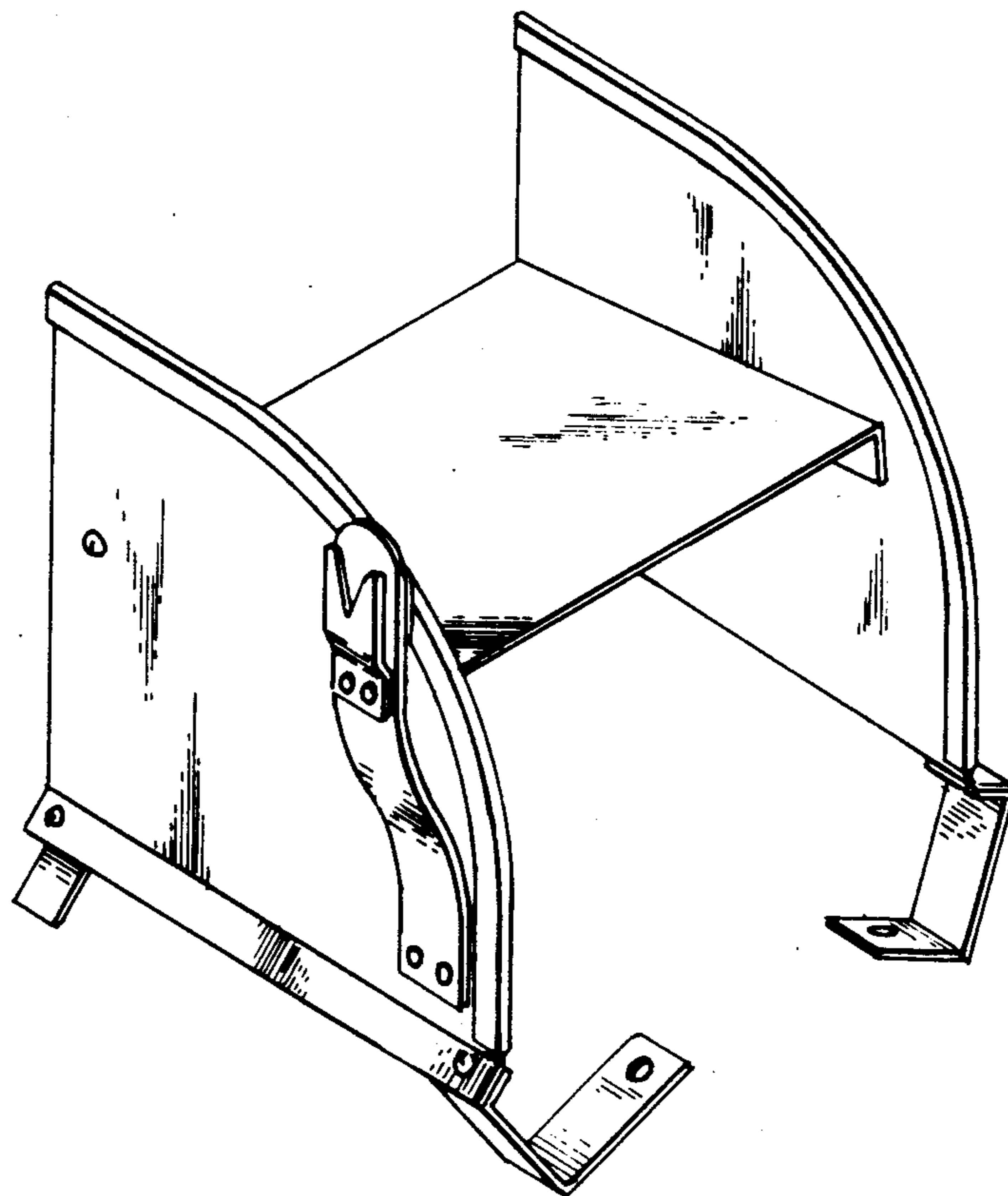
Primary Examiner—James M. Gandy
Attorney, Agent, or Firm—Richard W. Seed

[57] CLAIM

The ornamental design for an automobile console mounting stand, as shown.

DESCRIPTION

FIG. 1 is a top, front perspective view of the automobile console mounting stand showing my new design; FIG. 2 is a top, front perspective view thereof showing the side opposite to that in FIG. 1; FIG. 3 is a rear elevation view thereof.



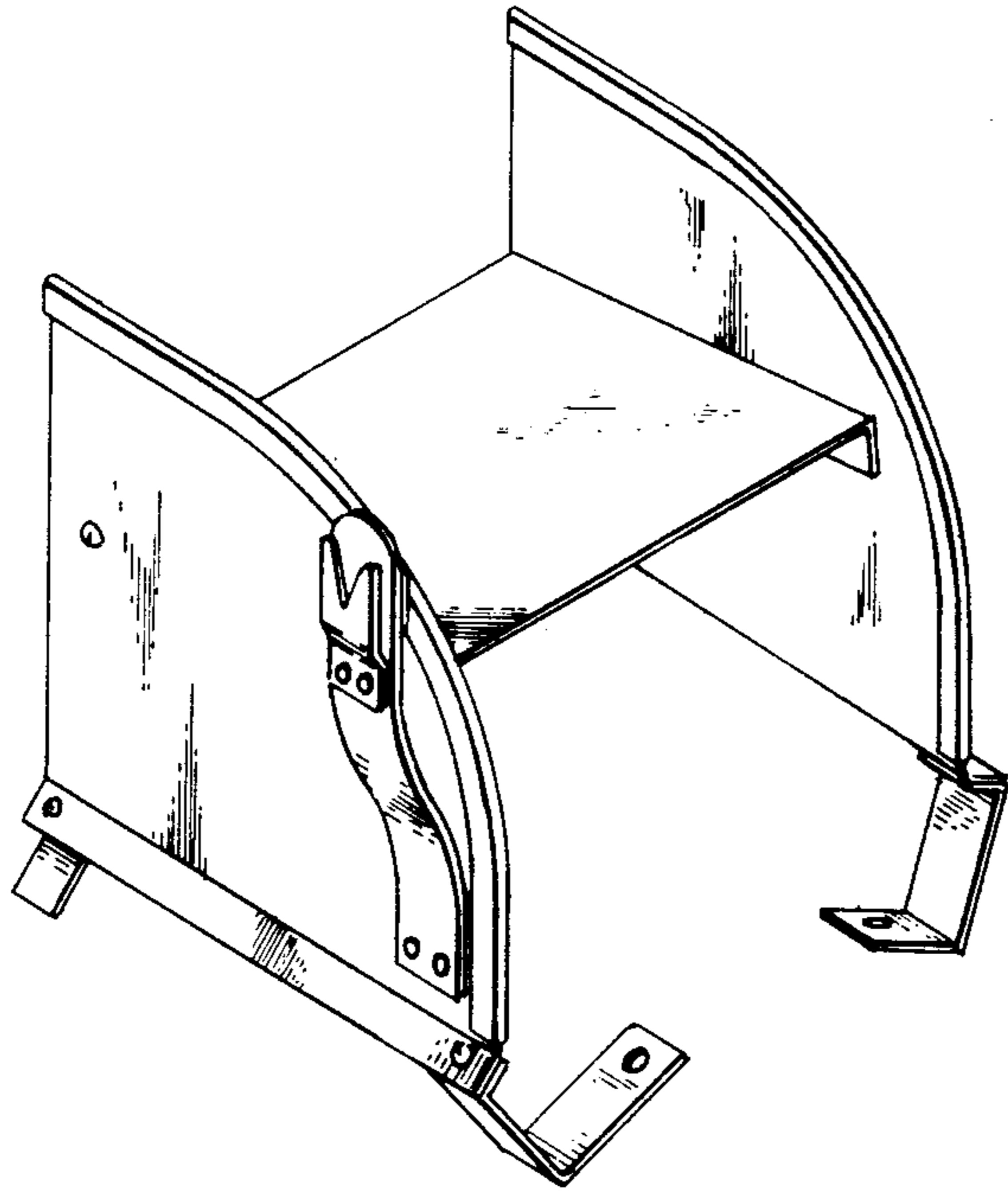


FIG. 1

FIG. 2

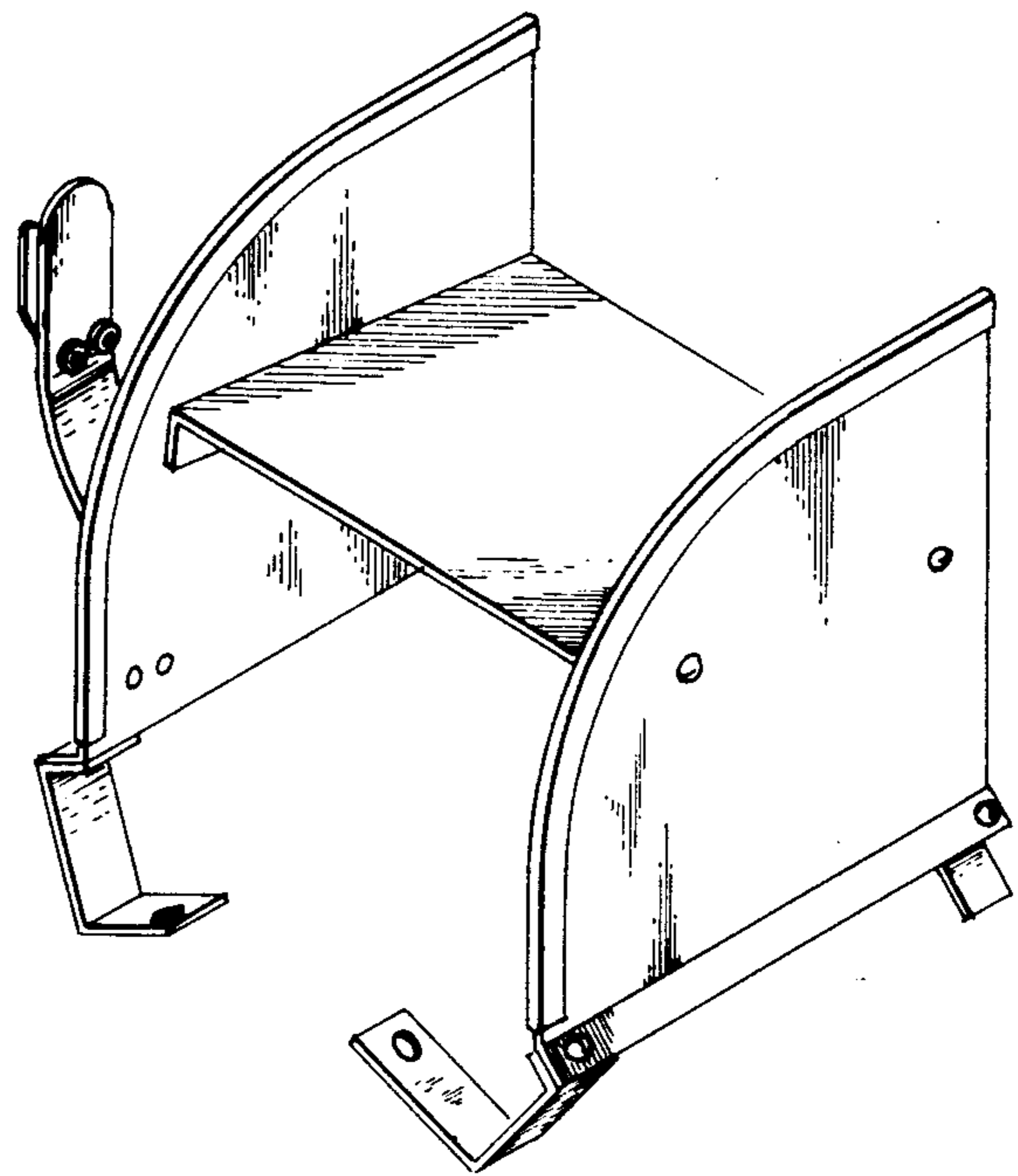


FIG. 3

