

[54] RING
 [75] Inventor: Bill Corbin, Austin, Tex.
 [73] Assignee: Artcarved Class Rings, Inc., New York, N.Y.
 [**] Term: 14 Years
 [21] Appl. No.: 862,349
 [22] Filed: Dec. 20, 1977
 [51] Int. Cl. D11-01
 [52] U.S. Cl. D11/33; D11/35
 [58] Field of Search D11/1-3, D11/26-31, 33-39, 86; 63/1 R, 1 A, 2, 15-15.8

D. 37,755 12/1905 Quayle D11/33
 D. 89,725 4/1933 Sizeler D11/31
 D. 110,615 7/1938 Glaser D11/31 X
 D. 146,448 3/1947 Kinsley D11/29

Primary Examiner—Louis S. Zarfes
 Attorney, Agent, or Firm—Louis Weinstein

[57] CLAIM

The ornamental design for a ring, as shown.

DESCRIPTION

FIG. 1 is a three-quarter perspective view of a ring, showing my new design;
 FIG. 2 is a side elevational view of the ring of FIG. 1, showing my new design;
 FIG. 3 is a top perspective view of the ring of FIG. 1, showing my new design;
 FIG. 4 is a bottom perspective view of the ring of FIG. 1, showing my new design.

[56] References Cited
 U.S. PATENT DOCUMENTS
 D. 16,126 6/1885 Huestis D11/35

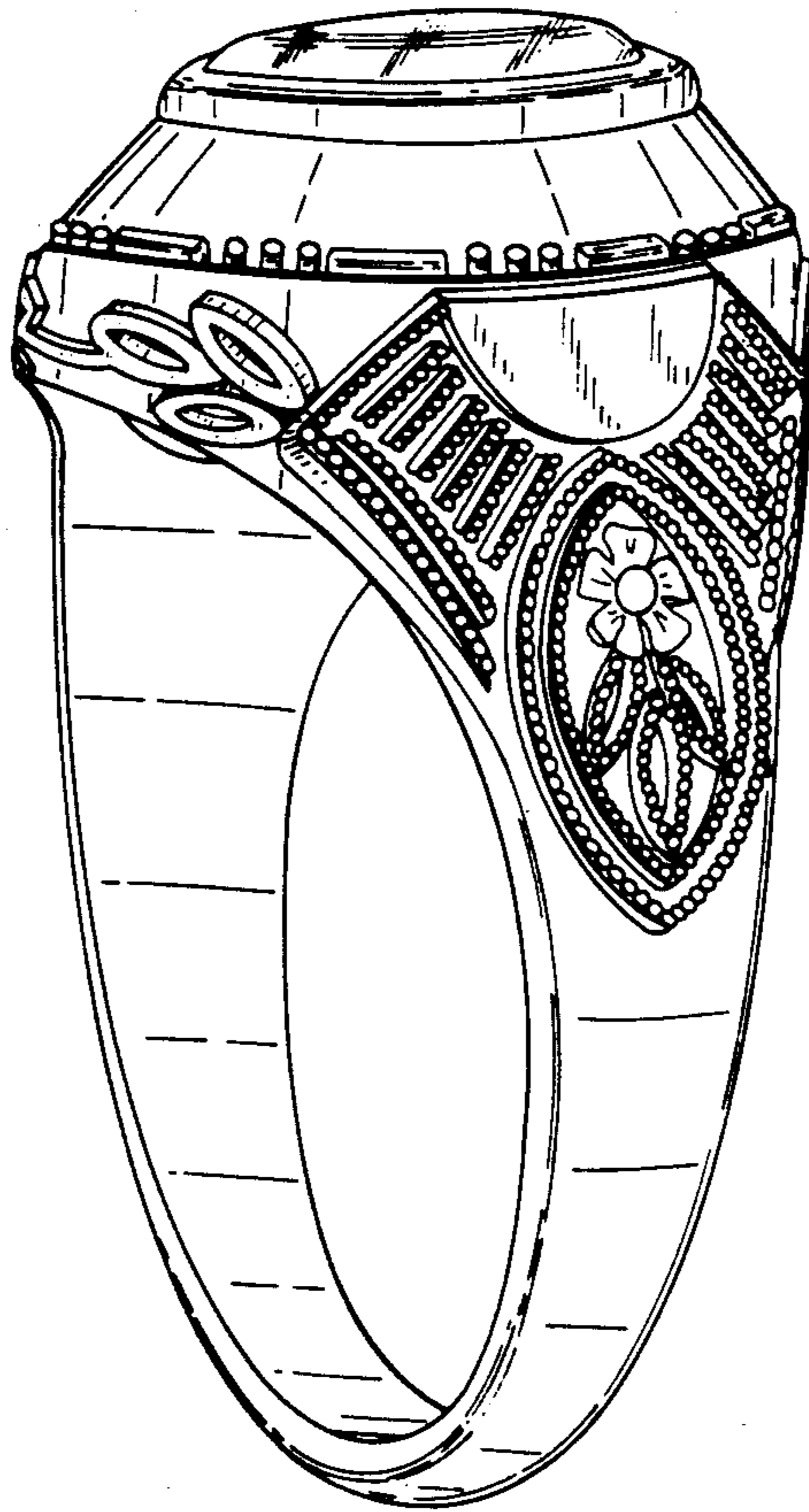


FIG. 2

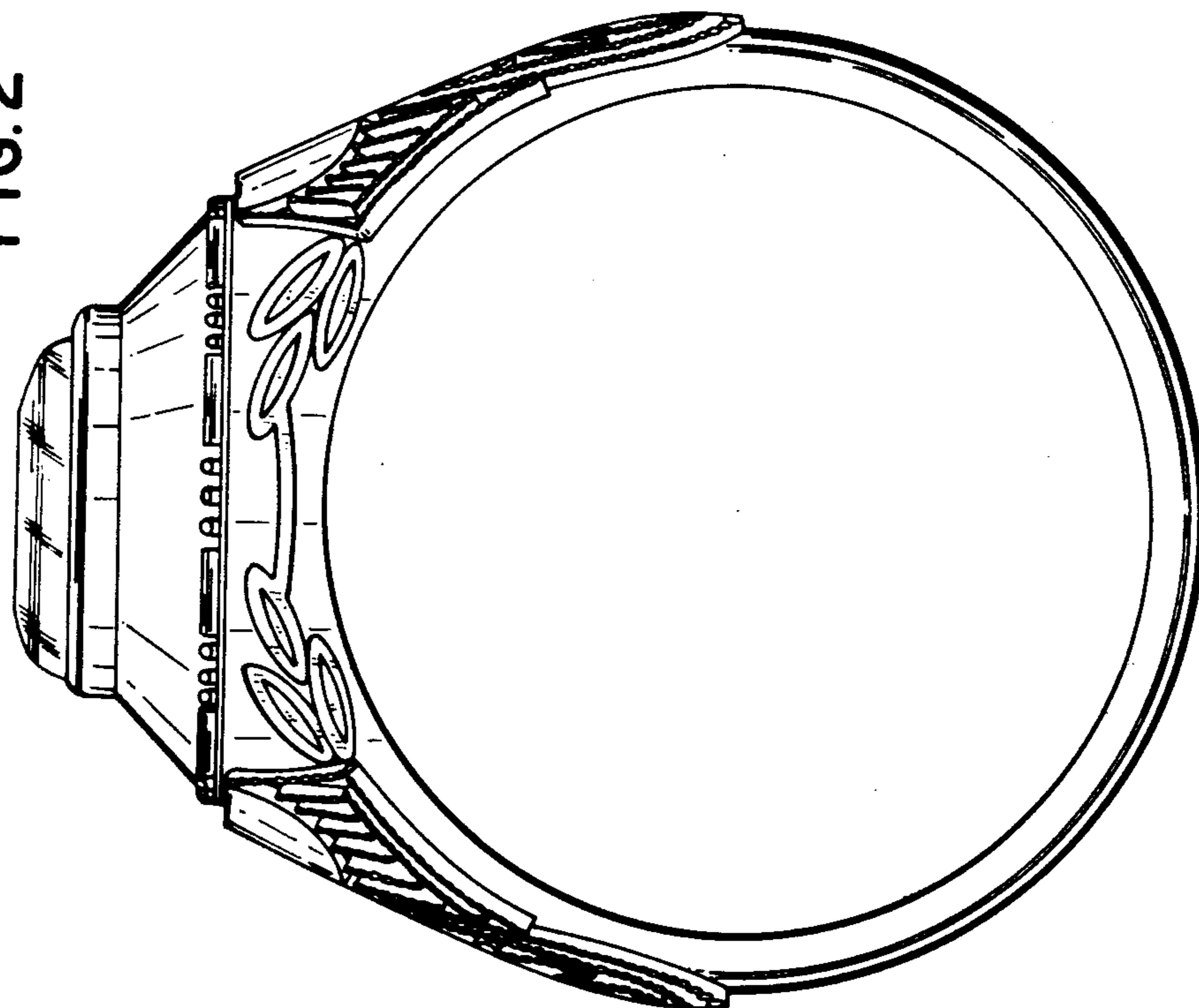
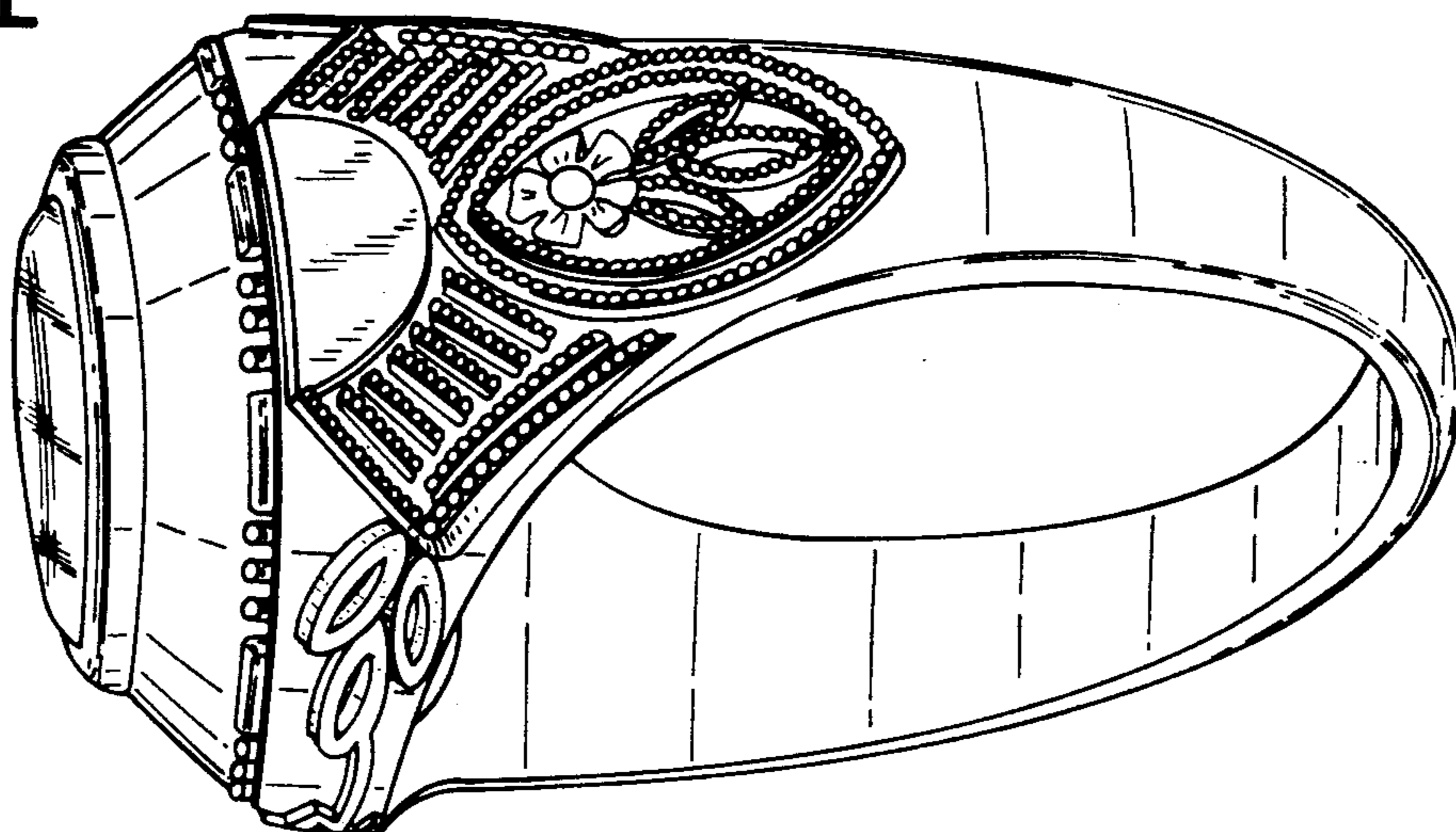


FIG. 1



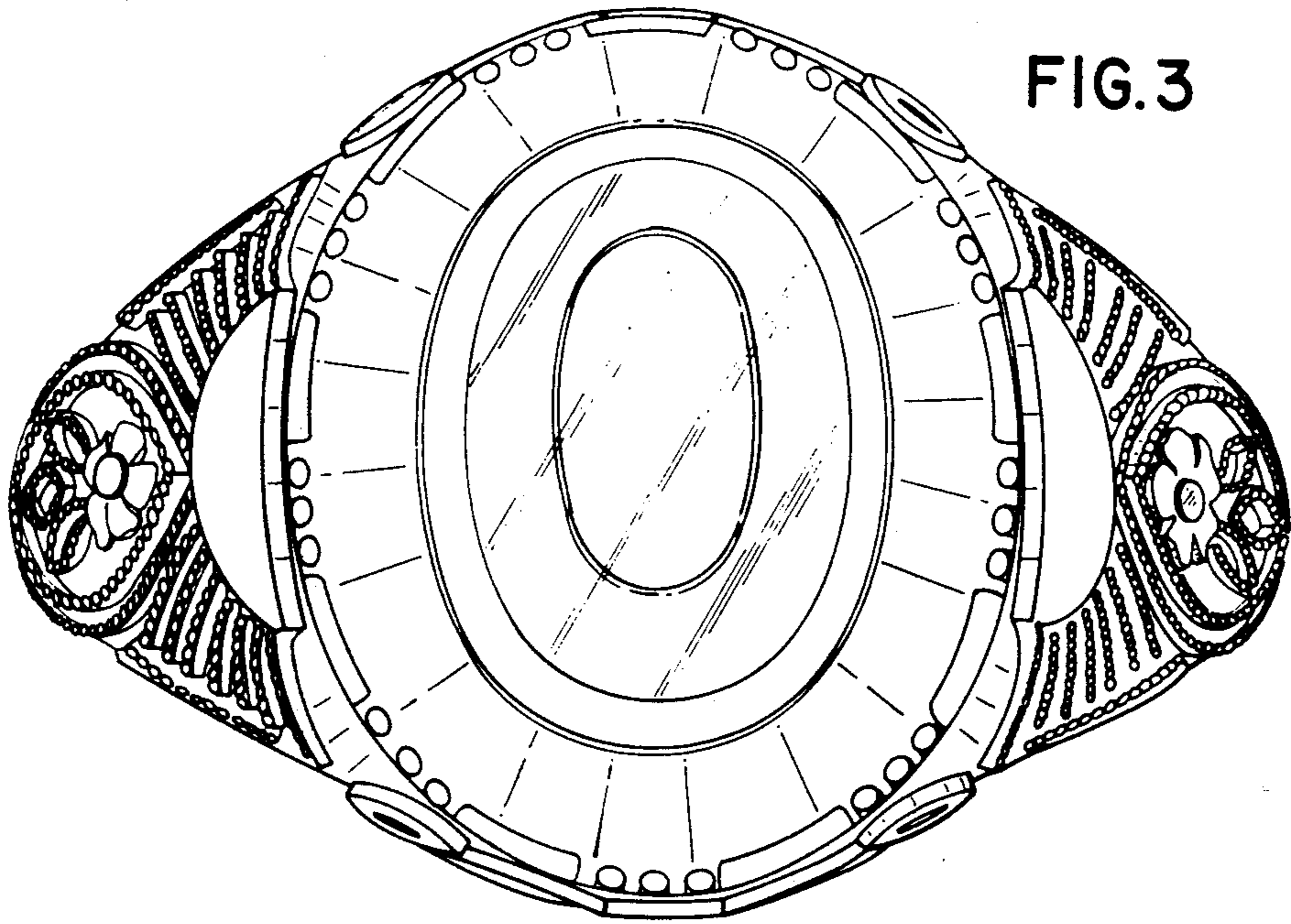


FIG. 3

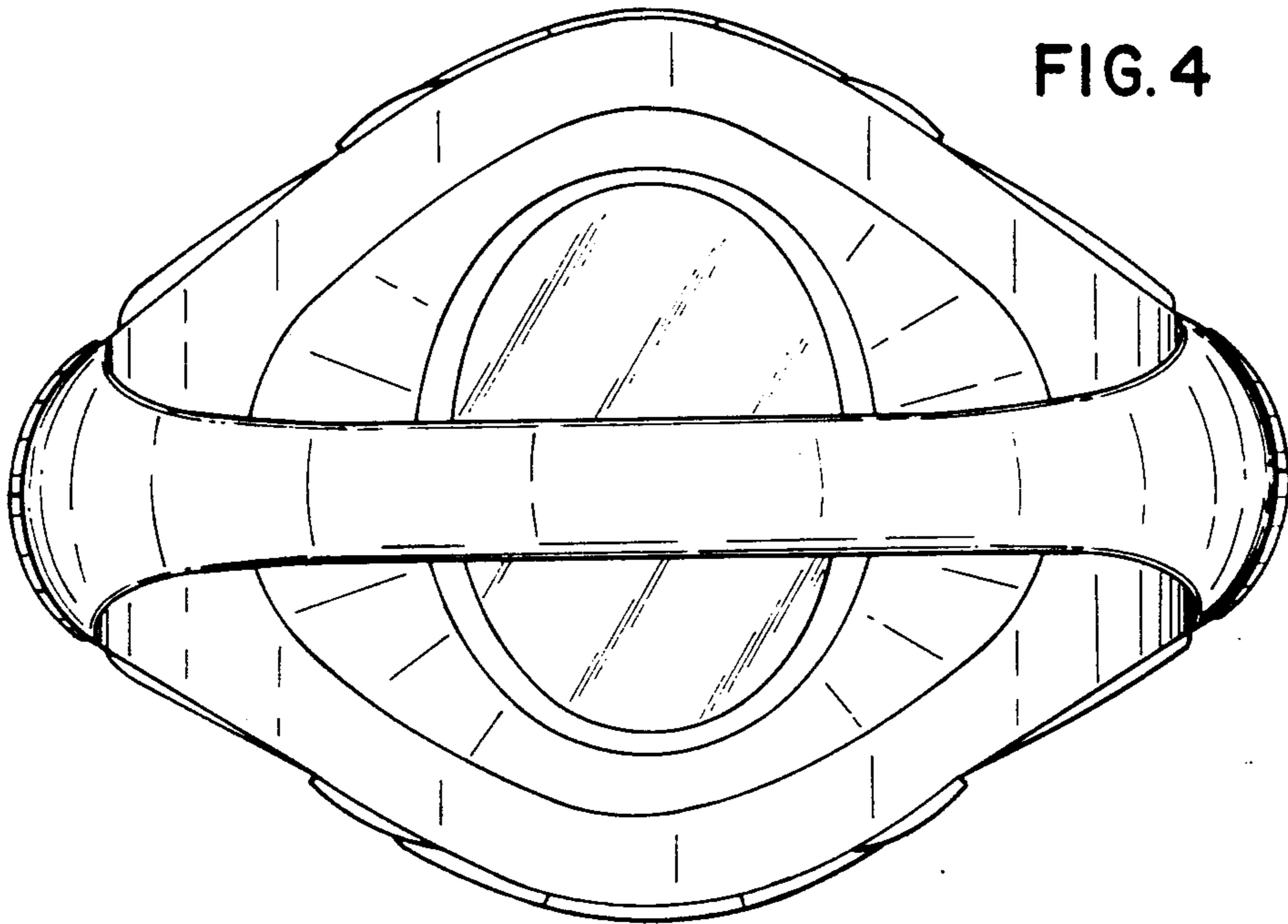


FIG. 4