

[54] ELEVATOR FLOOR REGISTRATION  
BUTTON

[75] Inventor: Denis E. Bedel, Pittsburgh, Pa.

[73] Assignee: Westinghouse Electric Corp.,  
Pittsburgh, Pa.

[\*\*] Term: 14 Years

[21] Appl. No.: 791,369

[22] Filed: Apr. 27, 1977

[51] Int. Cl. .... D10-06

[52] U.S. Cl. .... D10/108

[58] Field of Search ..... D13/12, 32, 35, 37,  
D13/38; D10/121, 108; 200/5 R, 5 A, 6 R, 11  
R, 153 K, 159 R, 340; 340/19 R, 20, 21;  
116/122, 114 G, 64

[56] References Cited

U.S. PATENT DOCUMENTS

D. 214,705 7/1969 Broun ..... D10/108  
3,952,837 4/1976 Rice ..... 340/19 R X

FOREIGN PATENT DOCUMENTS

175175 2/1922 United Kingdom ..... 340/19 R

OTHER PUBLICATIONS

Design, 11-1957, p. 67, Postal Letter Plate, (top).

Primary Examiner—Susan J. Lucas

Attorney, Agent, or Firm—C. L. McHale

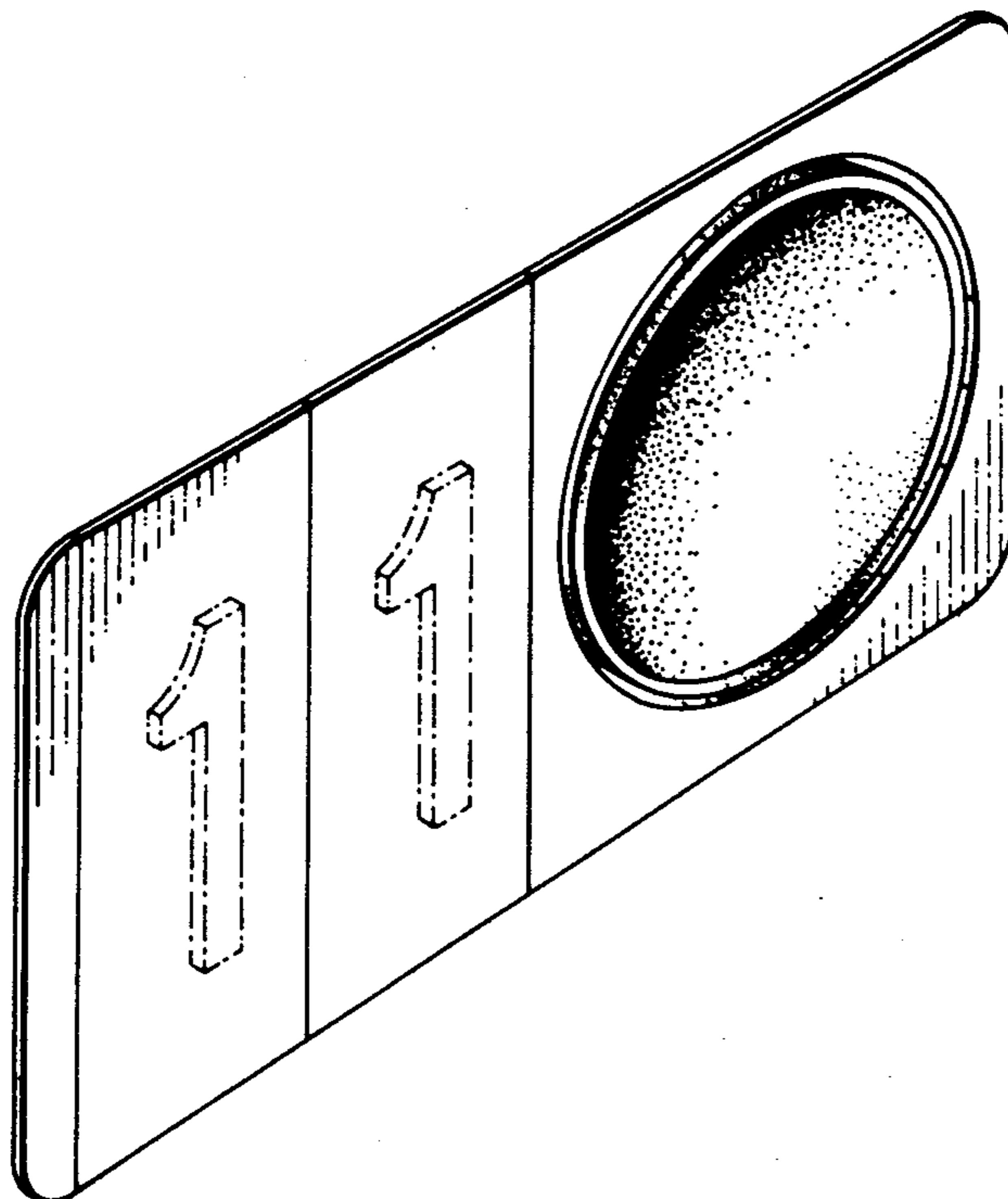
[57] CLAIM

The ornamental design for an elevator floor registration  
button, as shown and described.

DESCRIPTION

FIG. 1 is a front perspective view of an elevator floor  
registration button showing the new design;  
FIG. 2 is a front view of the design;  
FIG. 3 is a top view of the design; and  
FIG. 4 is an elevational view of the left side of the  
design.

The numerals are shown in broken lines for illustrative  
purposes only. The button is stippled to show contrast  
between the button and plate and to indicate a gentle  
concave curvature in the face of the button.



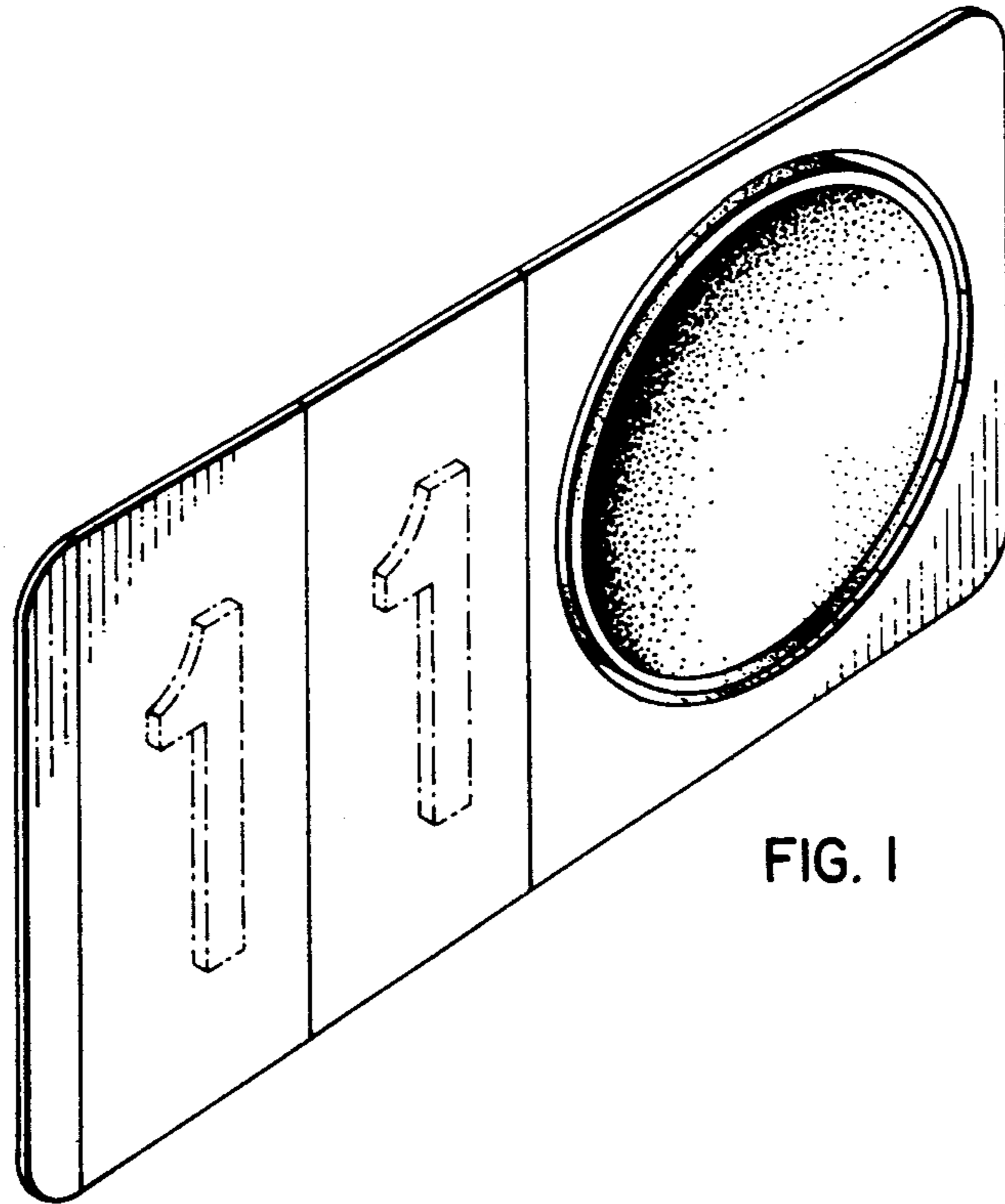


FIG. 1



FIG. 3



FIG. 4

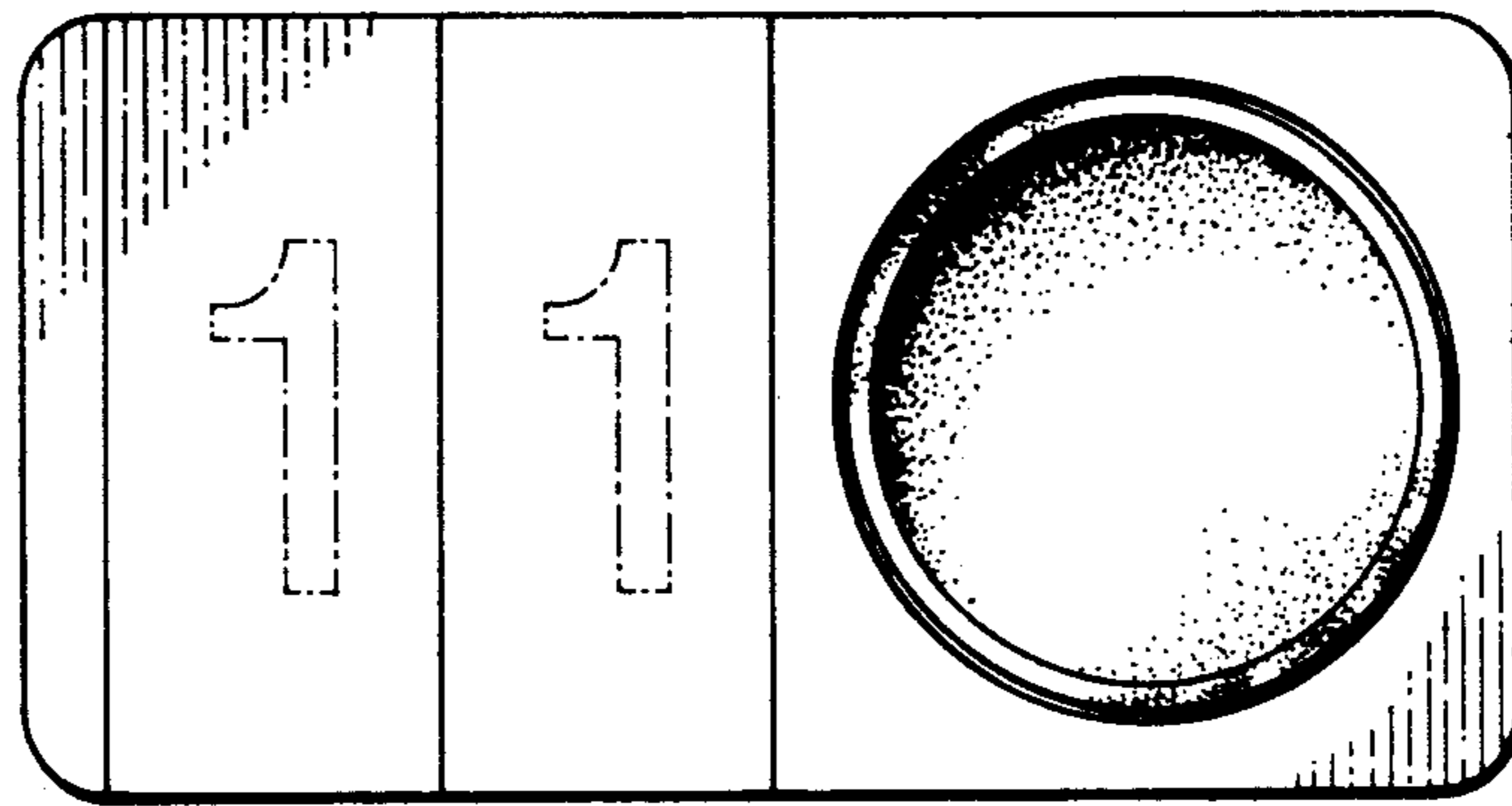


FIG. 2