

[54] COVER FOR A CONTAINER

[75] Inventor: Robert H. C. M. Daenen, Hekelgem, Belgium

[73] Assignee: Dart Industries Inc., Los Angeles, Calif.

[**] Term: 14 Years

[21] Appl. No.: 849,067

[22] Filed: Nov. 7, 1977

[51] Int. Cl. D9-07

[52] U.S. Cl. D9/254; D9/290

[58] Field of Search D9/219, 237-240, D9/254, 290; D7/17, 83, 85, 40, 43; 220/306, 254, 1 E, 23.83, 23.86, 226; 222/560, 566, 567, 570, 562; 150/0.5; 215/100 R

[56] References Cited

U.S. PATENT DOCUMENTS

D. 198,761	7/1964	Roe	215/100 R
3,307,602	3/1967	Boster	150/0.5
4,000,839	1/1977	Tecco et al.	222/562

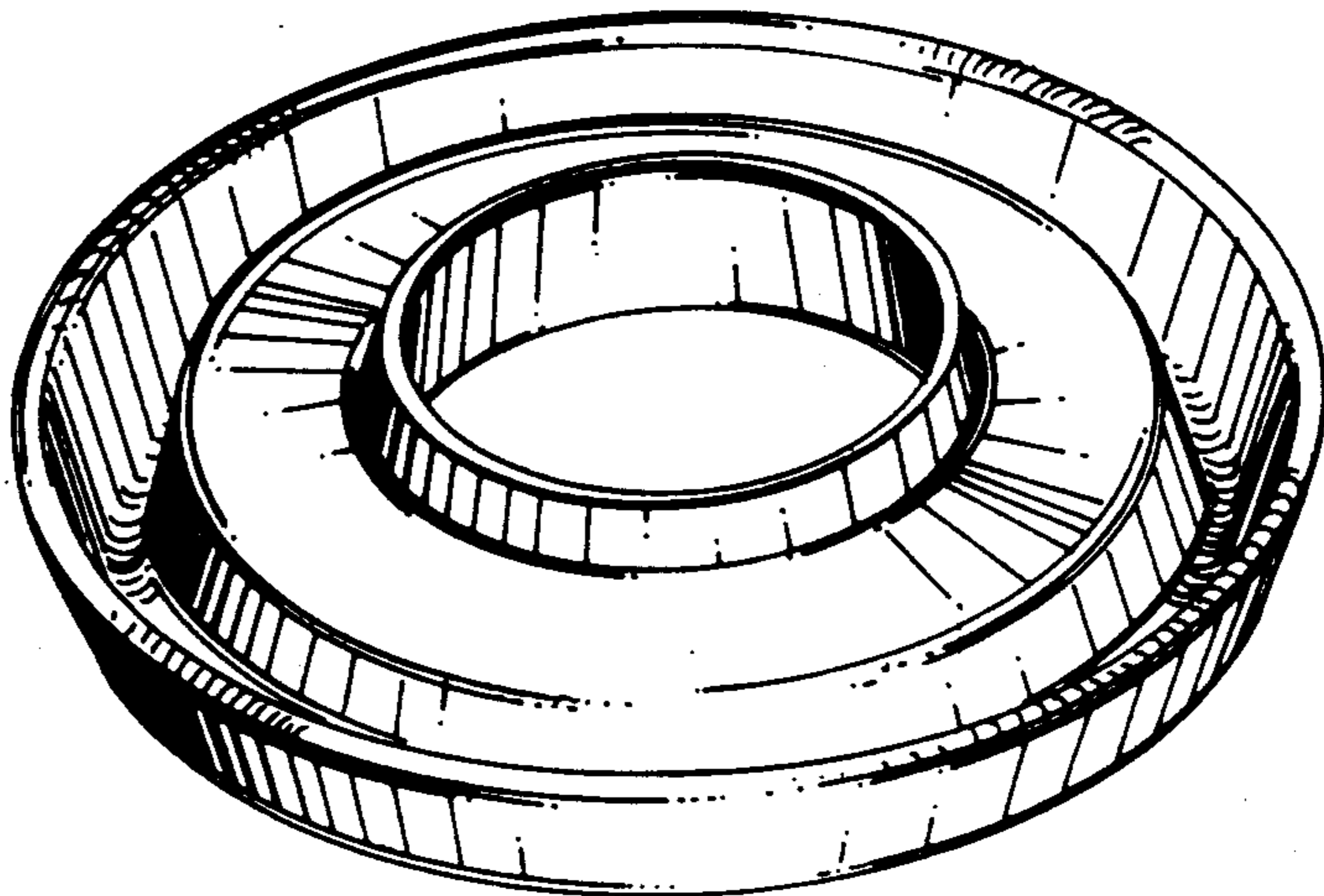
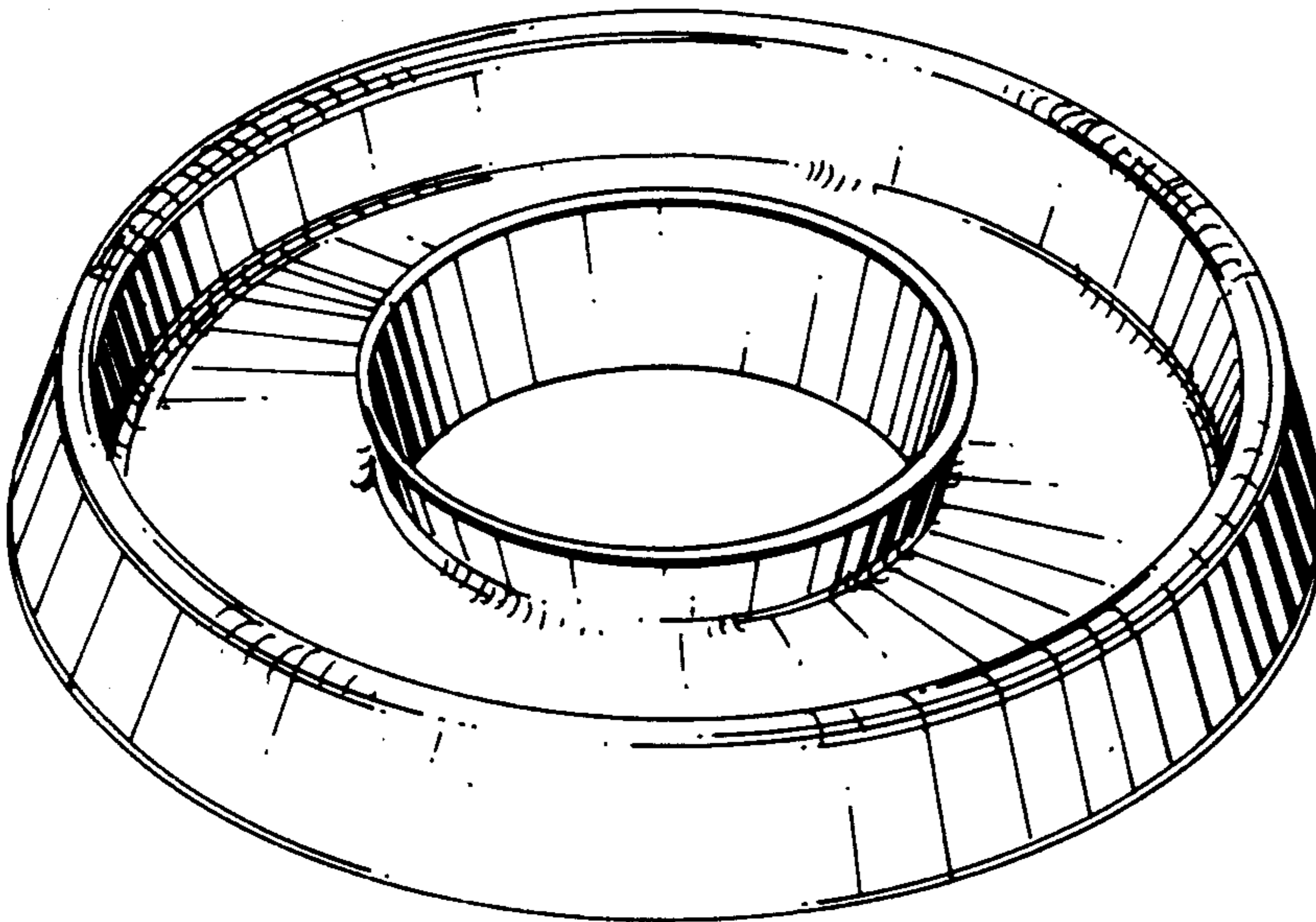
Primary Examiner—Joel Stearman
Assistant Examiner—Carmen H. Vales
Attorney, Agent, or Firm—Leigh B. Taylor

[57] CLAIM

The ornamental design for a cover for a container, as shown and described.

DESCRIPTION

FIG. 1 is a top perspective view of a cover for a container showing my new design; FIG. 2 is a top plan view thereof; FIG. 3 is a bottom perspective view thereof; FIG. 4 is a bottom plan view thereof; and, FIG. 5 is a vertical sectional view taken along line 5—5 of FIG. 2.



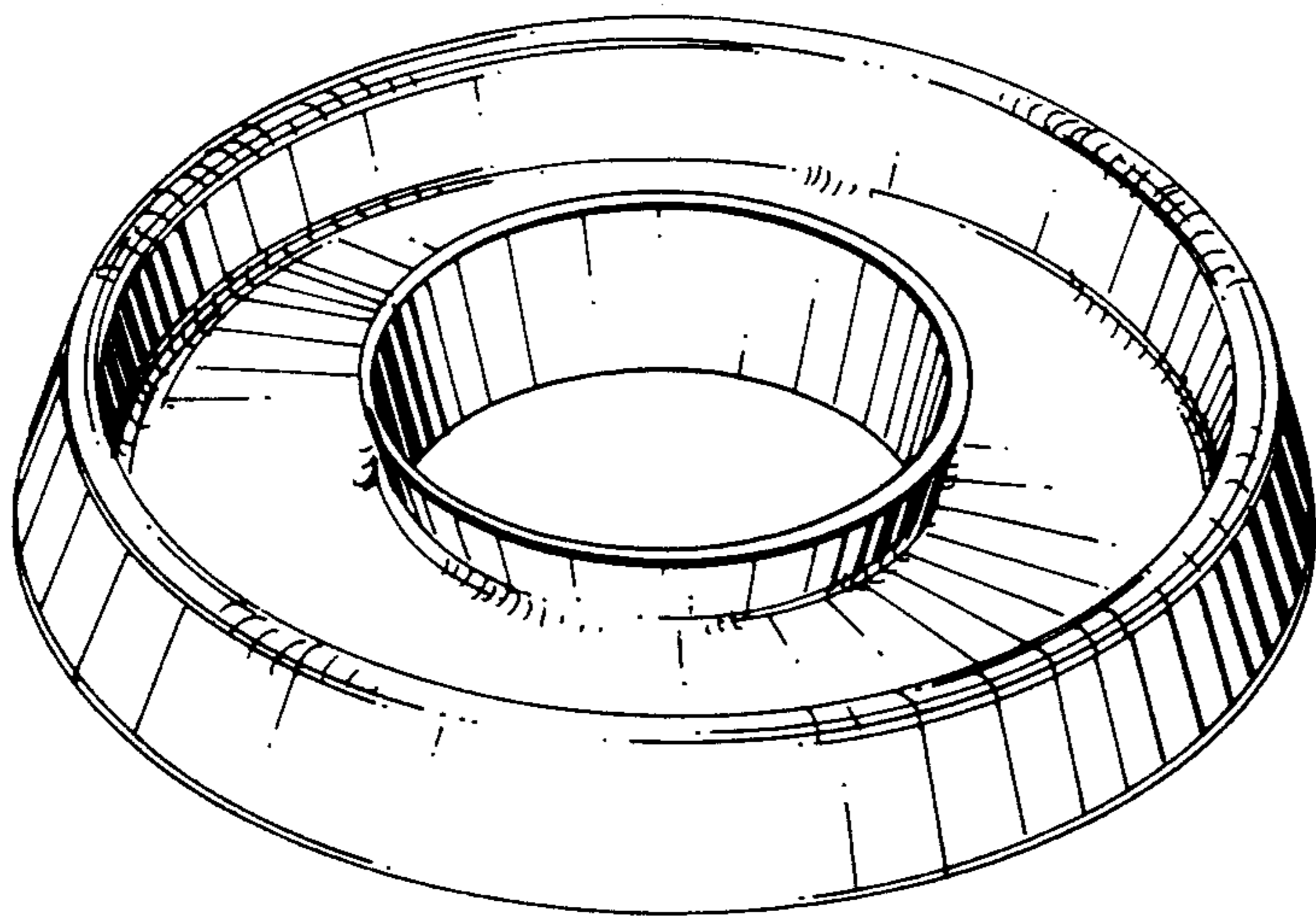


FIG. 1

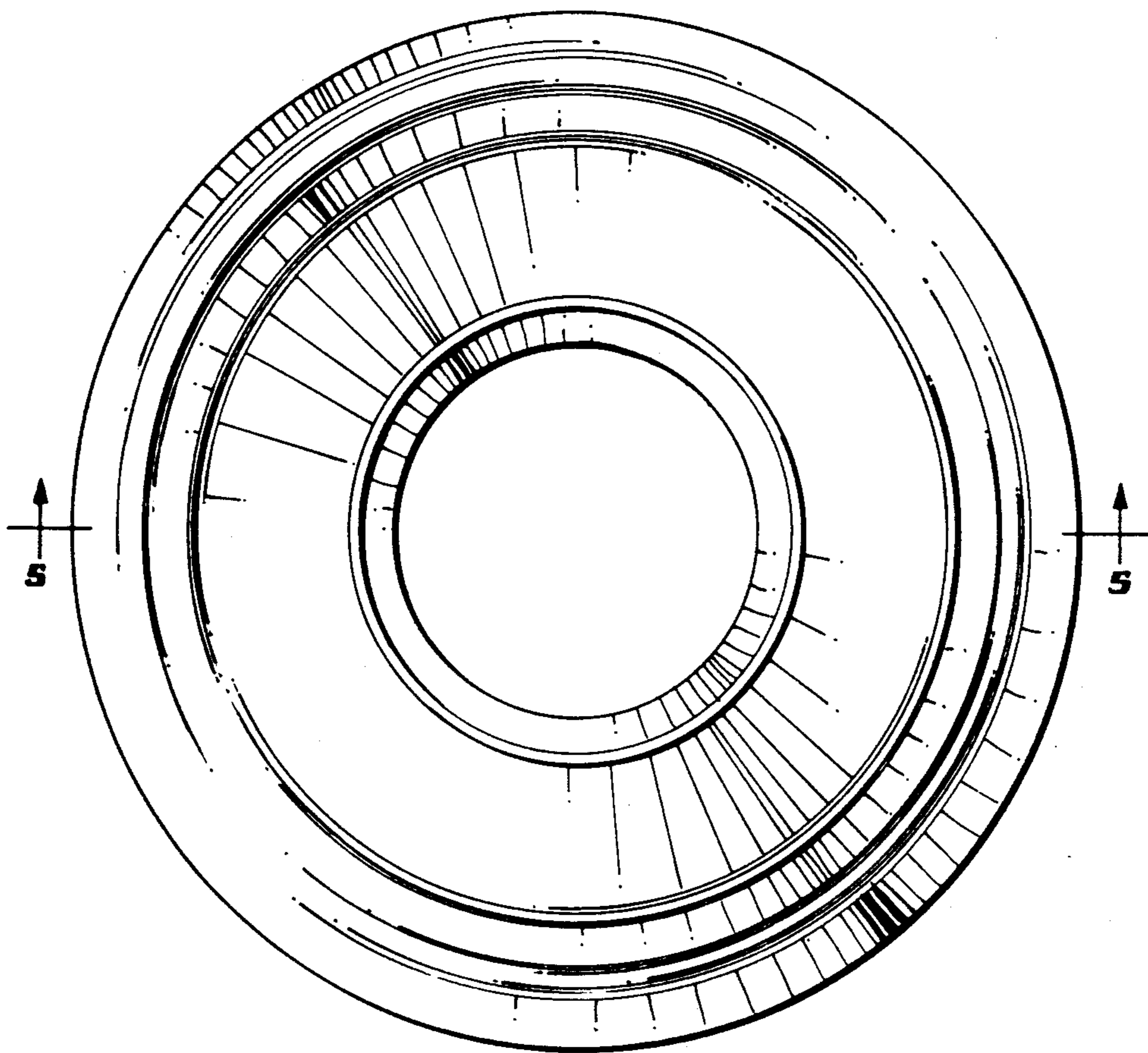


FIG. 2

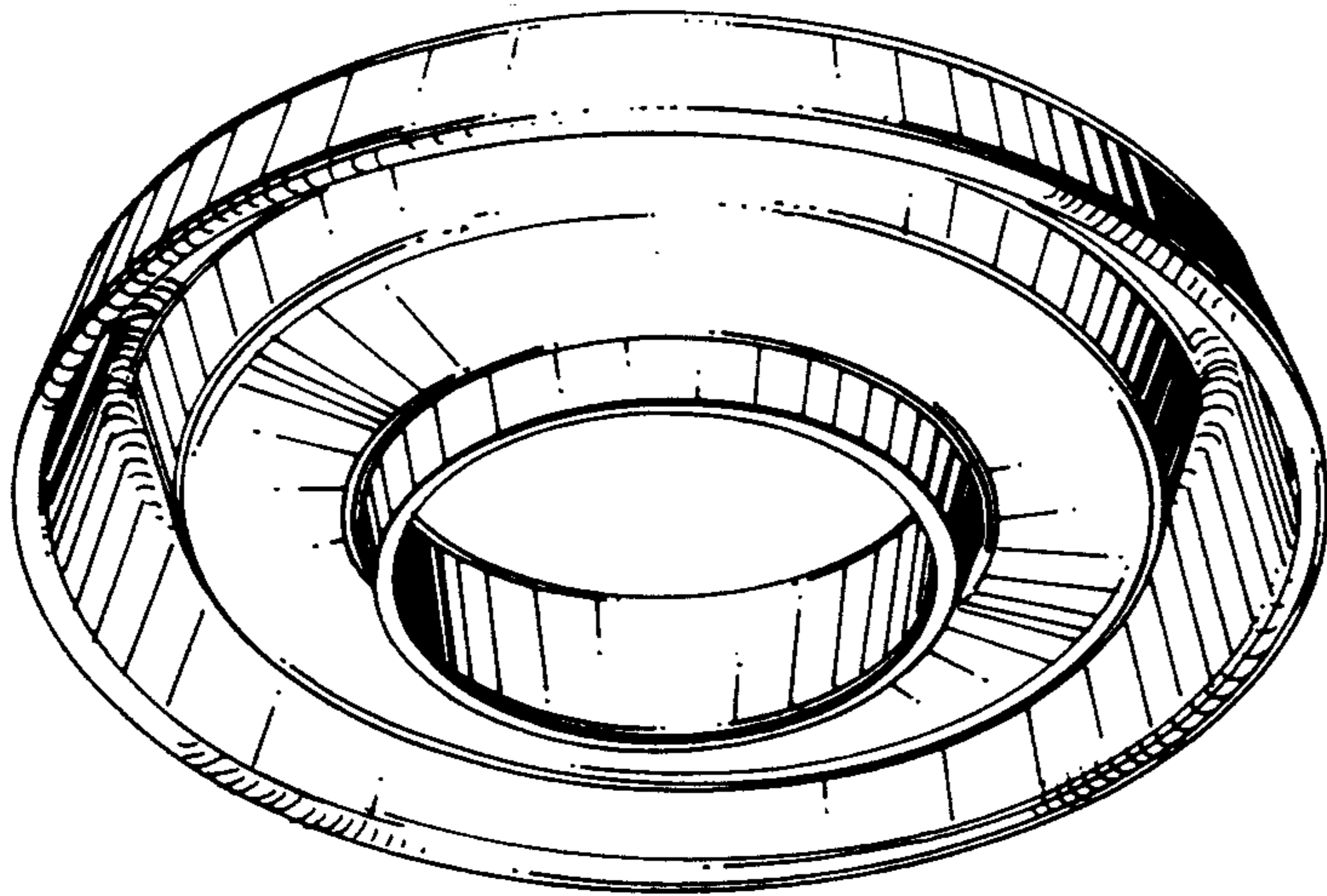


FIG. 3

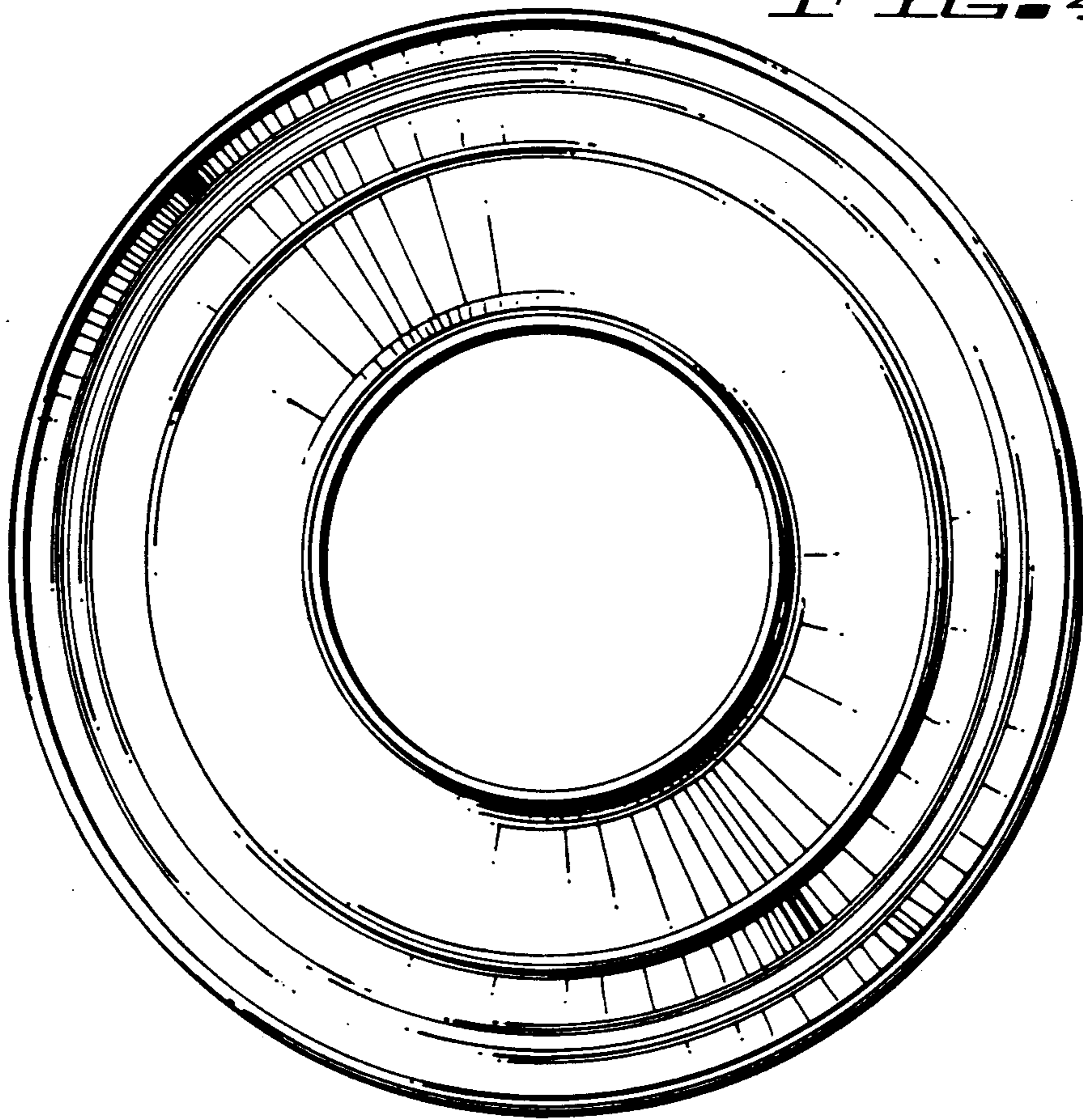


FIG. 4

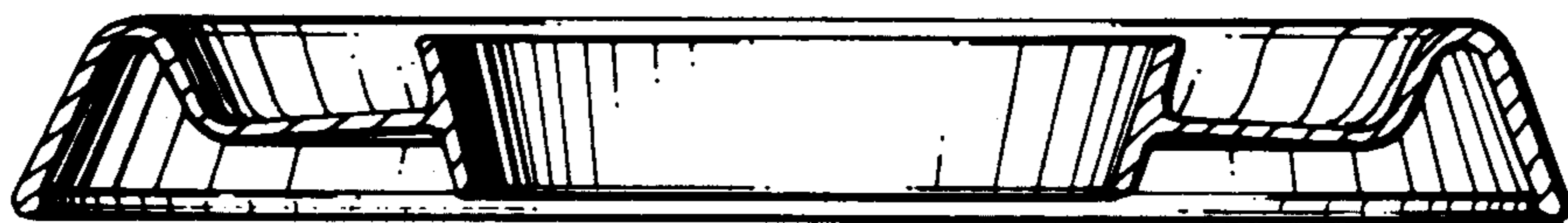


FIG. 5