

[54] SKILLET

[75] Inventors: R. C. Zinkgraf, West Bend, Wis.;
David L. Painter, Glenview, Ill.

[73] Assignee: Dart Industries Inc., Los Angeles,
Calif.

[**] Term: 14 Years

[21] Appl. No.: 850,182

[22] Filed: Nov. 10, 1977

[51] Int. Cl. D7-02

[52] U.S. Cl. D7/94

[58] Field of Search D7/85, 94, 96, 97, 123,
D7/87, 90, 121, 125

[56] References Cited

U.S. PATENT DOCUMENTS

D. 115,298 6/1939 Platt D7/94

D. 191,385 9/1961 Wright D7/123
D. 199,747 12/1964 Farber D7/97
D. 206,389 12/1966 Ernest D7/94
D. 232,148 7/1974 Yarrington D7/94

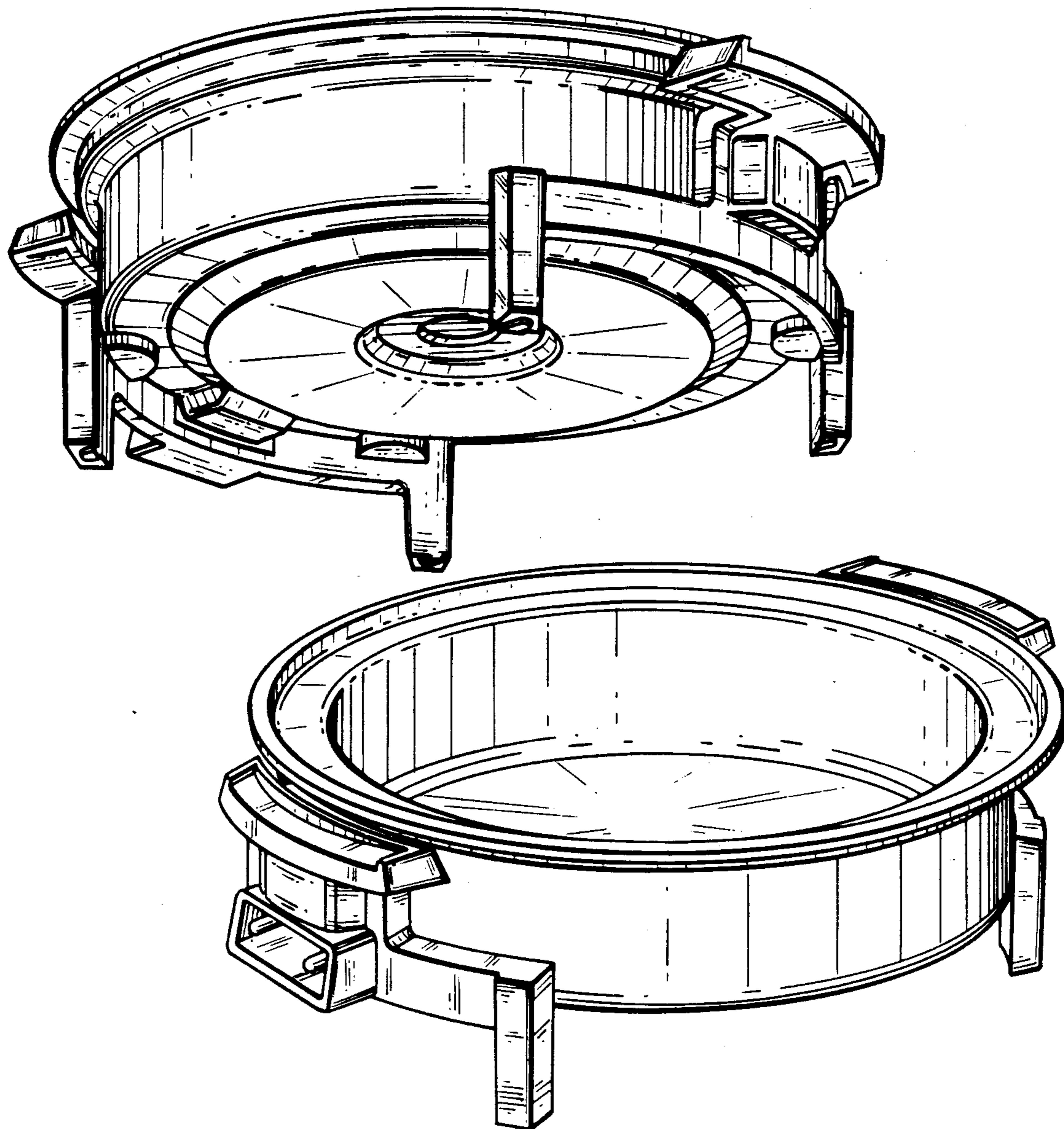
Primary Examiner—Winifred E. Herrmann
Attorney, Agent, or Firm—Kenneth J. Hovet

[57] CLAIM

The ornamental design for a skillet, substantially as shown and described.

DESCRIPTION

FIG. 1 is a top perspective view of the skillet embodying our design;
FIG. 2 is a side elevational view thereof;
FIG. 3 is a top plan view thereof;
FIG. 4 is a bottom perspective view thereof;
FIG. 5 is a front elevational view thereof;
FIG. 6 is a back elevational view thereof; and,
FIG. 7 is a bottom plan view thereof.



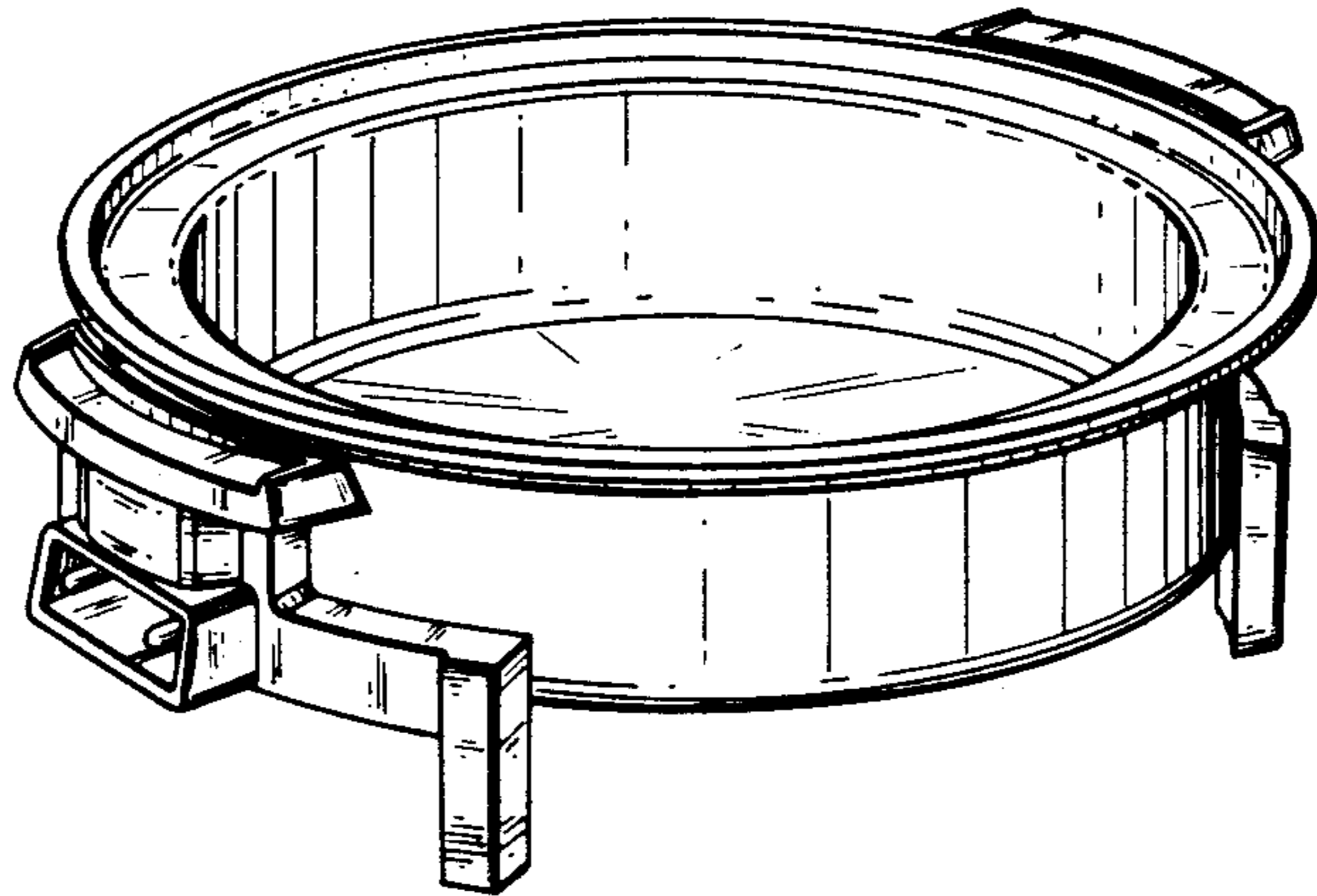


FIG. 1

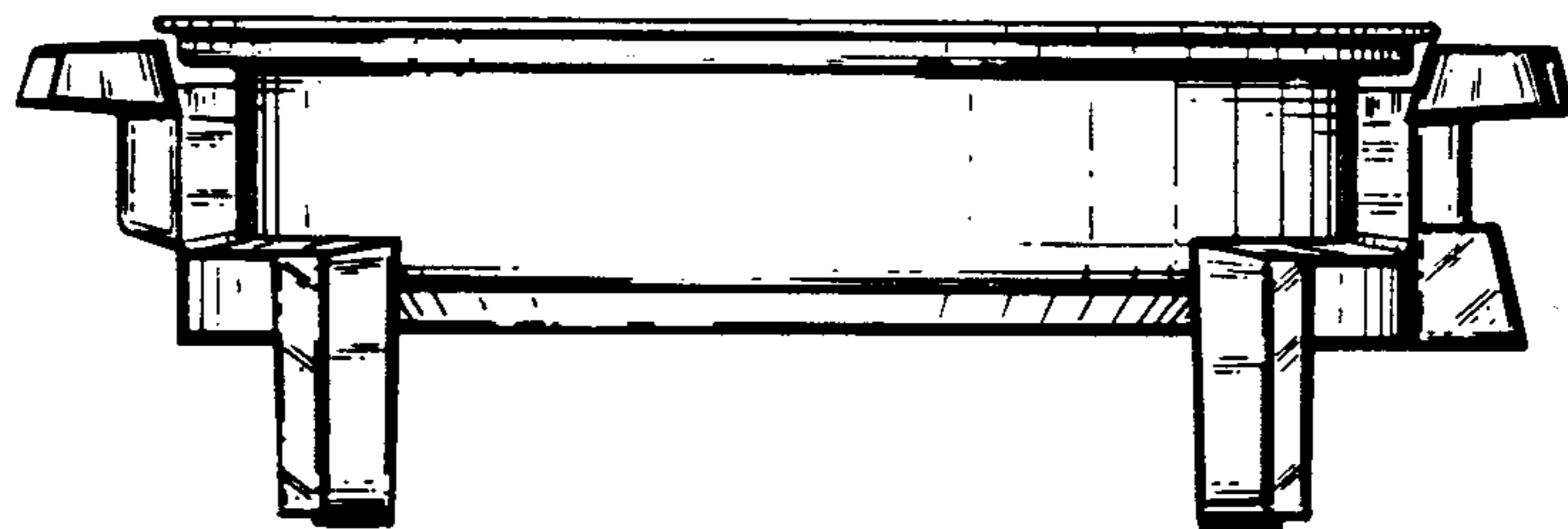


FIG. 2

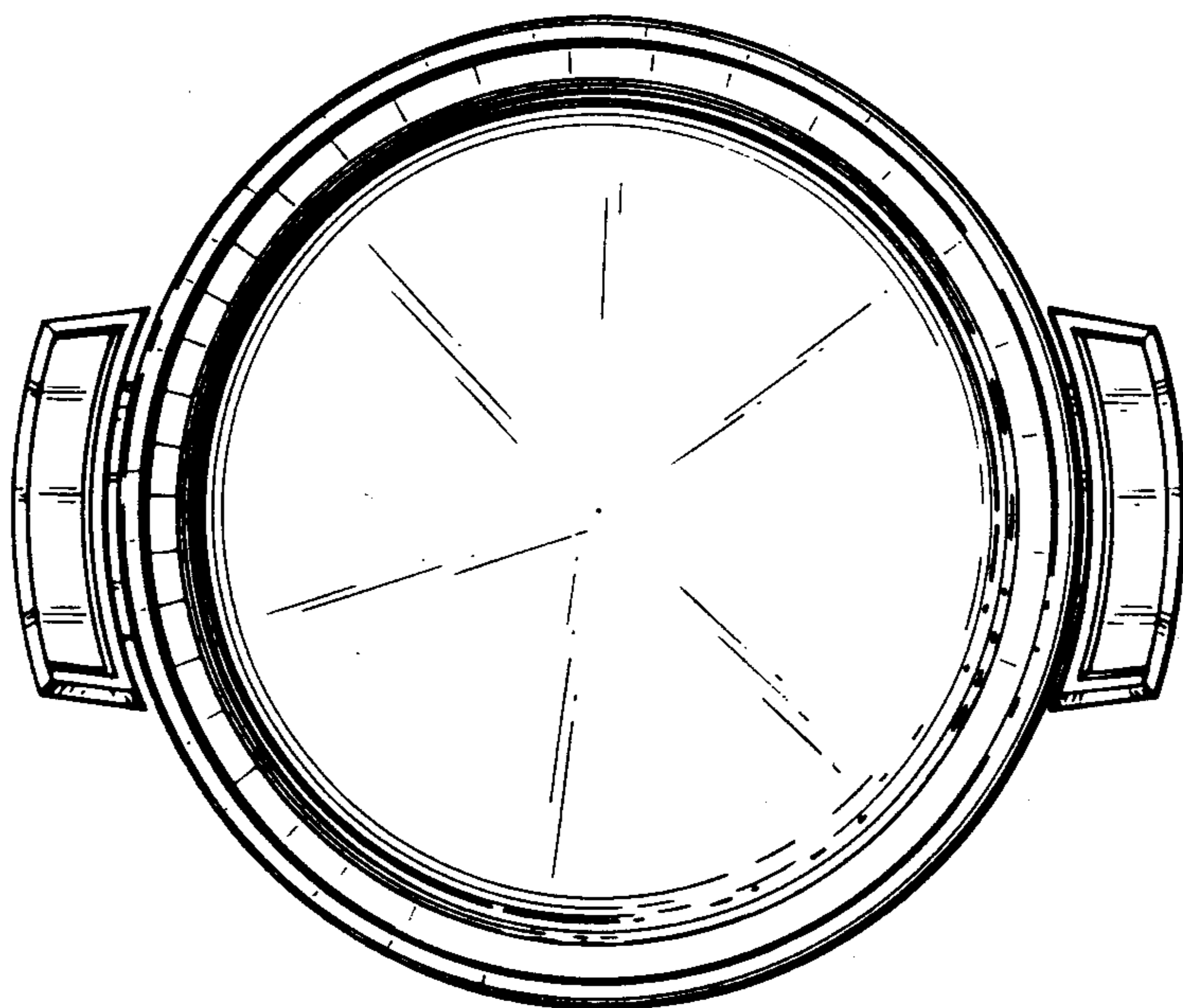


FIG. 3

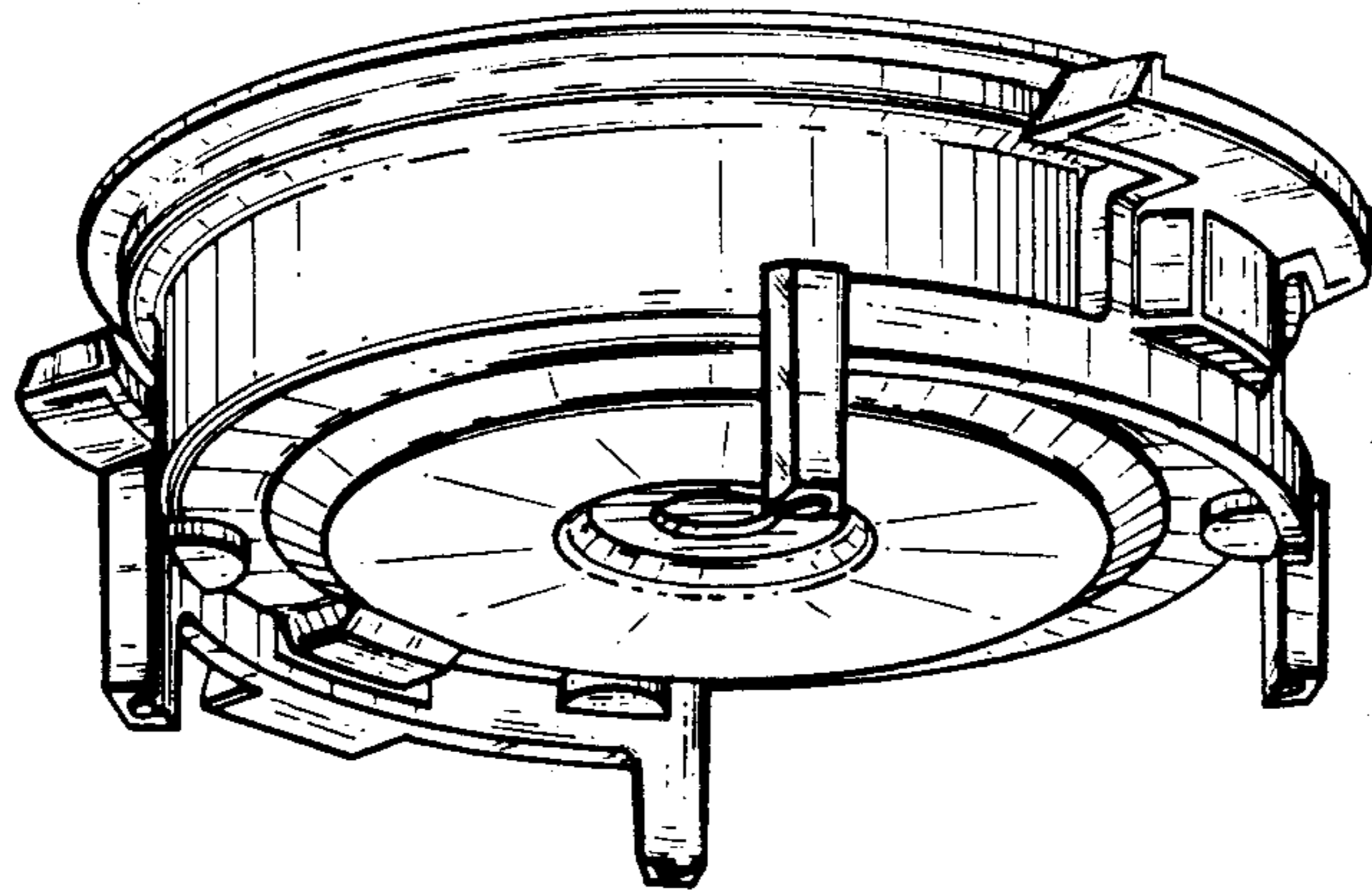


FIG. 4

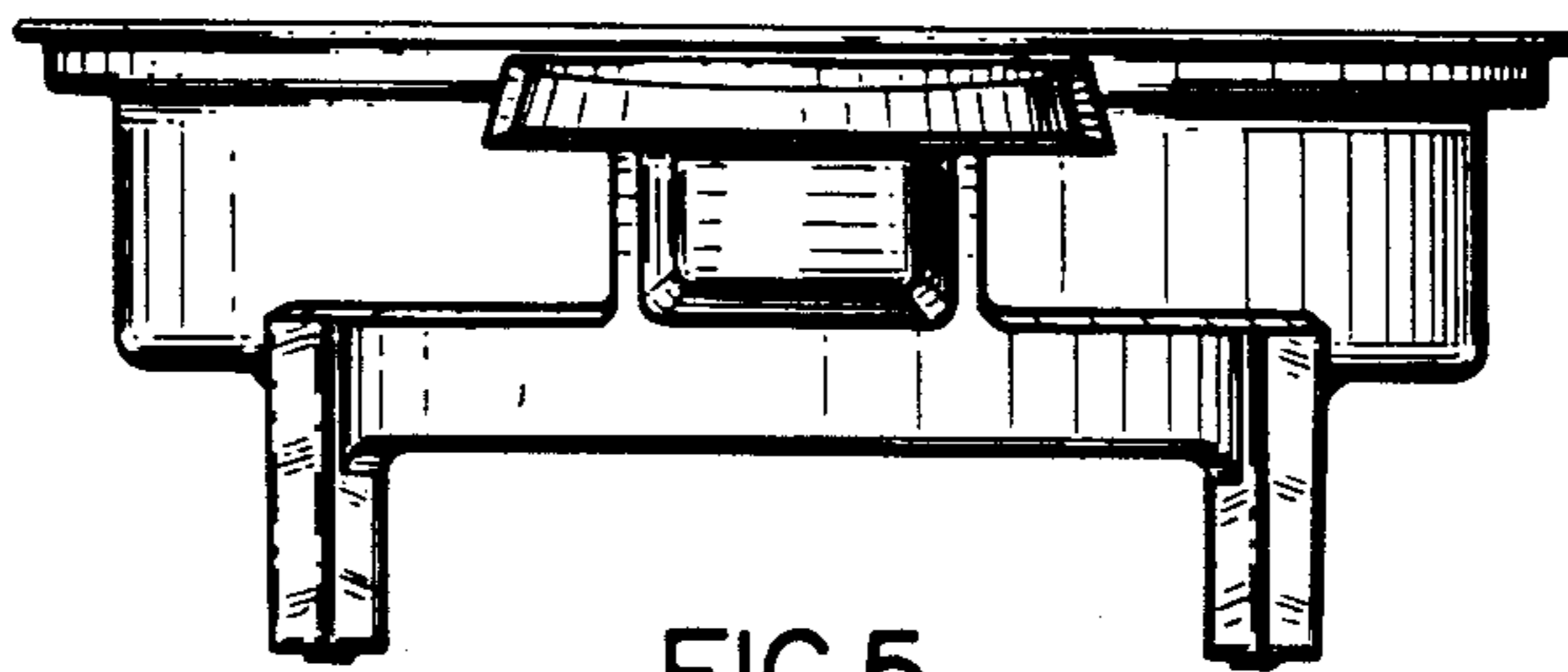


FIG. 5

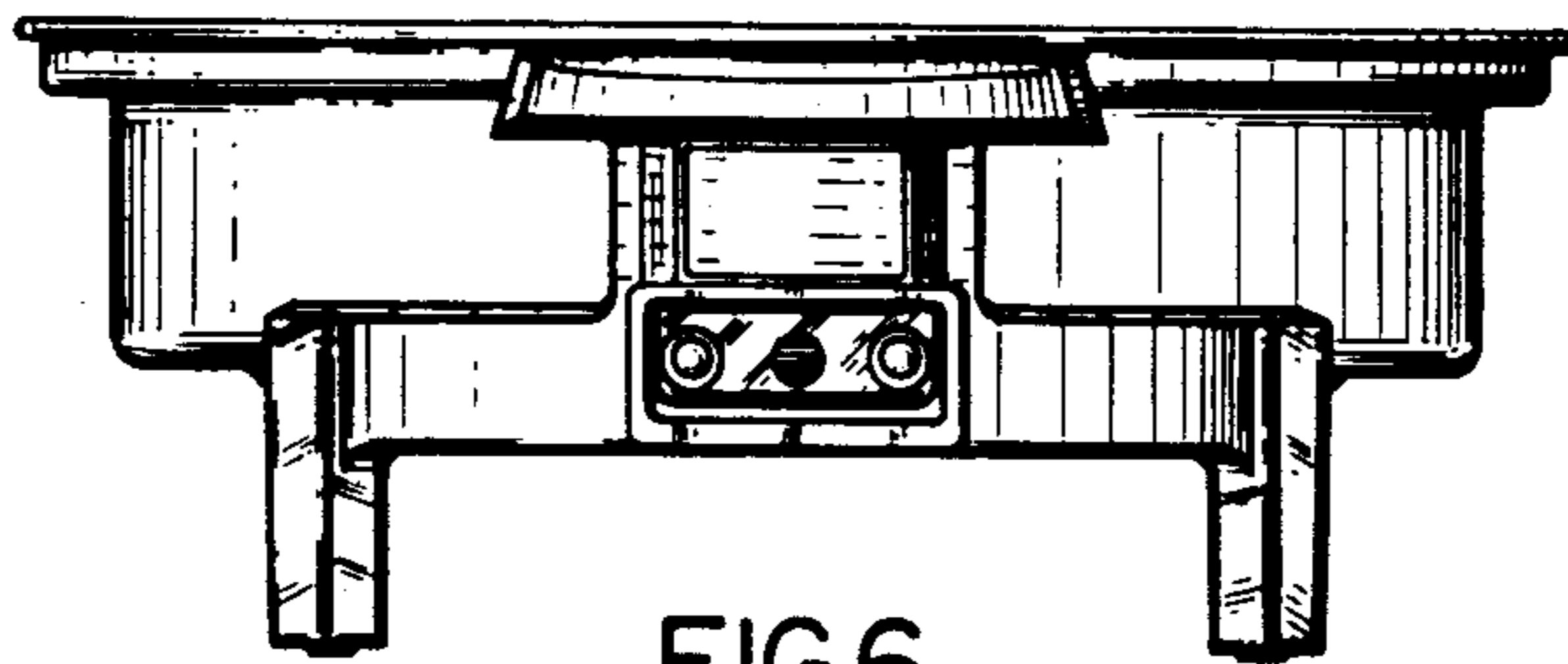


FIG. 6

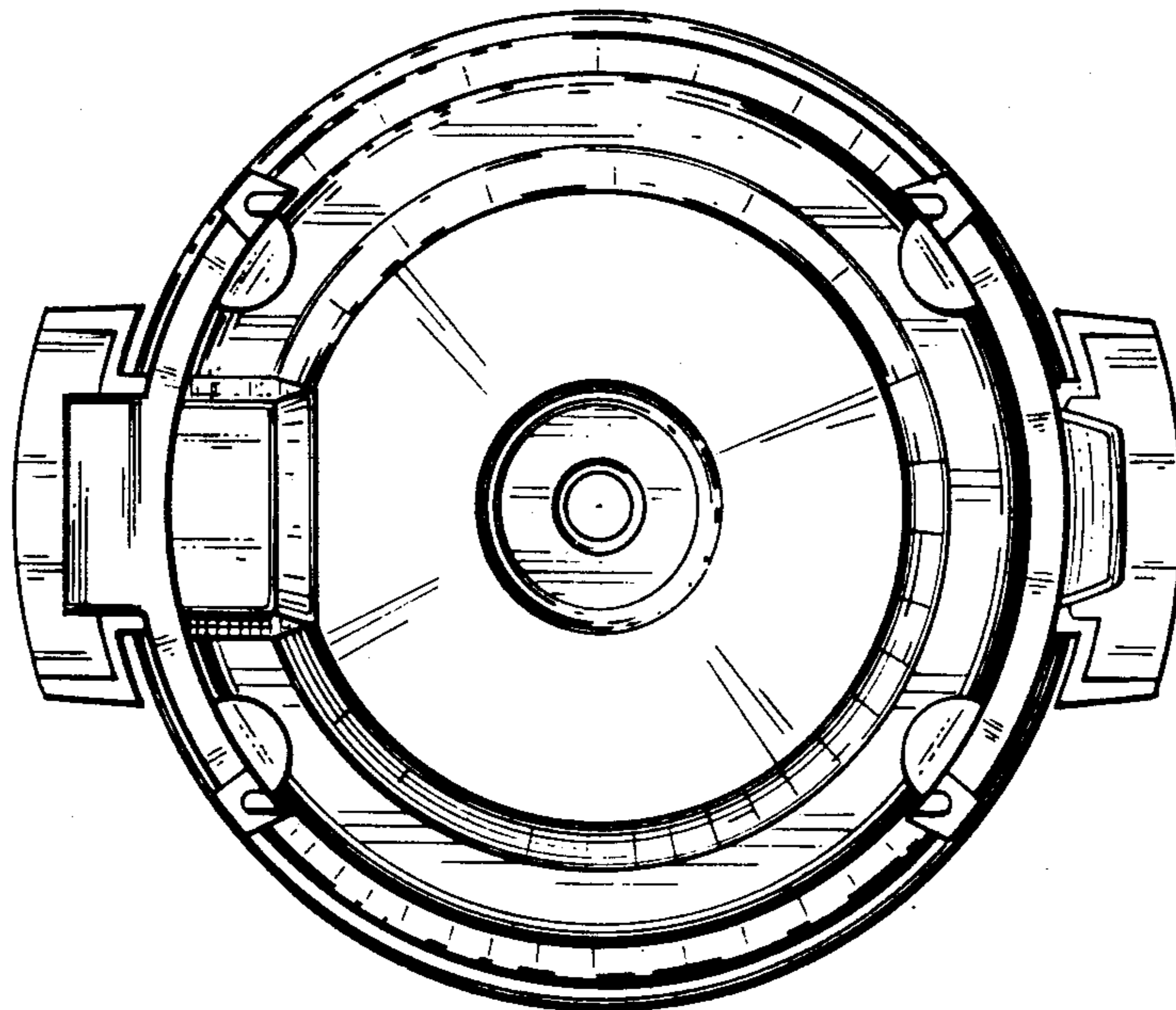


FIG. 7