

[54] HAIRDRYER WITH HANDGRIP

[75] Inventor: Heinz-Ulrich Haase, Kronberg, Fed. Rep. of Germany

[73] Assignee: Braun A G, Frankfurt am Main, Fed. Rep. of Germany

[\*\*] Term: 14 Years

[21] Appl. No.: 839,114

[22] Filed: Oct. 3, 1977

[30] Foreign Application Priority Data

Apr. 1, 1977 [DE] Fed. Rep. of Germany ..... 73 MR 8600

[51] Int. Cl. .... D28-03

[52] U.S. Cl. .... D28/13

[58] Field of Search ..... D28/9-19; 132/7, 9; 34/96-101; 219/222, 226, 370

[56] References Cited

U.S. PATENT DOCUMENTS

2,126,581 8/1938 Samuels ..... 219/370  
3,860,174 1/1975 Cercone ..... D28/18 X

OTHER PUBLICATIONS

Form, 4/76, p. 87-Dryer at top.  
Home Furnishings Daily, Mon. 7/12/1976, Section 2, p. 8-G.E. Power Brush at top right.

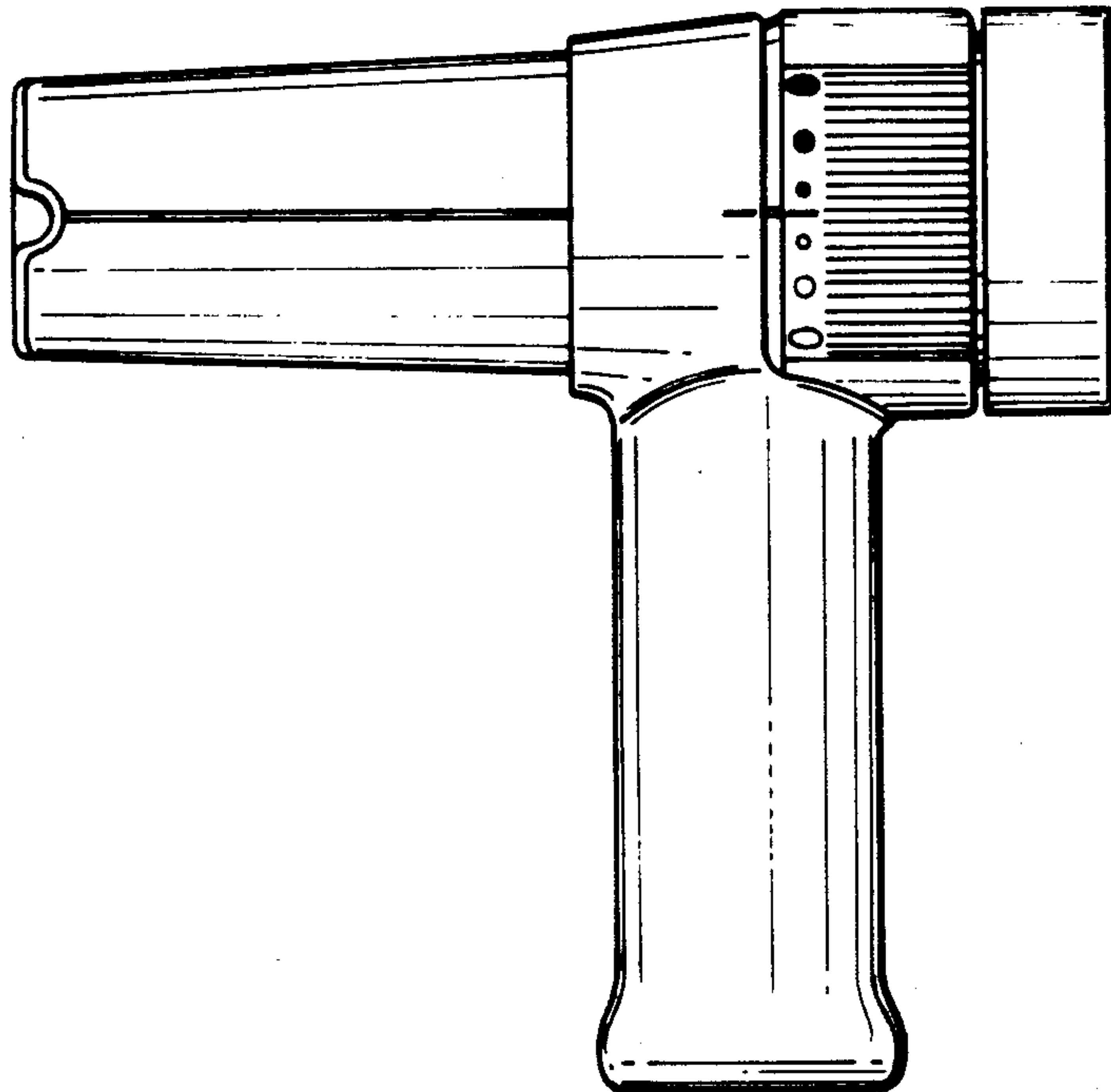
Primary Examiner—Louis S. Zarfes  
Attorney, Agent, or Firm—Michael J. Striker

[57] CLAIM

The ornamental design for a hairdryer with handgrip, substantially as shown and described.

DESCRIPTION

FIG. 1 is a right side elevational view of a hairdryer with handgrip showing my new design;  
FIG. 2 is a left side elevational view thereof;  
FIG. 3 is a top plan view thereof;  
FIG. 4 is a bottom plan view thereof;  
FIG. 5 is a front end view thereof; and  
FIG. 6 is a rear end view thereof.



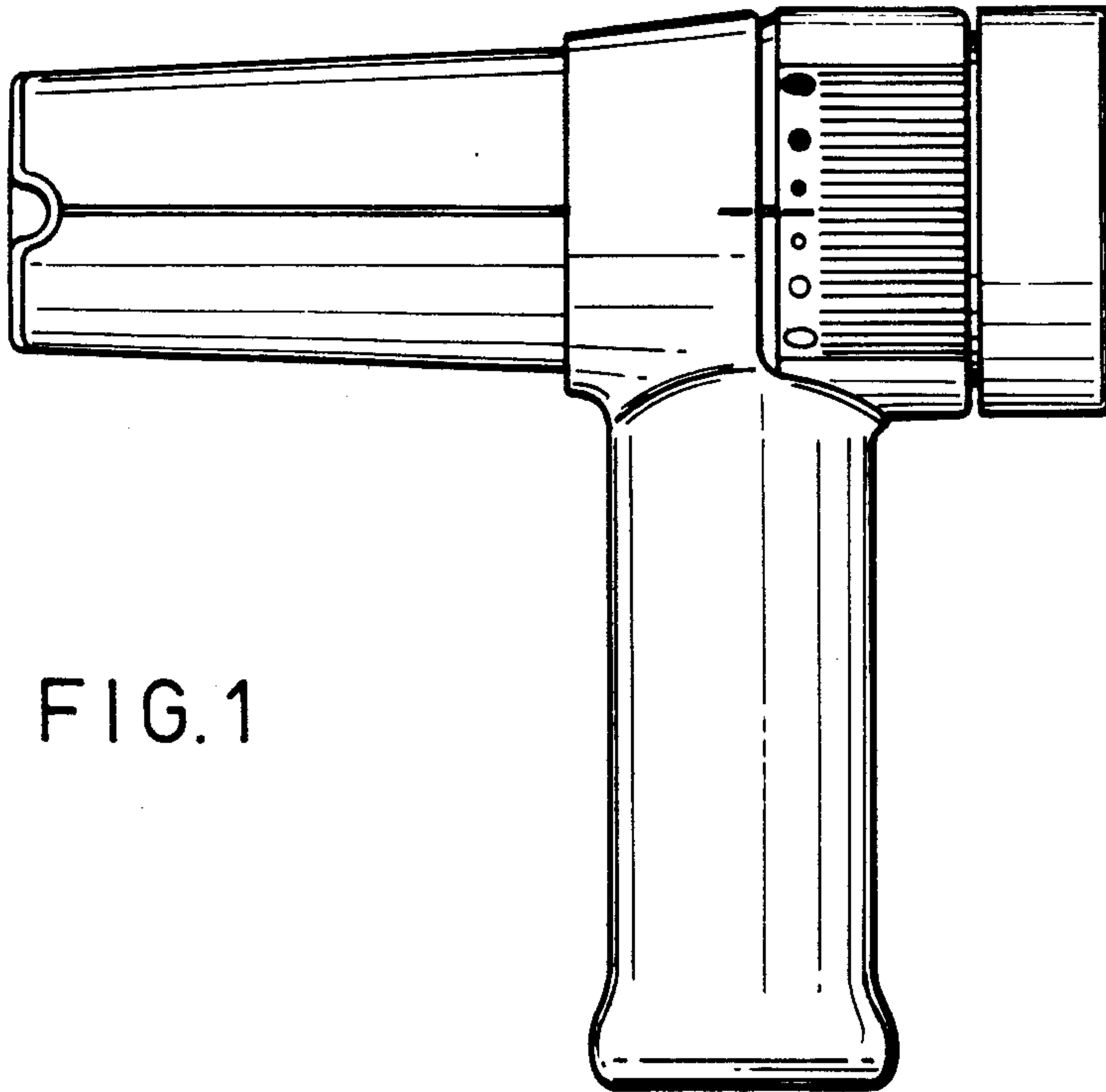


FIG. 1

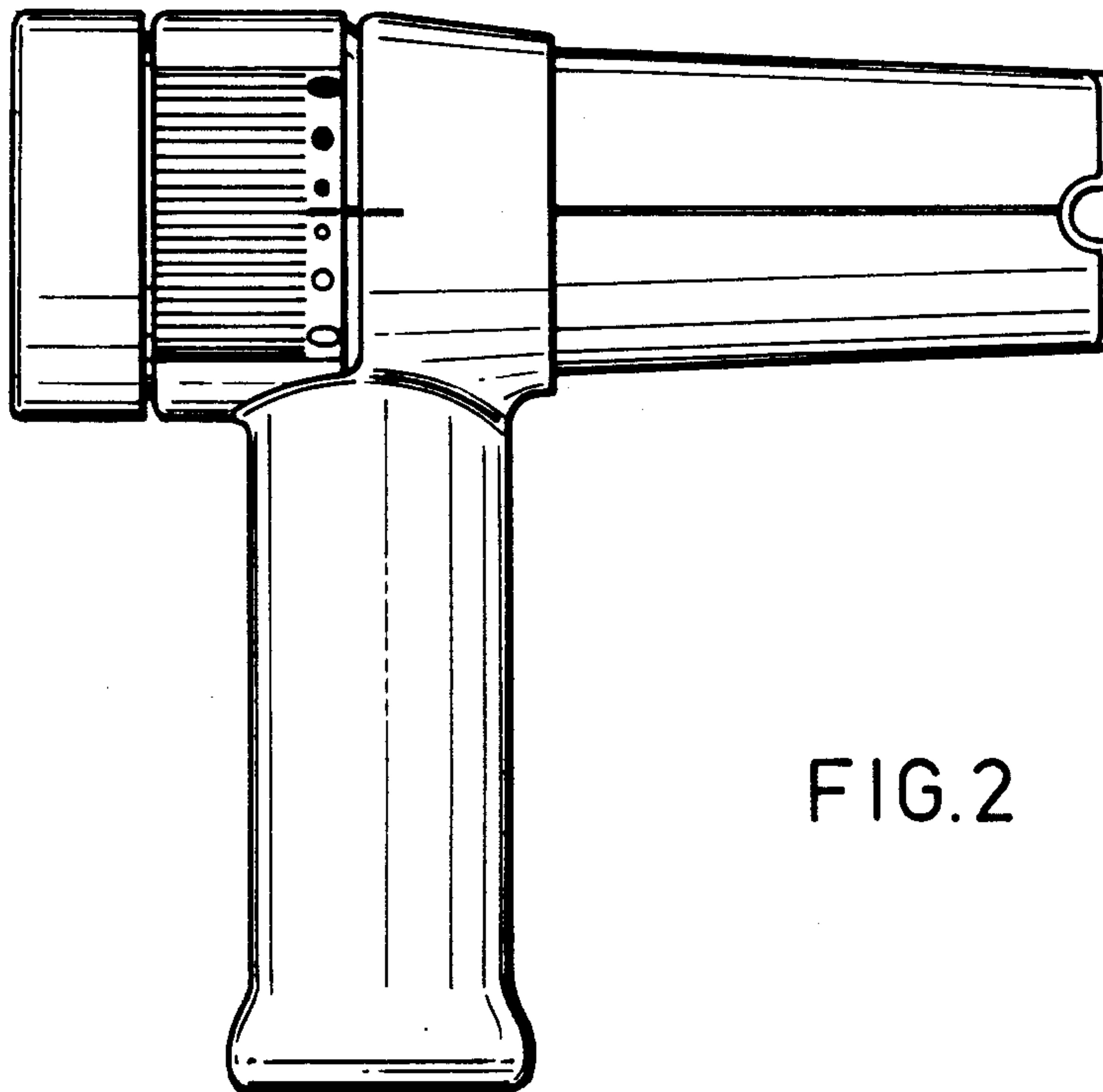


FIG. 2

FIG. 3

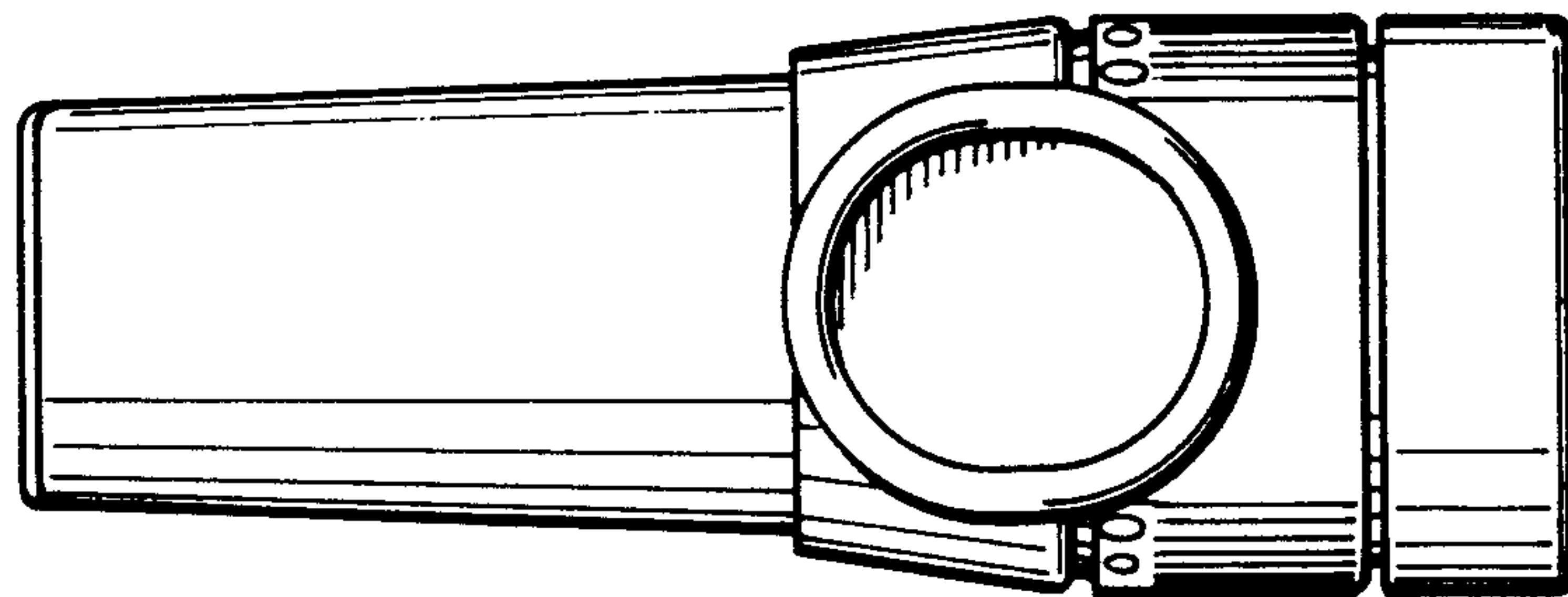
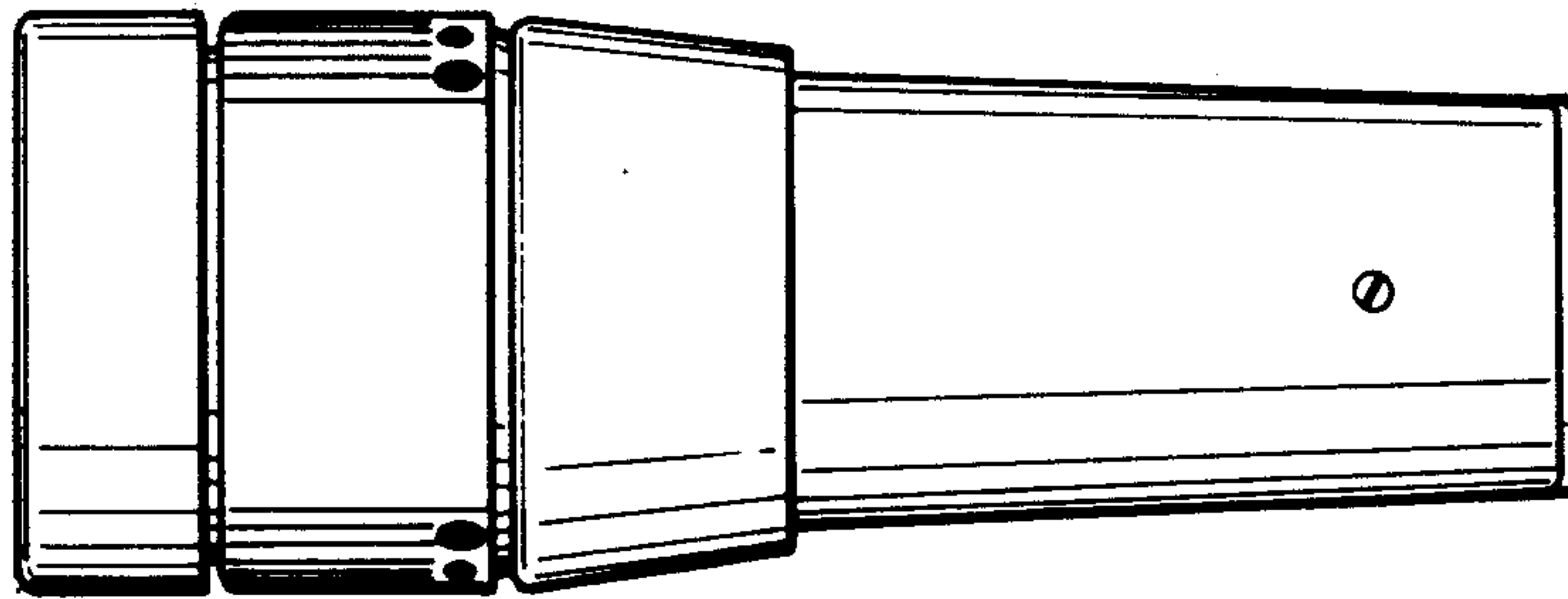


FIG. 4

FIG. 5

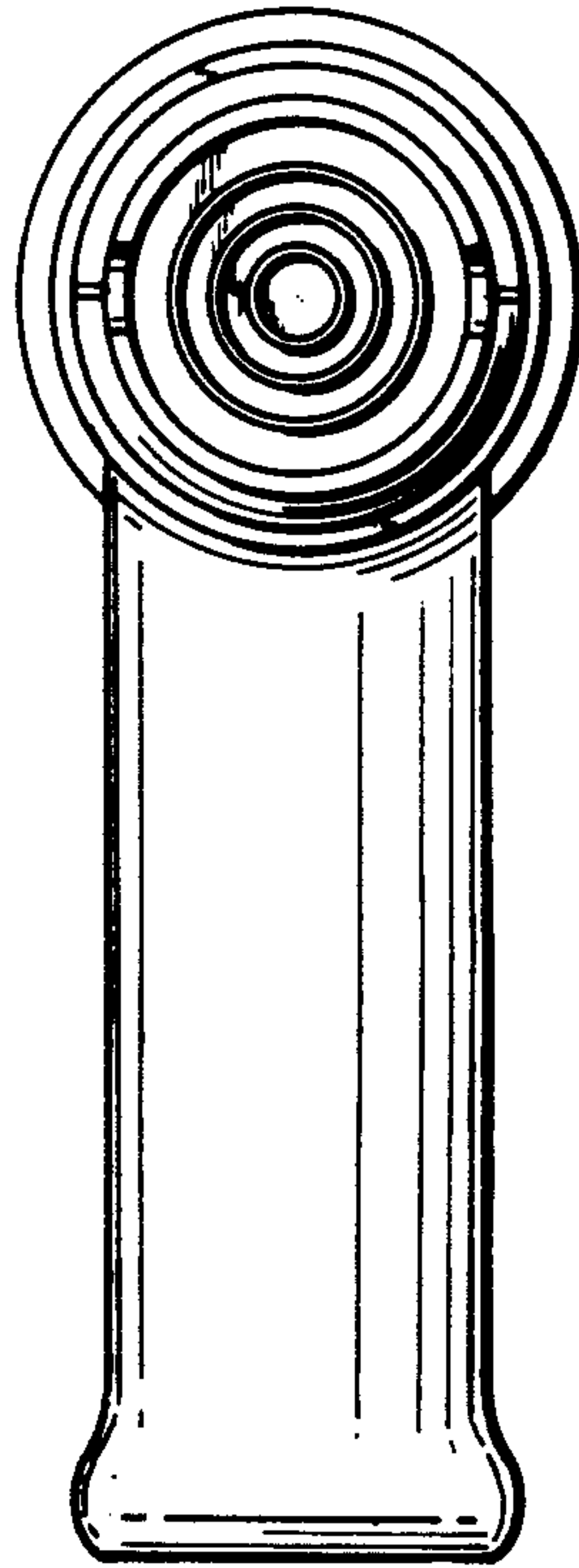


FIG. 6

