

[54] REFRACTOMETER

[75] Inventor: John T. Armbruster, Niagara Falls, N.Y.

[73] Assignee: American Optical Corporation, Southbridge, Mass.

[\*\*] Term: 14 Years

[21] Appl. No.: 813,909

[22] Filed: Jul. 8, 1977

[51] Int. Cl. .... D24-01

[52] U.S. Cl. .... D24/17; D24/8

[58] Field of Search ..... 351/6, 1, 11, 7, 12, 351/23, 39, 24, 16, 17; D24/8, 17

[56] References Cited

U.S. PATENT DOCUMENTS

D. 207,675 5/1967 Hermann ..... D24/17

D. 210,417	3/1968	Hoogesteger	.....	D24/8
D. 244,483	5/1977	Toth et al.	.....	D24/8
D. 246,188	10/1977	Jordan	.....	D24/17
3,602,580	8/1971	Samuels	.....	351/6
3,778,164	12/1973	Walker	.....	351/6
4,105,302	8/1978	Tate, Jr.	.....	351/6

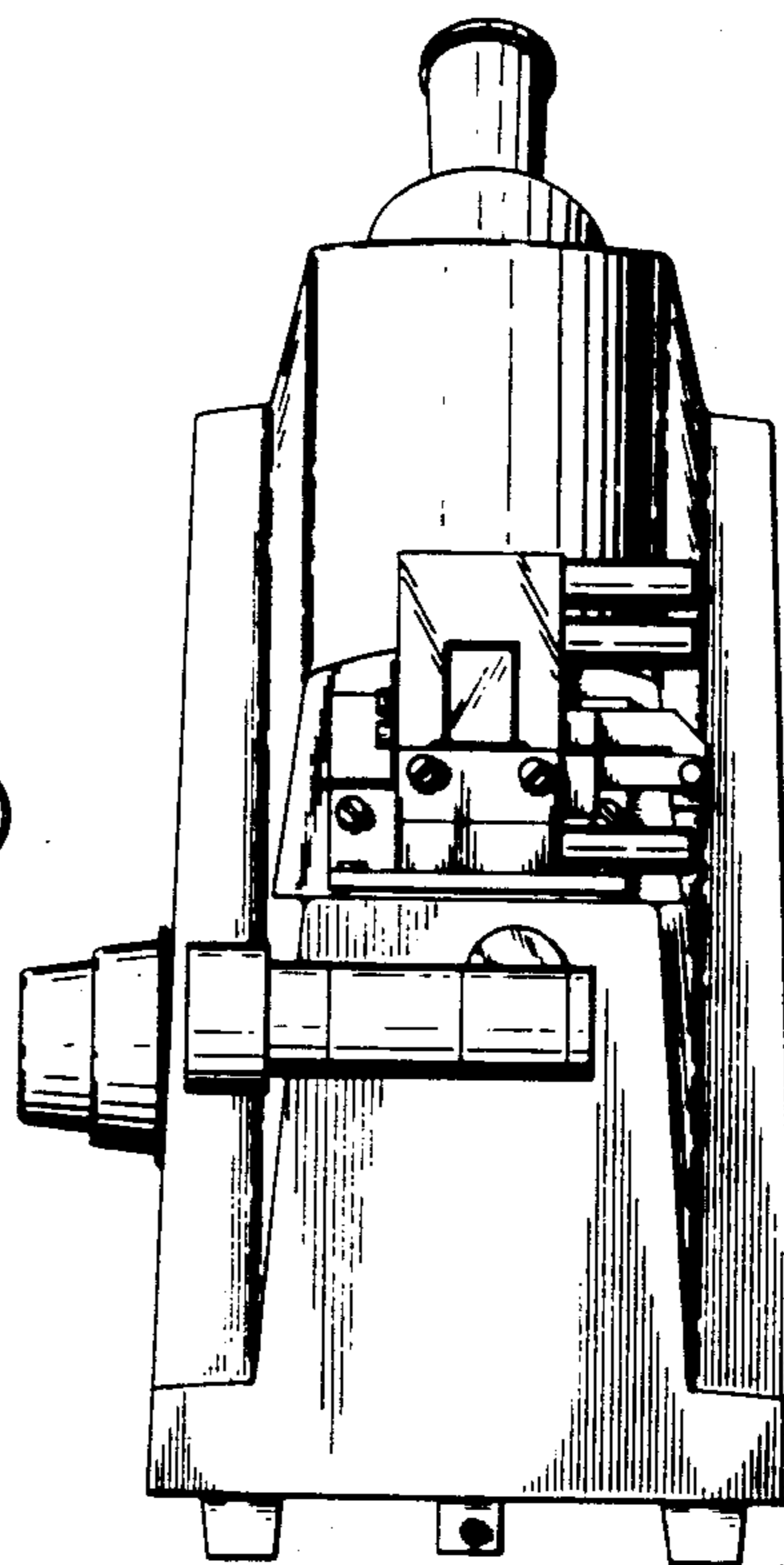
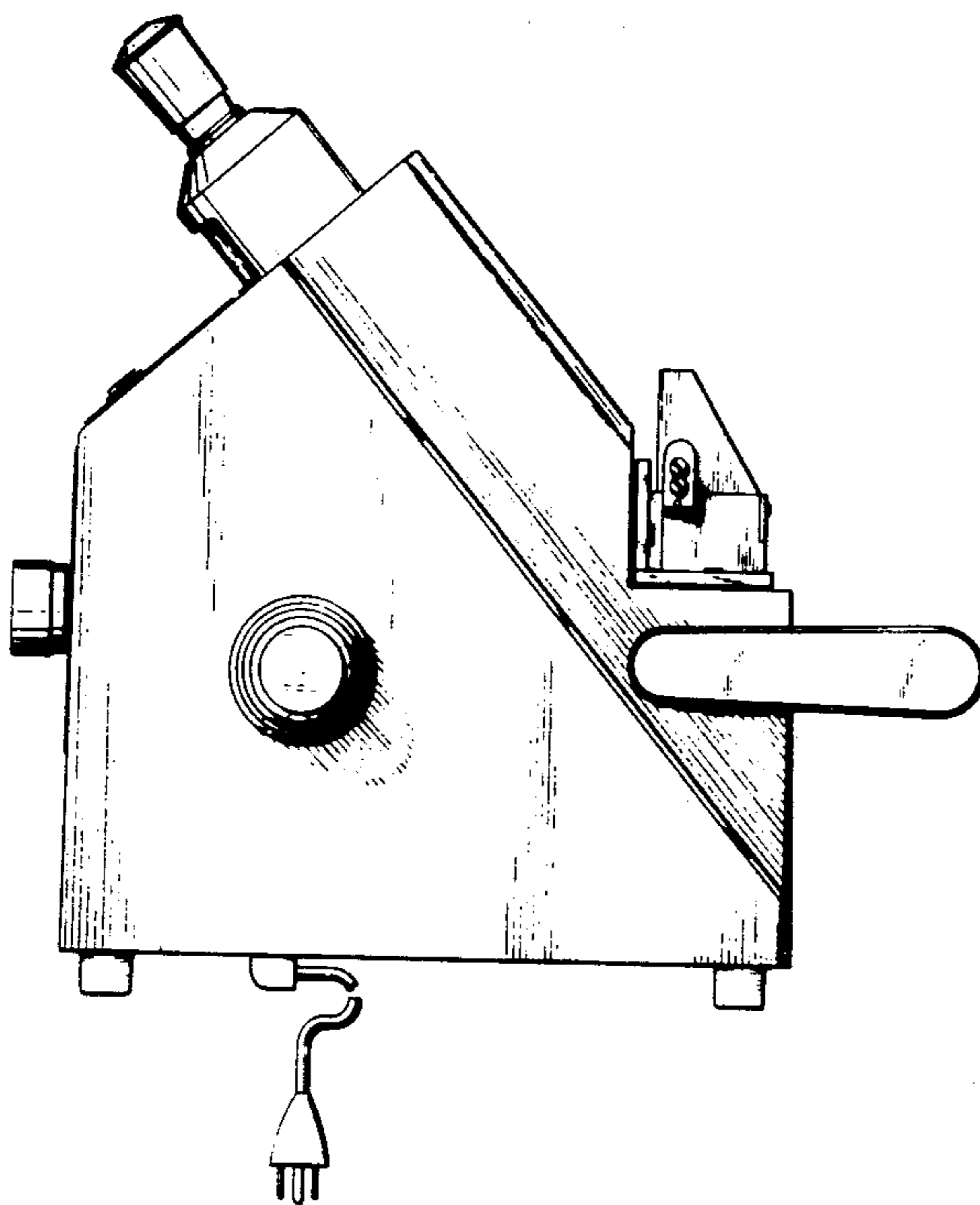
Primary Examiner—Bernard Ansher  
Attorney, Agent, or Firm—Howard R. Berkenstock

[57] CLAIM

The ornamental design for a refractometer, as shown and described.

DESCRIPTION

FIG. 1 is a right side elevation of a refractometer, showing my new design;  
FIG. 2 is a left side elevation thereof;  
FIG. 3 is a front elevation thereof;  
FIG. 4 is a rear elevation thereof; and  
FIG. 5 is a top plan view thereof.



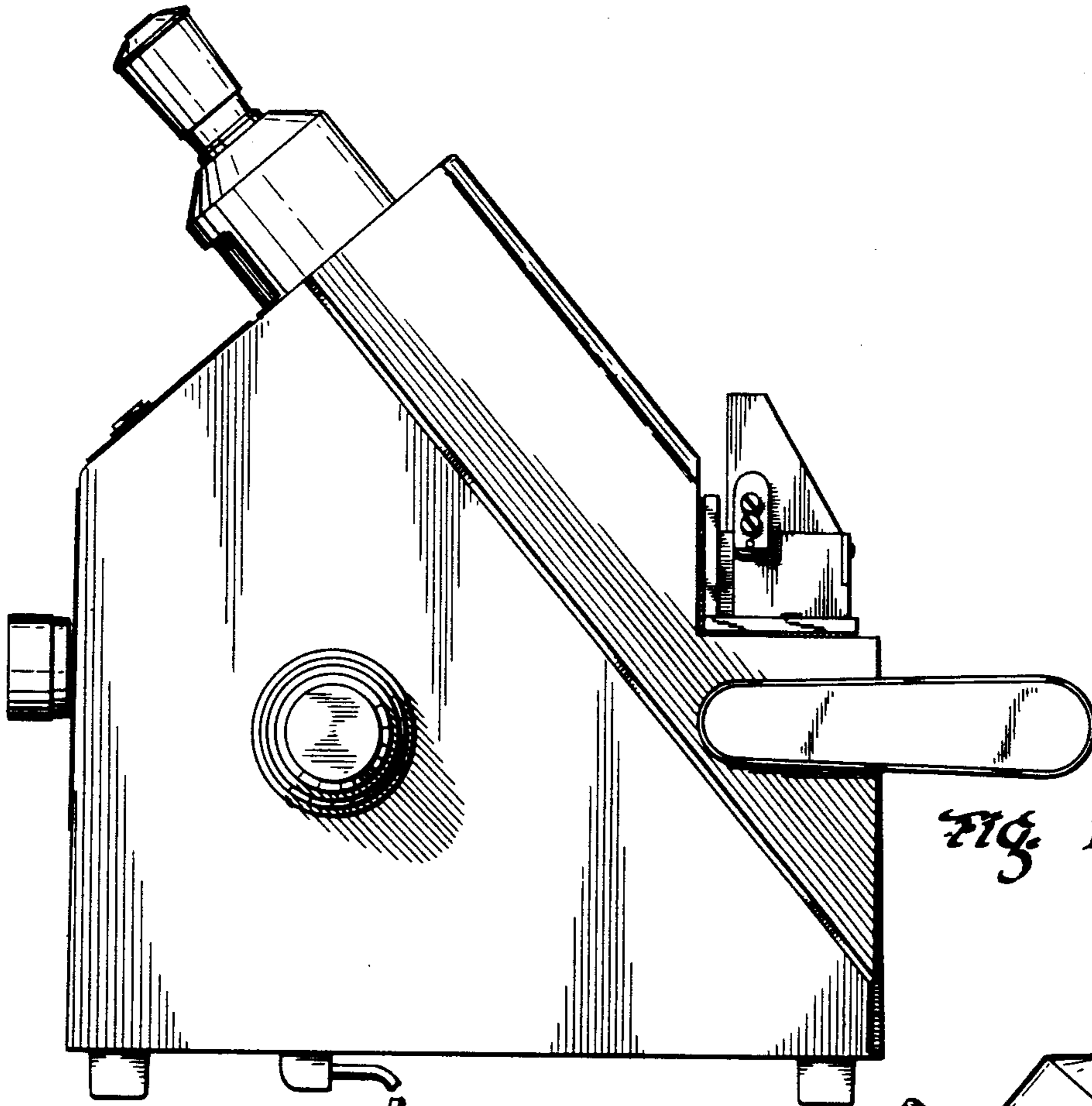


FIG. 1

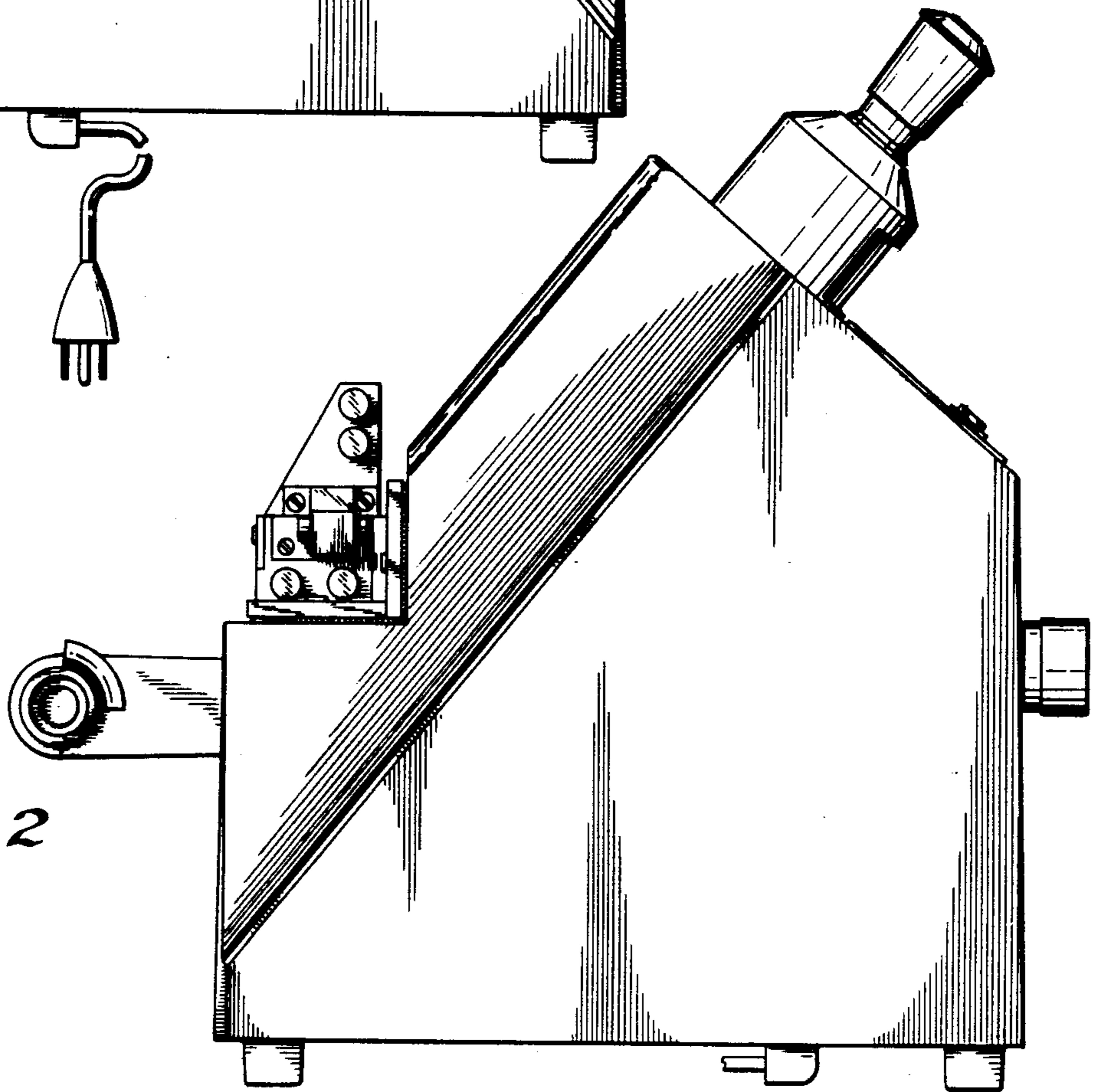


FIG. 2

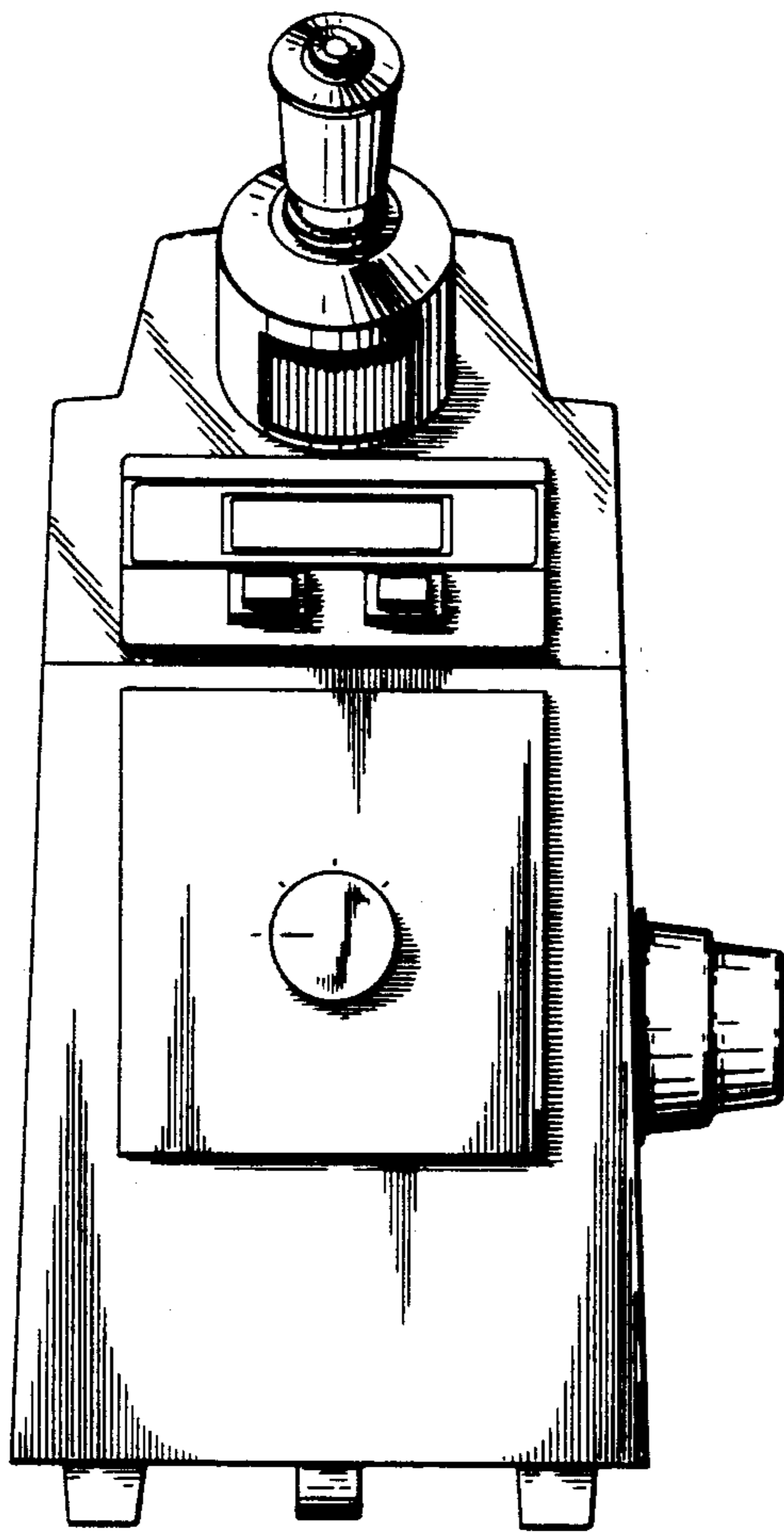


Fig. 3

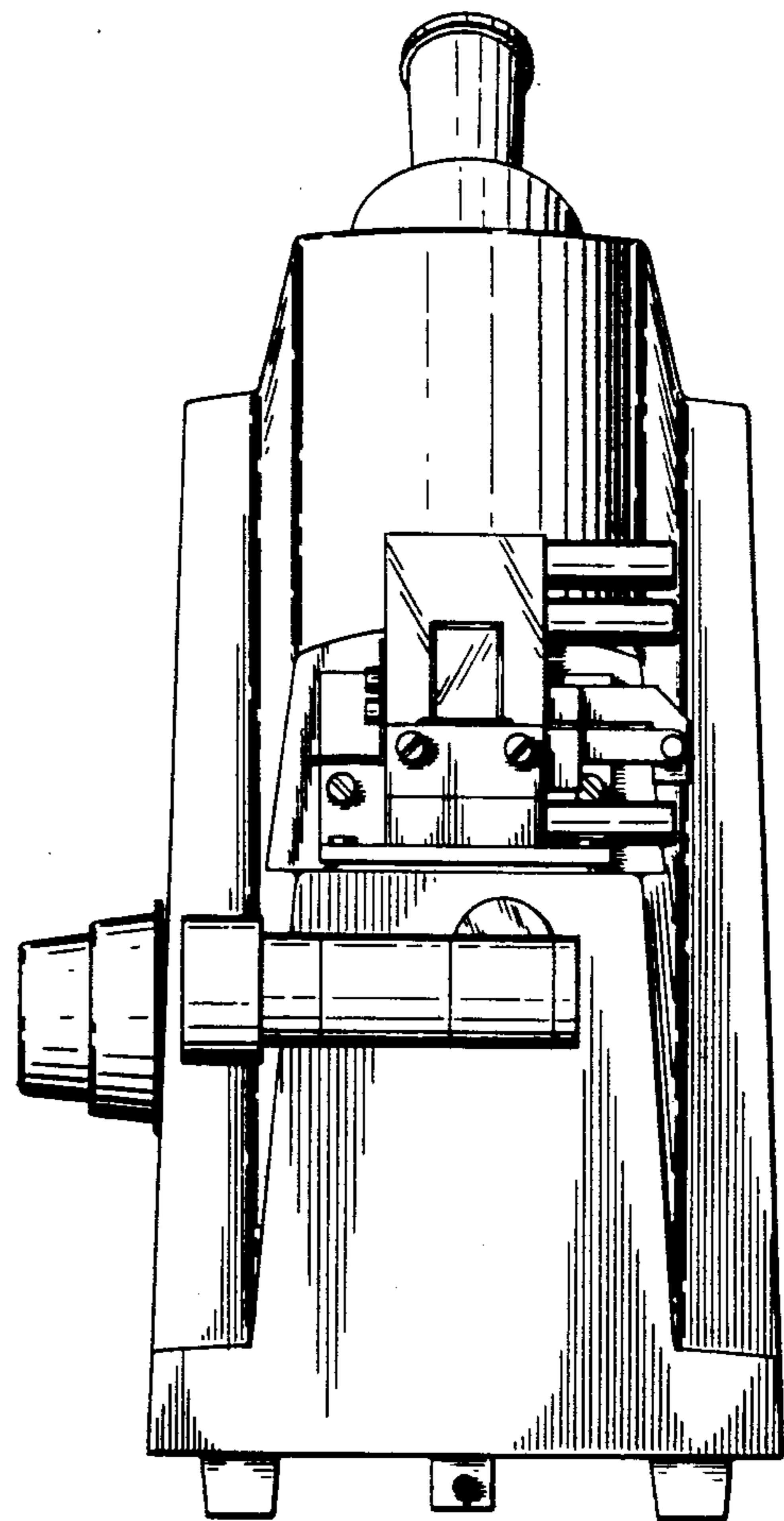


Fig. 4

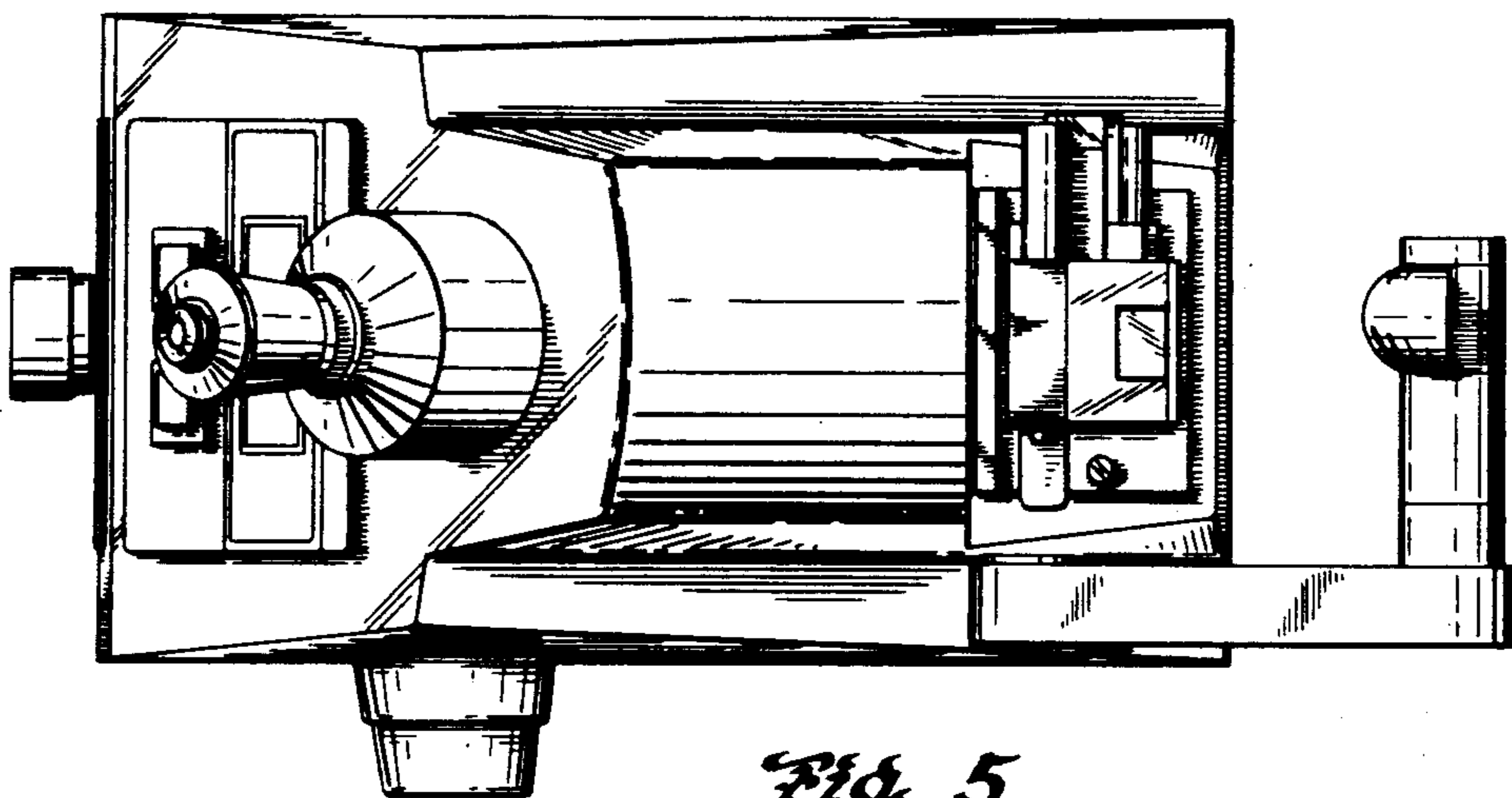


Fig. 5