

[54] PORTABLE FAN

[76] Inventor: David A. Holder, Jr., 8303 Donoghue Dr., New Carrollton, Md. 20784

[**] Term: 14 Years

[21] Appl. No.: 843,533

[22] Filed: Oct. 19, 1977

[51] Int. Cl. D23-04

[52] U.S. Cl. D23/155

[58] Field of Search D23/139-167; 416/63, 247 R; 417/234, 411

[56] References Cited

U.S. PATENT DOCUMENTS

D. 109,143	4/1938	Kruck	D23/155
D. 152,758	2/1949	Ullman	D23/156
D. 218,429	8/1970	Yotsukura	D23/155
D. 240,231	6/1976	Patton	D23/155

2,711,287	6/1955	Russell	417/234
3,173,478	3/1965	Maycen	D23/155 X
3,697,198	10/1972	Holder, Jr.	417/411

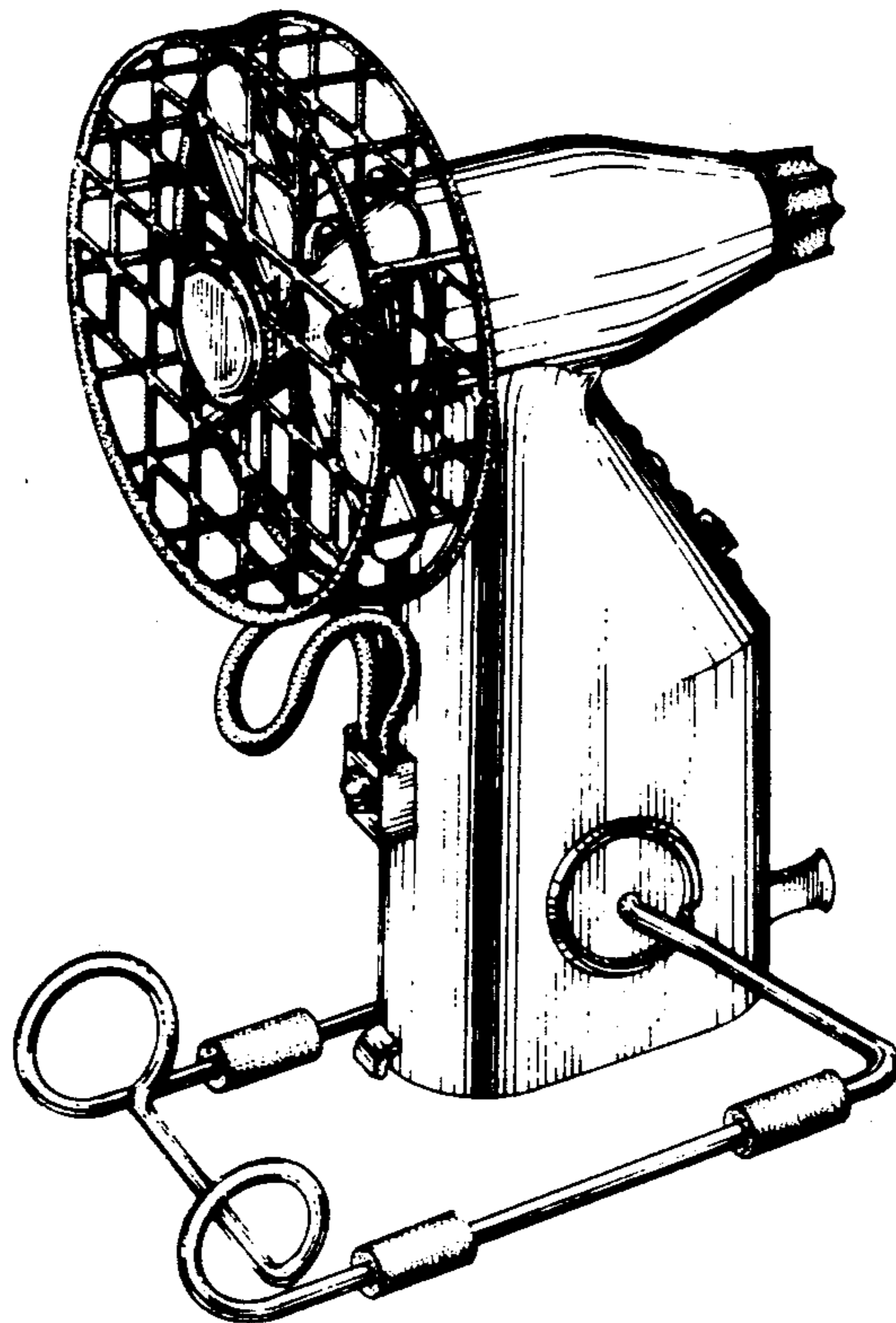
Primary Examiner—James R. Largen
Attorney, Agent, or Firm—David A. Holder, Jr.

[57] CLAIM

The ornamental design for a portable fan, as shown and described.

DESCRIPTION

FIG. 1 is a front perspective view of a portable fan showing my new design;
FIG. 2 is a rear perspective view thereof with the support member shown in an alternation position;
FIG. 3 is a side elevation thereof;
FIG. 4 is a fragmentary bottom perspective thereof with the support omitted; and
FIG. 5 is a front perspective view of a modified form of the portable fan shown in FIG. 1, wherein the modification resides in the omission of the front support bracket.



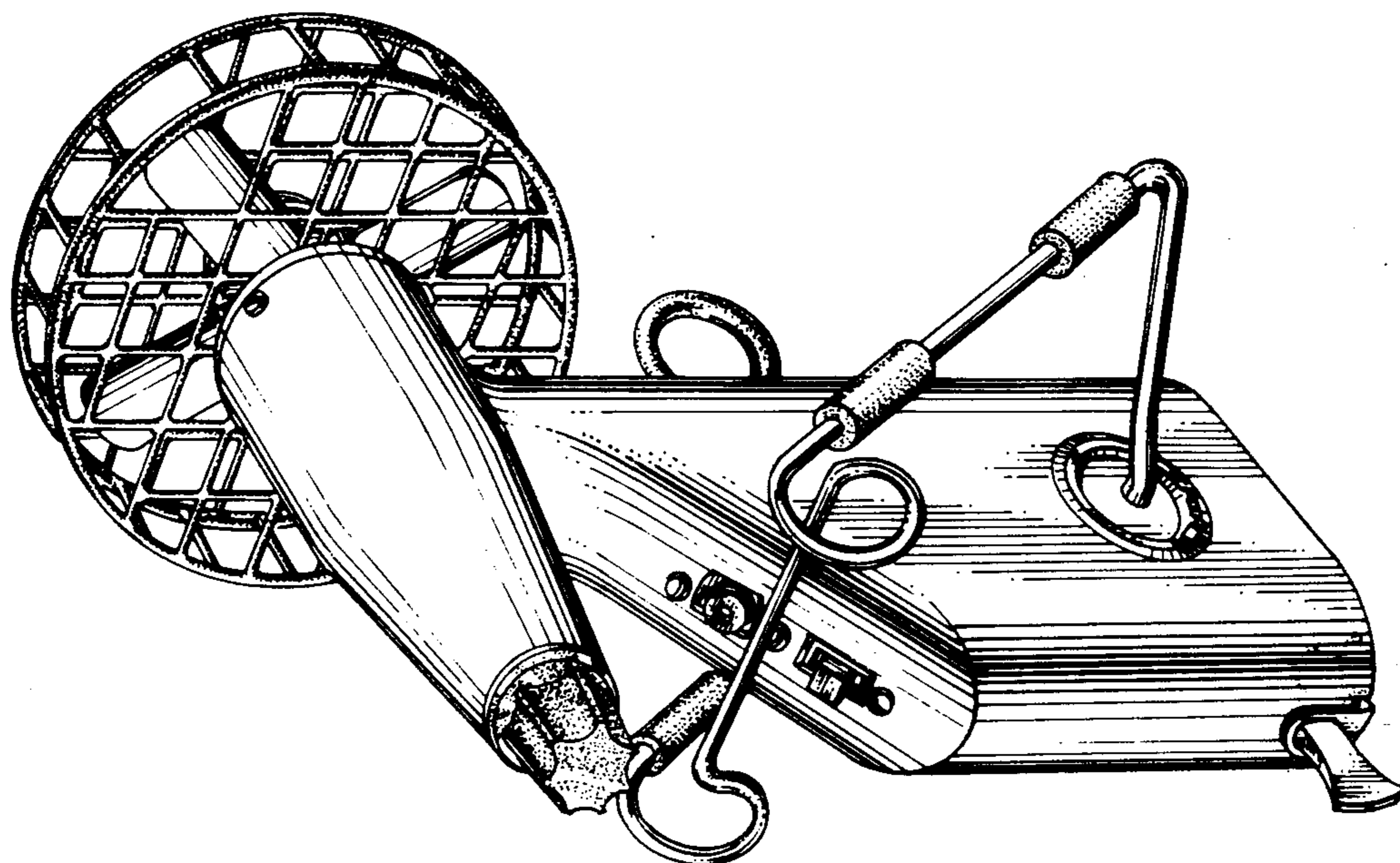


FIG. 2

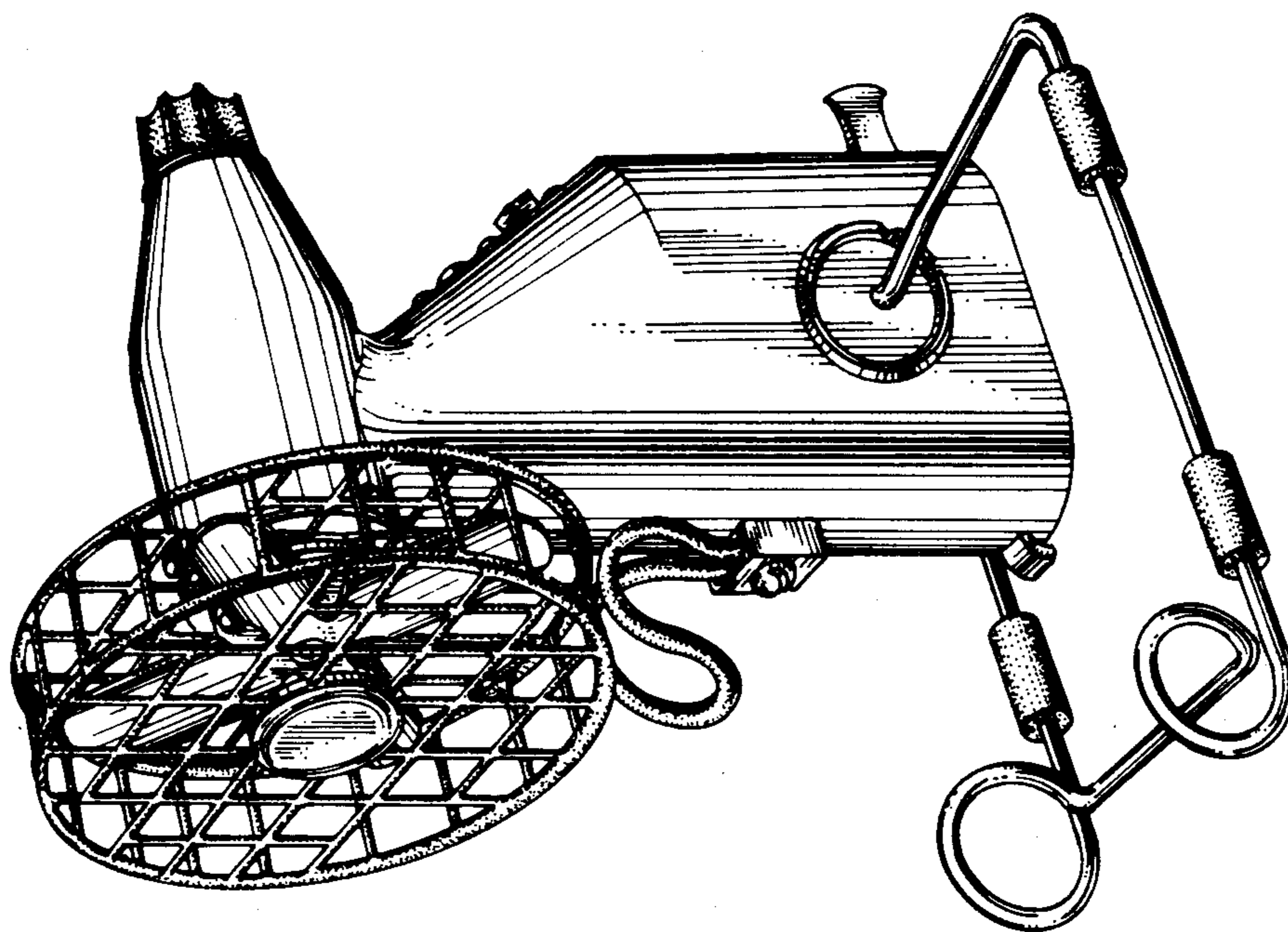


FIG. 1

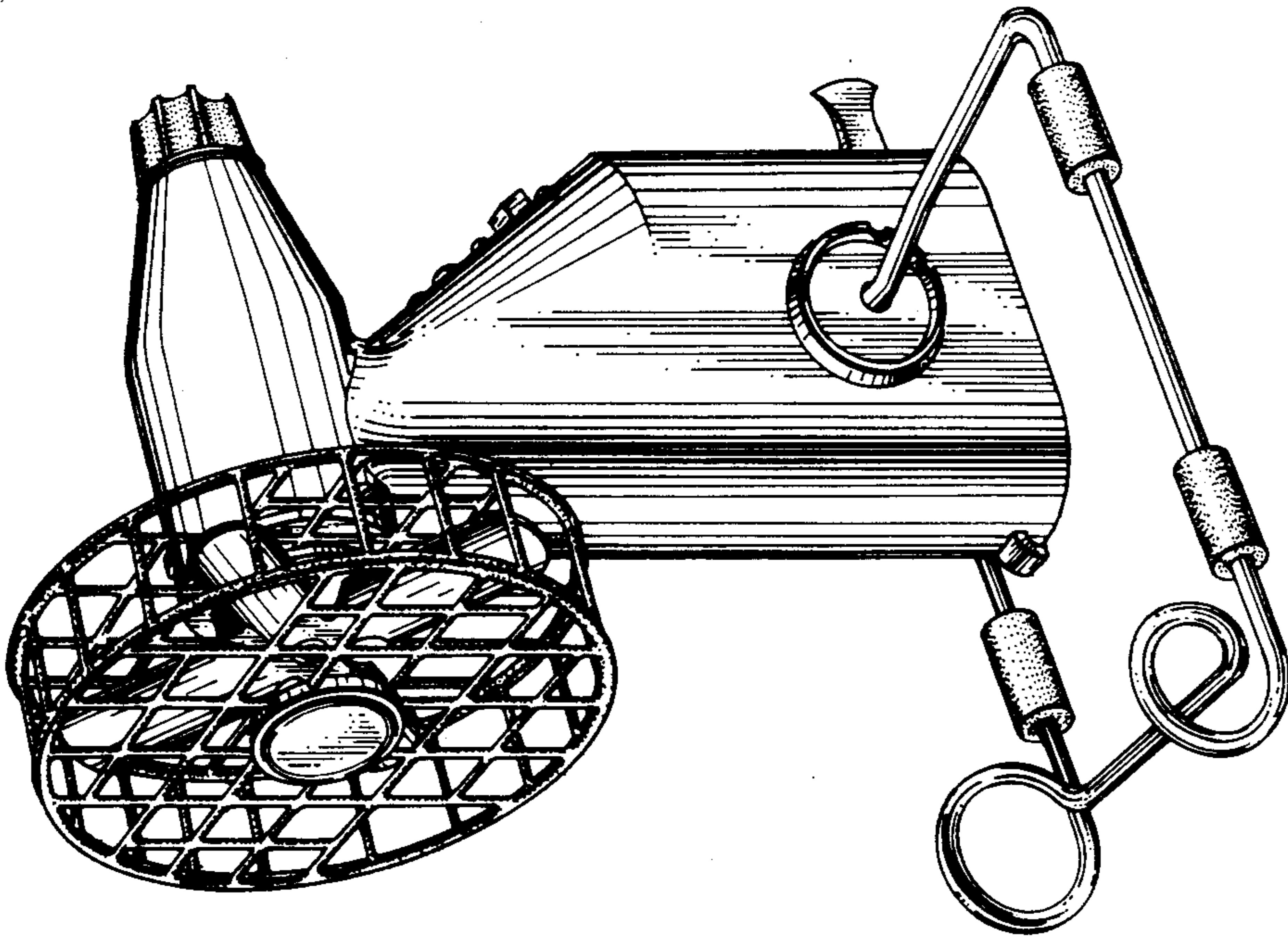


FIG. 5

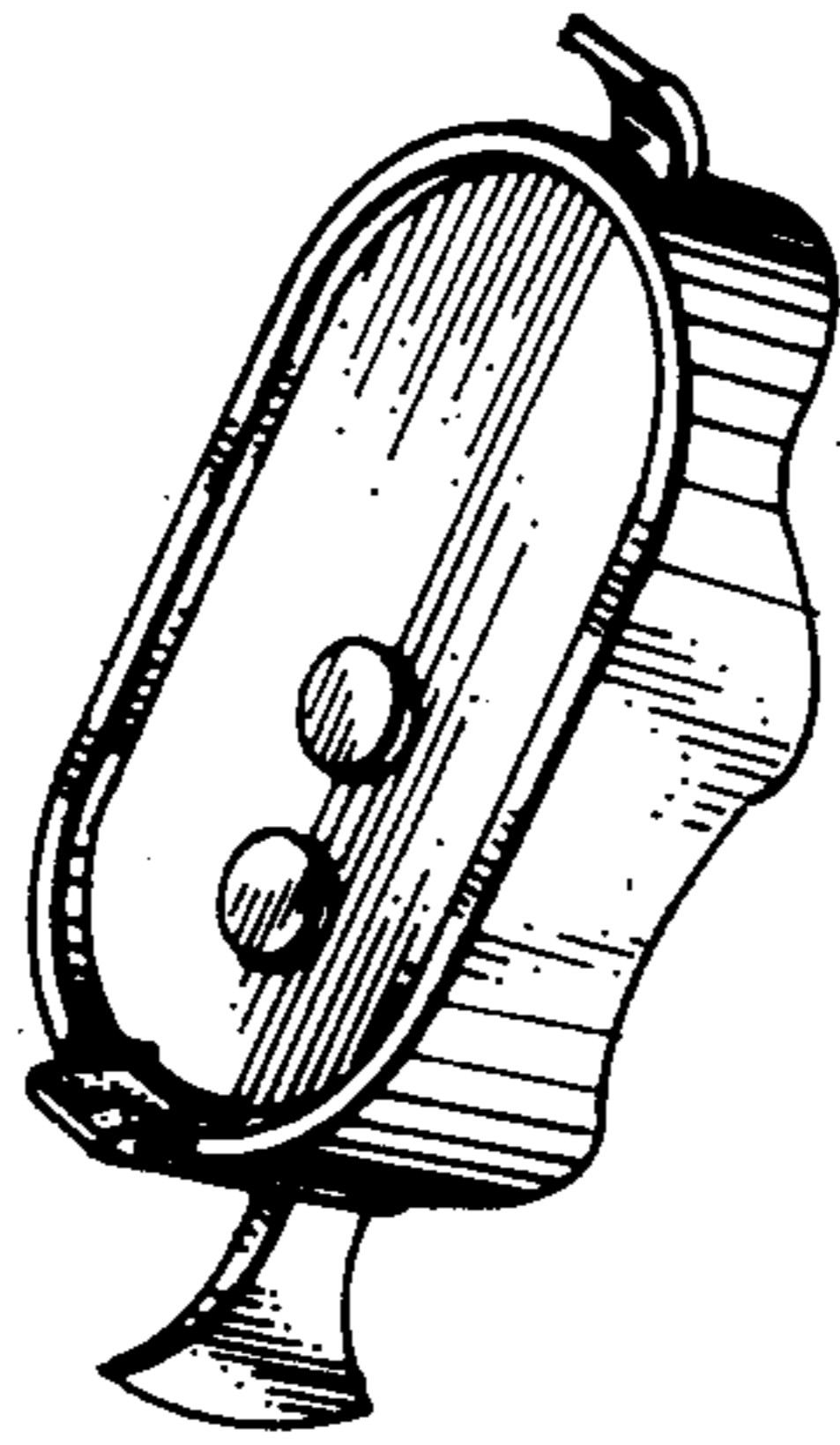


FIG. 4

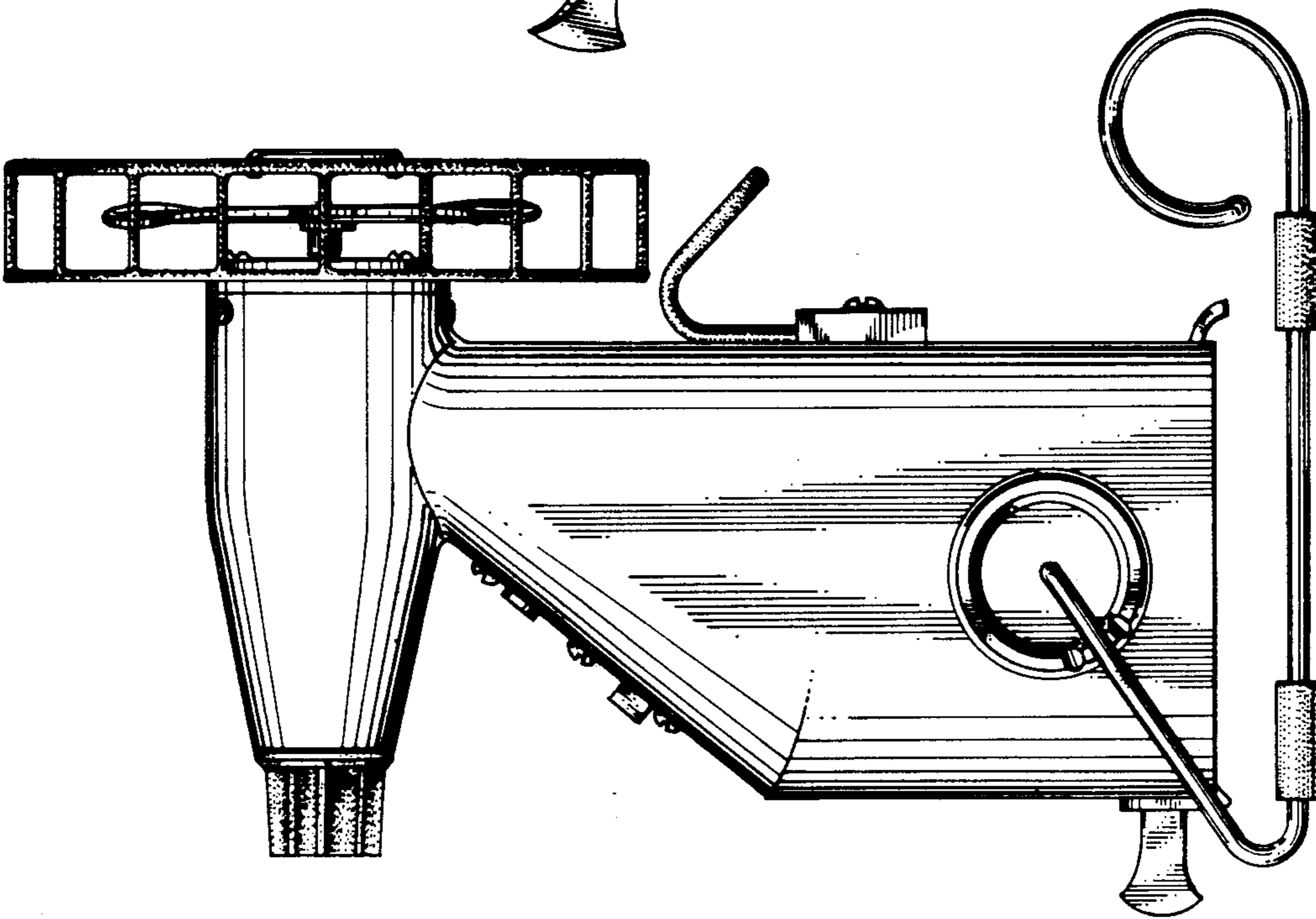


FIG. 3