

[54] VAPORIZER FOR A COMBUSTION SYSTEM

[76] Inventors: Fred A. Wentworth, Jr., Brentwood Rd., R.F.D. #2, Exeter, N.H. 03833; Paul F. Heald, 91 Alehson Rd., Rye, N.H. 03870

[\*\*] Term: 14 Years

[21] Appl. No.: 817,836

[22] Filed: Jul. 21, 1977

[51] Int. Cl. .... D23-04

[52] U.S. Cl. .... D23/146

[58] Field of Search ..... D23/139-167; 431/4

[56] References Cited

U.S. PATENT DOCUMENTS

D. 235,448 6/1975 Wentworth, Jr. .... D23/147

4,009,984	3/1977	Morrison	431/4
4,014,637	3/1977	Schena	431/4
4,016,837	4/1977	Wentworth, Jr.	431/4 X
4,089,633	5/1978	Barghout	431/4 X
4,111,641	9/1978	Morrison	431/4
4,133,628	1/1979	Morrison	431/4
4,152,374	5/1979	Wenger et al.	431/4 X

Primary Examiner—James R. Largen

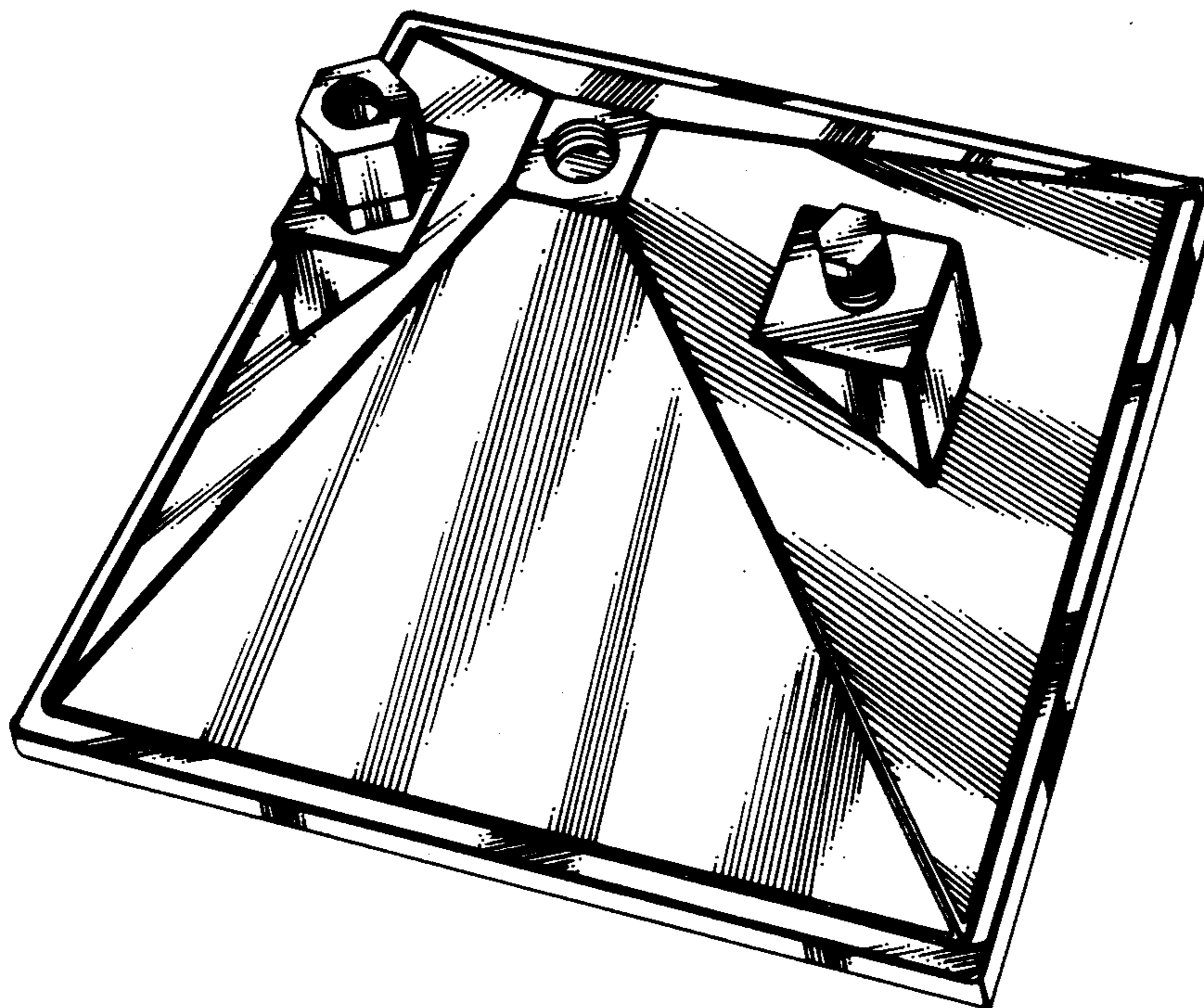
Attorney, Agent, or Firm—Thomas N. Tarrant

[57] CLAIM

The ornamental design for a vaporizer for a combustion system, as shown.

DESCRIPTION

FIG. 1 is a perspective view of a vaporizer for a combustion system showing my new design; FIG. 2 is a top plan view; FIG. 3 is a right side elevational view; and, FIG. 4 is a bottom plan view thereof.



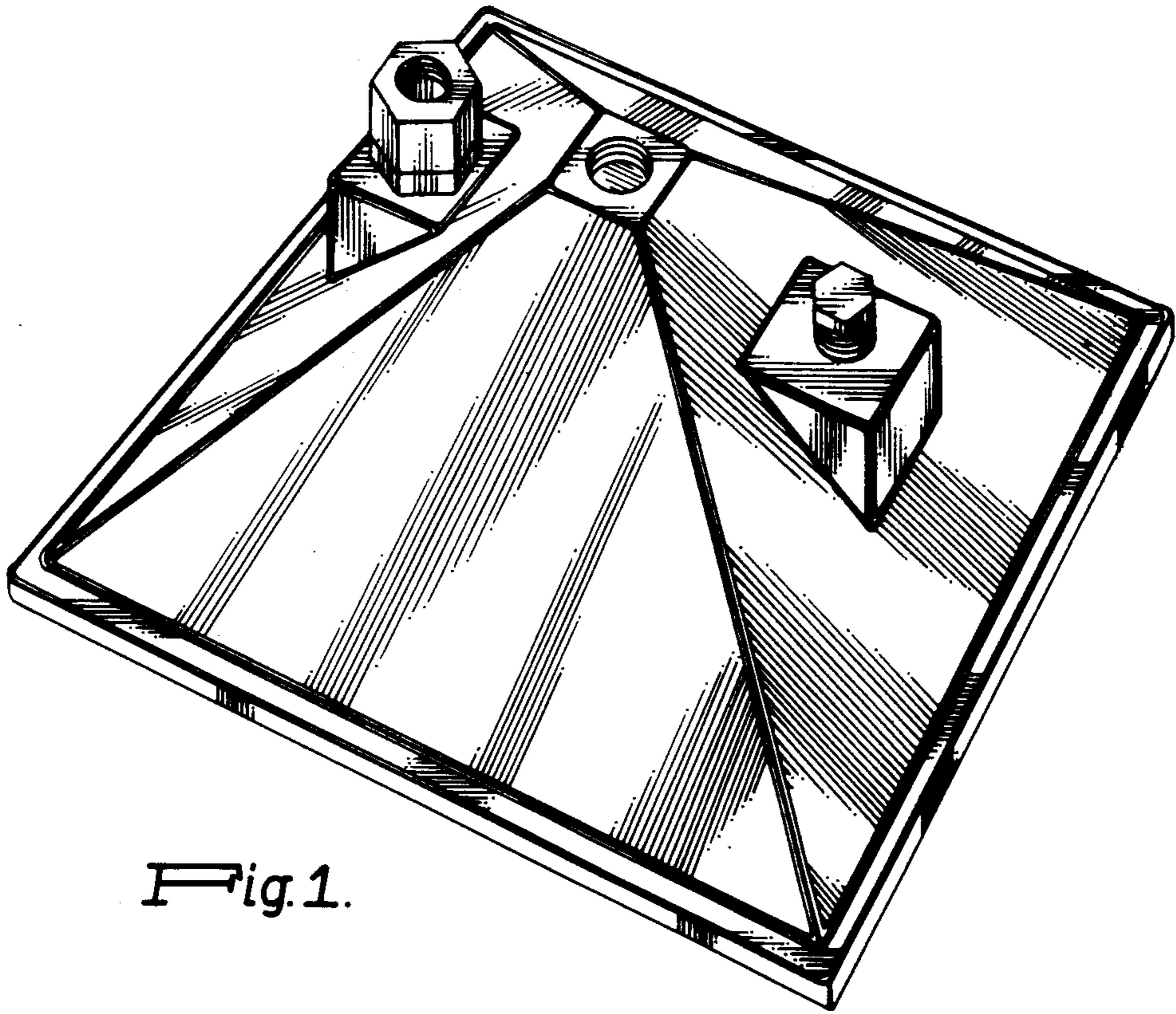


Fig. 1.

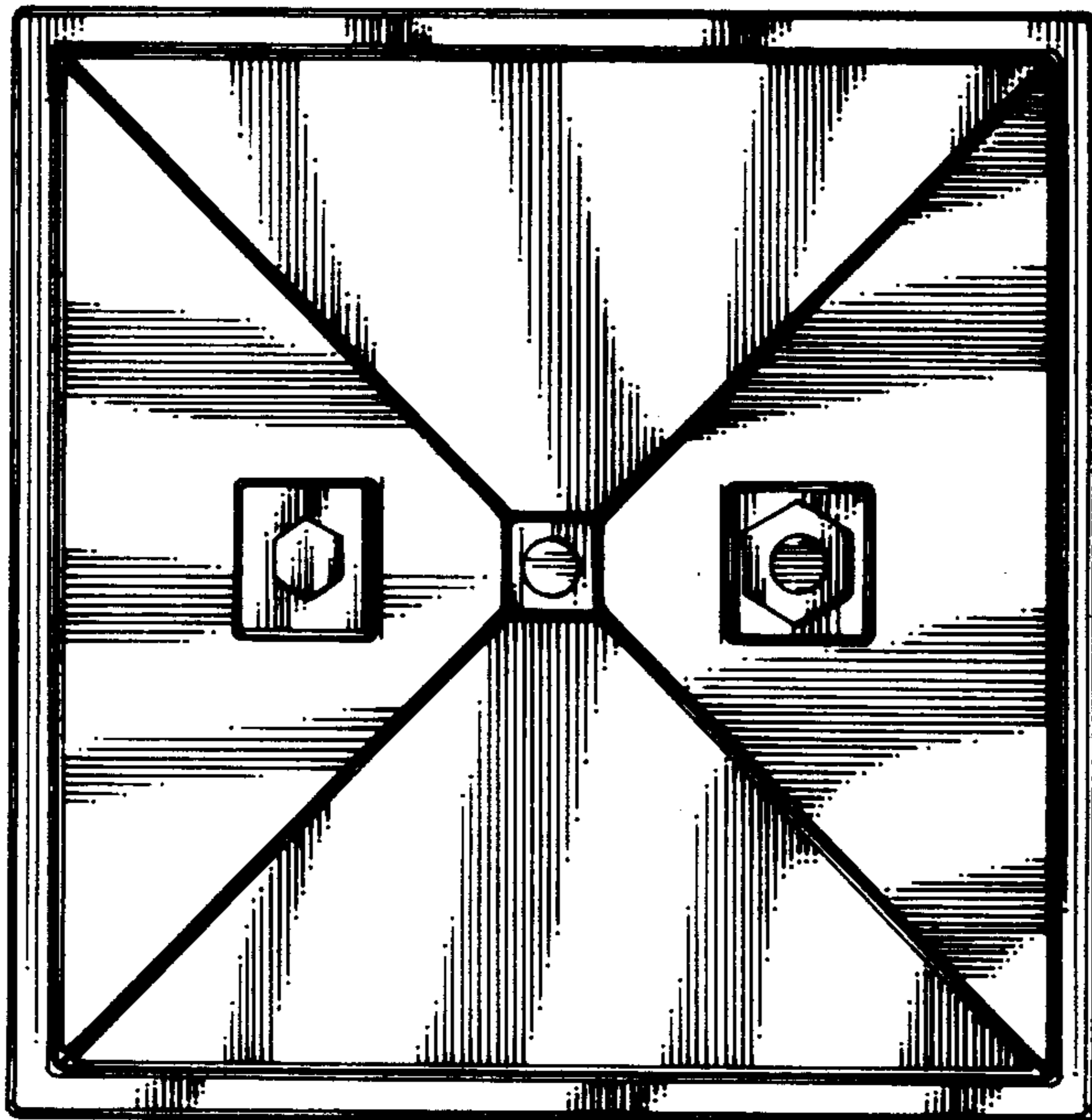


Fig. 2.

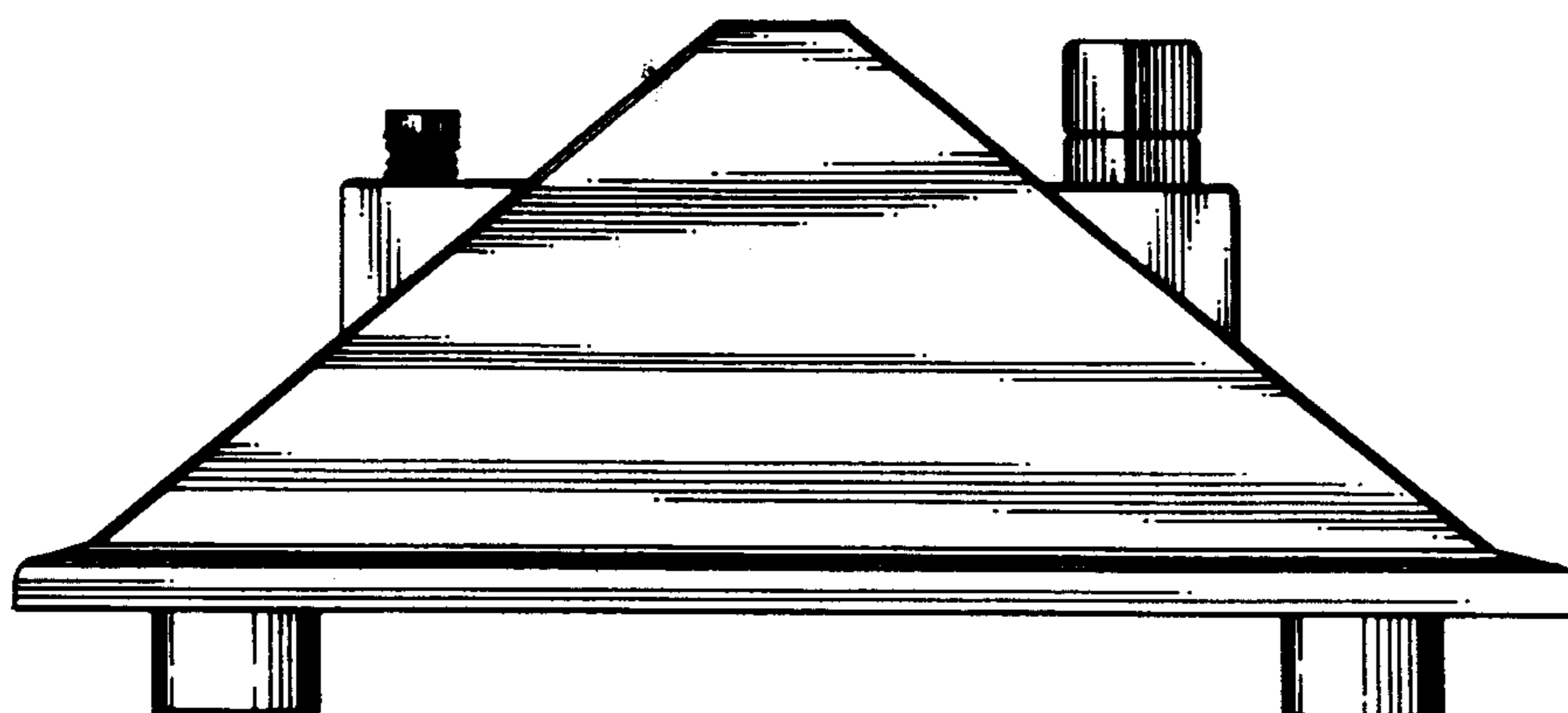


Fig. 3.

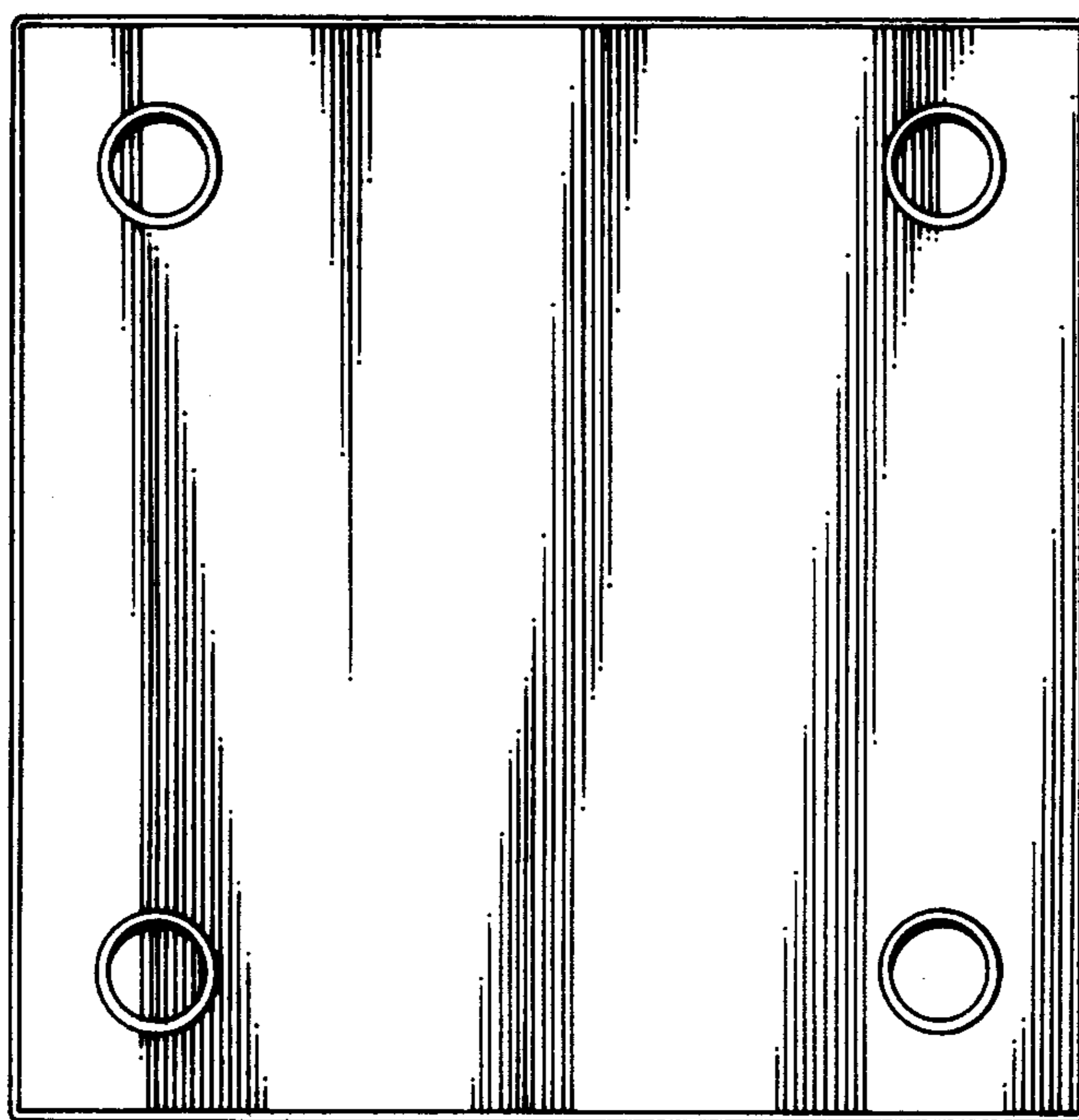


Fig. 4.