

[54] ARM AND WRIST EXERCISING DEVICE

[75] Inventor: Stan Gibson, Richmond, Canada

[73] Assignee: Graphic Holdings, Ltd., Surrey, Canada

[\*\*] Term: 14 Years

[21] Appl. No.: 858,950

[22] Filed: Dec. 9, 1977

[51] Int. Cl. .... D21-02

[52] U.S. Cl. .... D21/198

[58] Field of Search ..... D21/191, 195, 196, 197, D21/198, 221, 222, 235; 272/93, 109, 67, 68, 75, 116, 117, 118, 125, 126, 135, 136, 144

[56]

References Cited

U.S. PATENT DOCUMENTS

1,638,196	8/1927	Guth .....	272/68
3,062,543	11/1962	Shaboo et al. ....	D21/198
3,323,796	6/1967	Carlson .....	272/93

Primary Examiner—Joel Stearman  
Assistant Examiner—Charles A. Rademaker  
Attorney, Agent, or Firm—Richard W. Seed

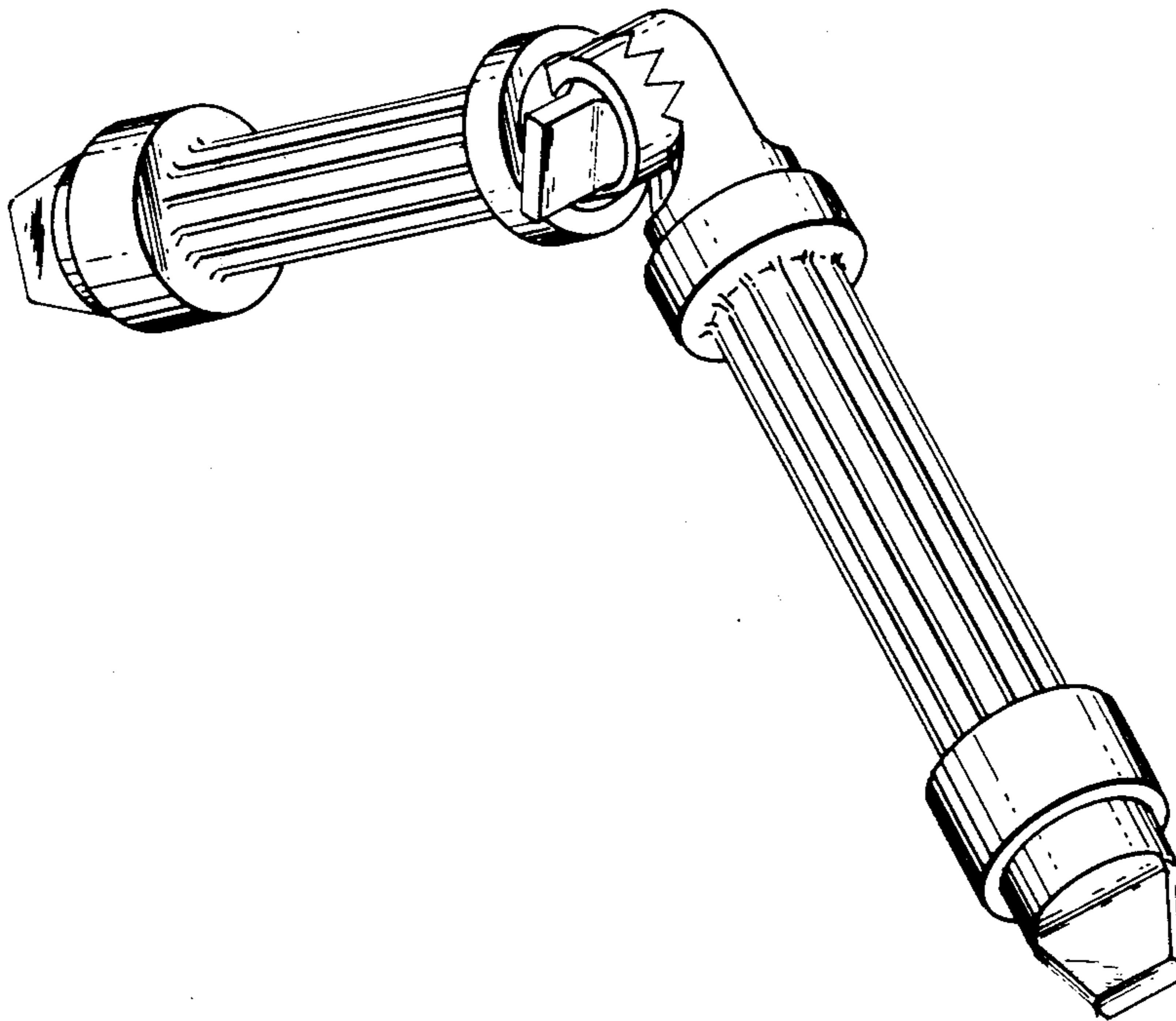
[57]

CLAIM

The ornamental design for an arm and wrist exercising device, as shown.

DESCRIPTION

FIG. 1 is a perspective view of an arm and wrist exercising device showing my new design; FIG. 2 is a top plan view thereof; FIG. 3 is a bottom plan view thereof; and, FIG. 4 is a front elevational view thereof.



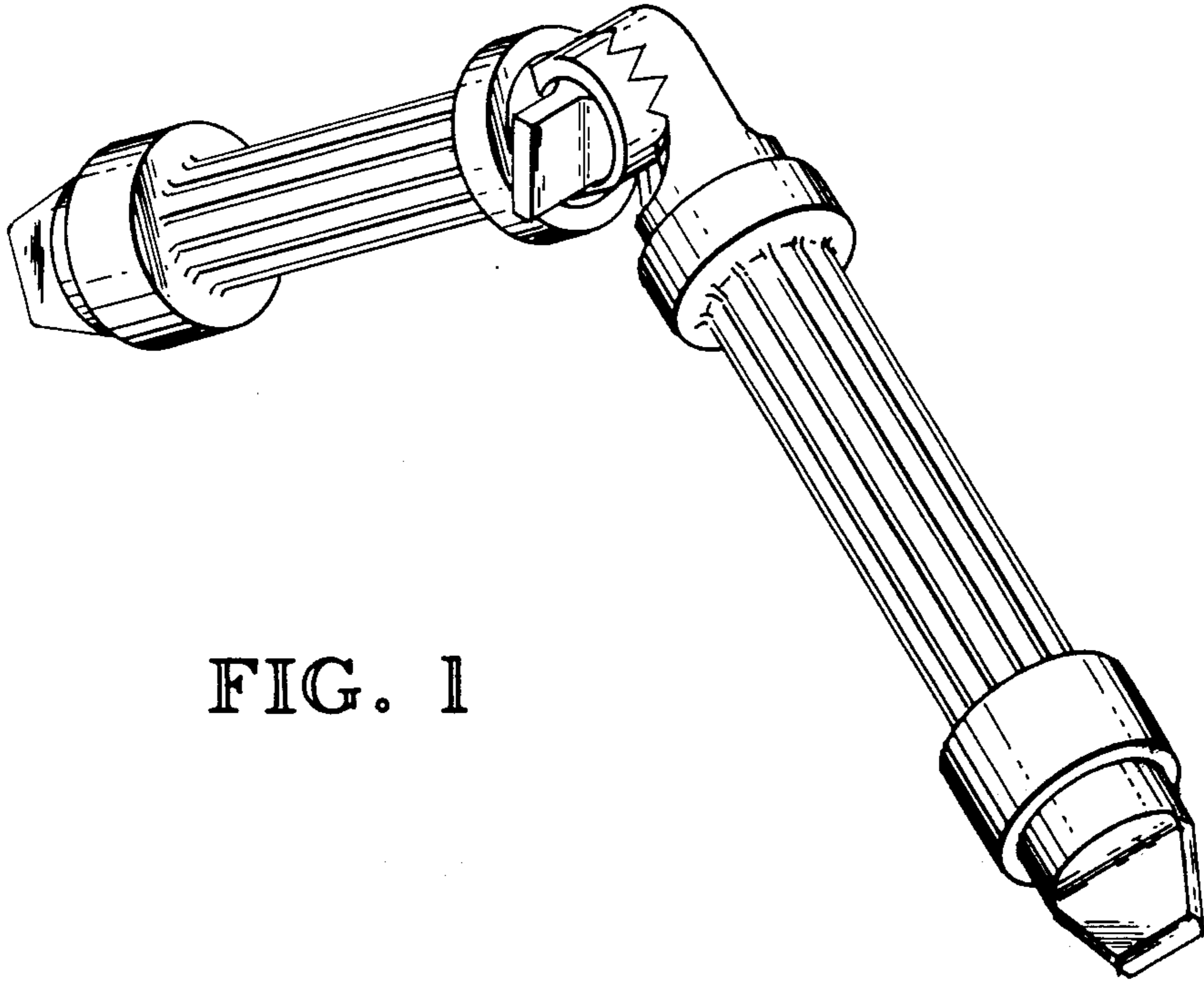
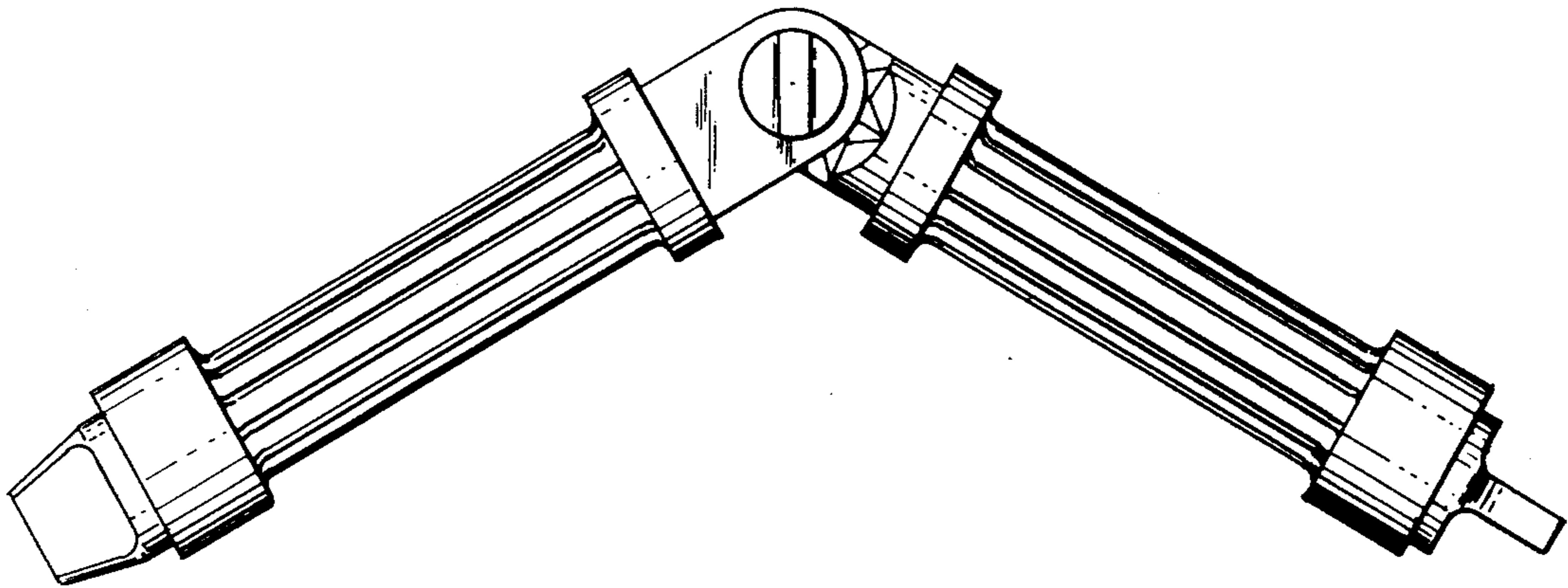


FIG. 1

FIG. 2



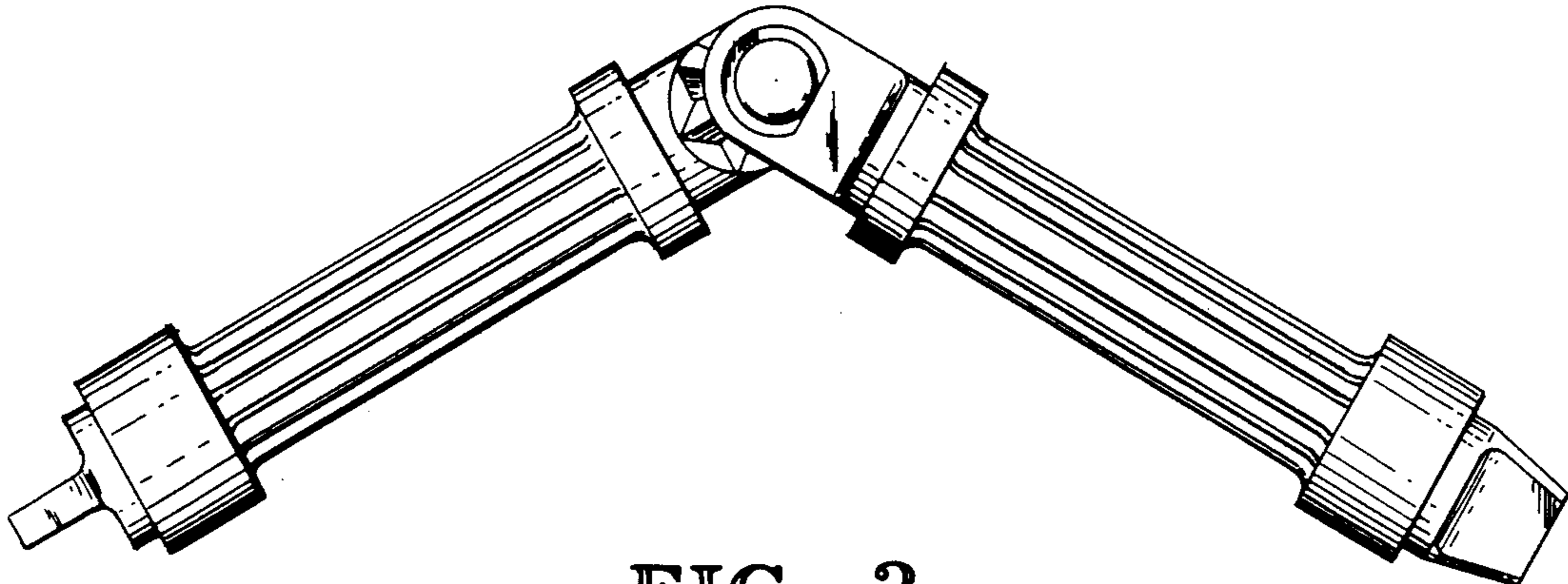


FIG. 3

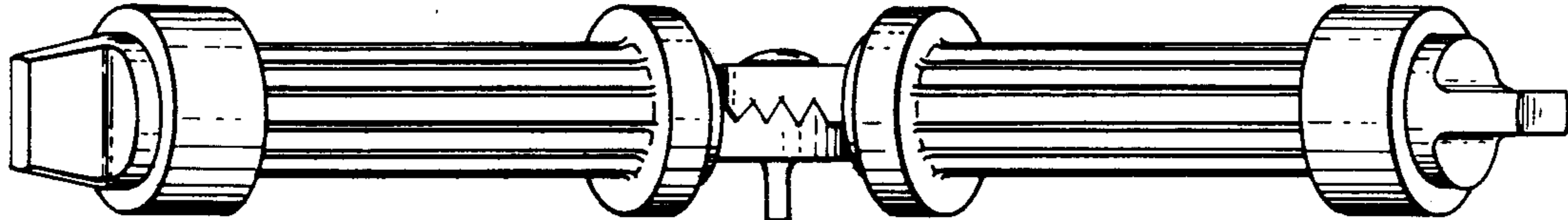


FIG. 4