

[54] TOY MOTOR SCOOTER OR SIMILAR ARTICLE

[75] Inventor: Paul W. Sansom, Manhattan Beach, Calif.

[73] Assignee: Mattel, Inc., Hawthorne, Calif.

[\*\*] Term: 14 Years

[21] Appl. No.: 841,157

[22] Filed: Oct. 11, 1977

[51] Int. Cl. .... D21-01

[52] U.S. Cl. .... D21/81; D12/110

[58] Field of Search ..... D34/15 AJ, 15 AT; D12/107, 108, 110; 280/87.01, 87.02, 87.02 R, 87.03, 87.05; 46/201, 206; D21/81

[56] References Cited PUBLICATIONS

Stile Industria, 2-1962, p. 22, Motor Scooter at top right corner of page.  
American Bicyclist & Motorcyclist, 1-1959, p. 94, Scooter at bottom right corner of page.  
J. C. Penney Xmas Catalog, 1975, p. 399, item #7, "Big Jim Motocross ® Honda ®".

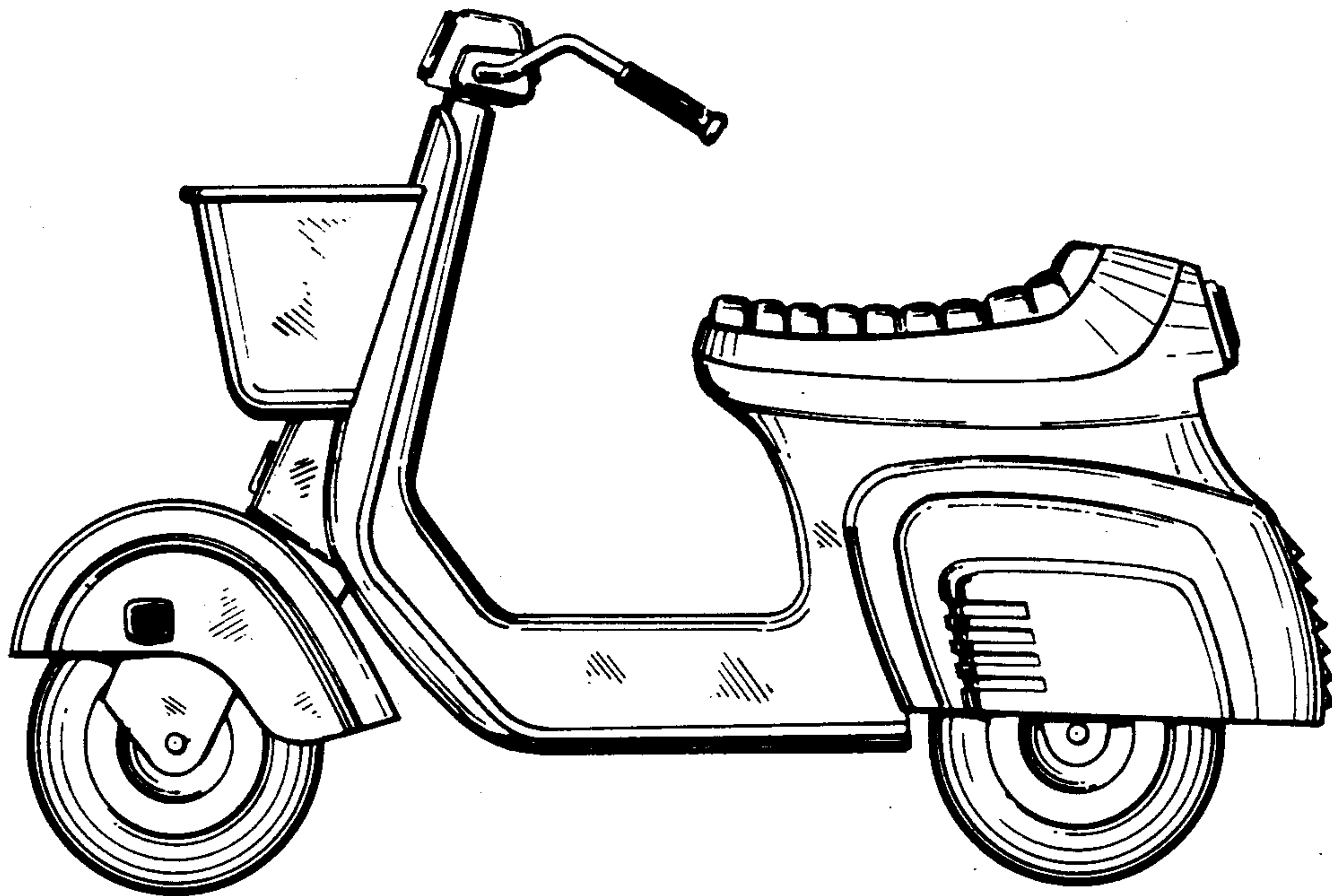
Primary Examiner—Winifred E. Herrmann  
Assistant Examiner—Charles A. Rademaker  
Attorney, Agent, or Firm—John G. Mesaros

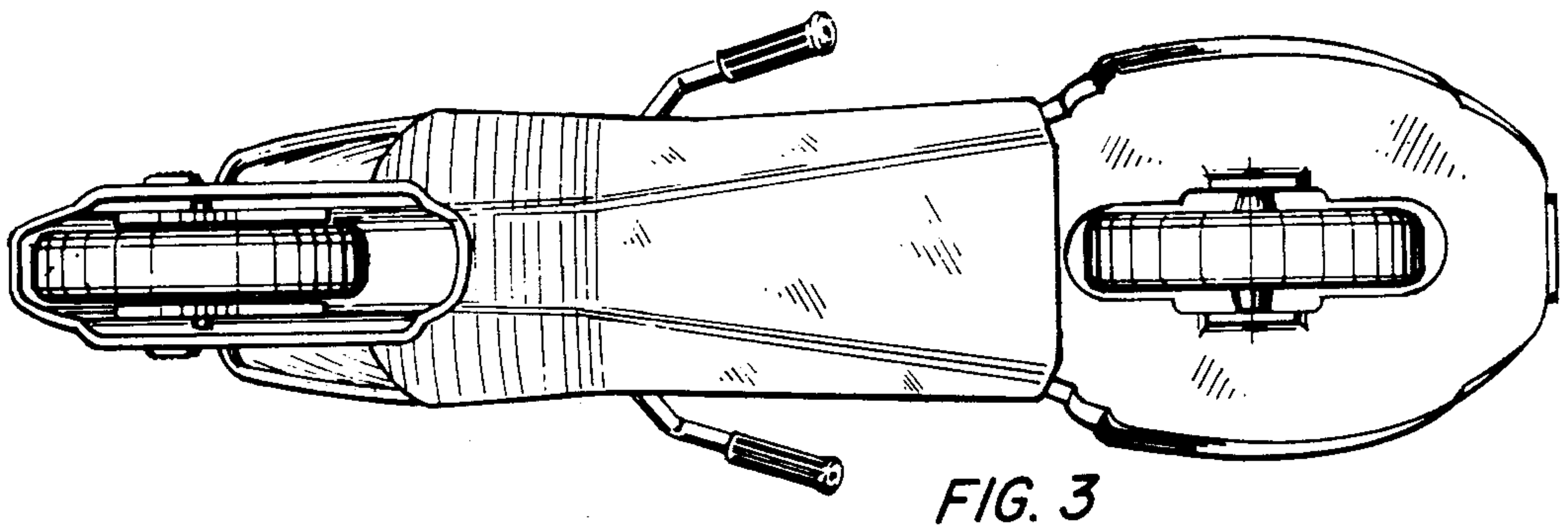
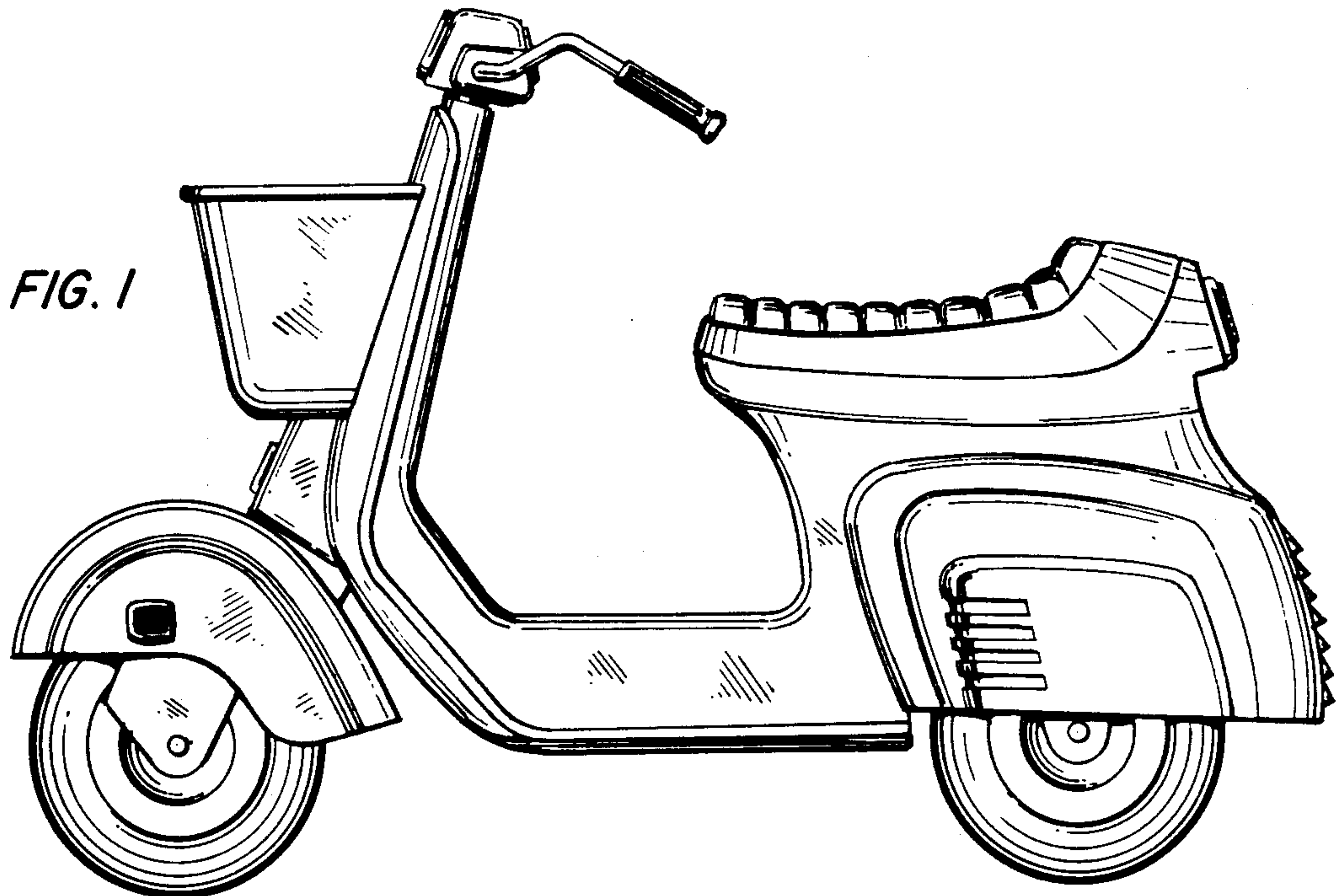
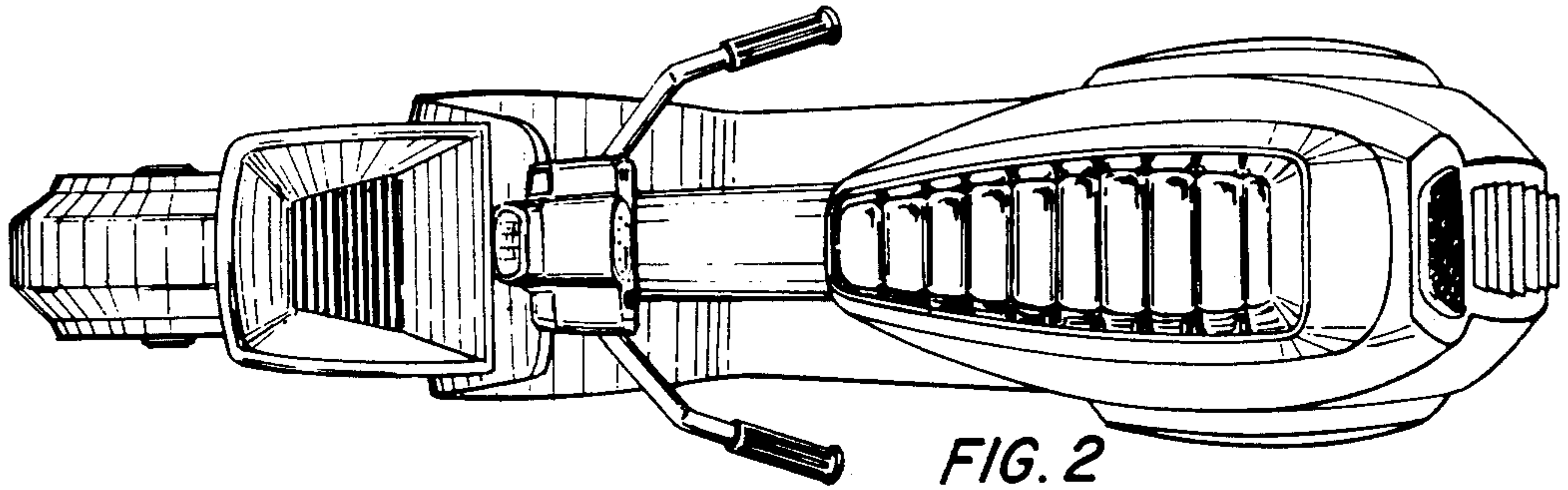
[57] CLAIM

The ornamental design for a toy motor scooter or similar article, as shown and described.

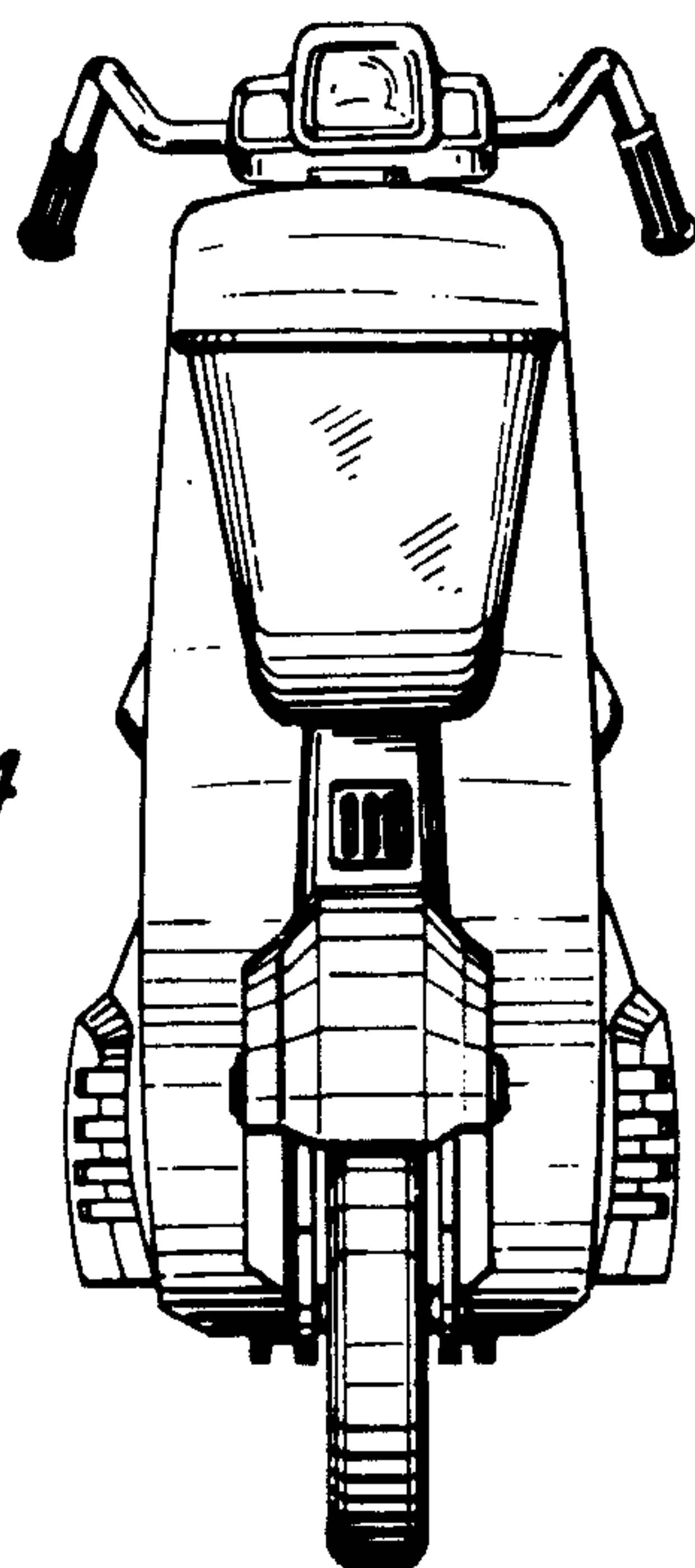
DESCRIPTION

FIG. 1 is a side elevational view of a toy motor scooter showing my new design, the opposite side being substantially a mirror image thereof;  
FIG. 2 is a top plan view thereof;  
FIG. 3 is a bottom plan view thereof;  
FIG. 4 is a front elevational view thereof; and  
FIG. 5 is a rear elevational view thereof.





*FIG. 4*



*FIG. 5*

