

[54] RING

[75] Inventor: Bill Corbin, Austin, Tex.

[73] Assignee: Artcarved Class Rings, Inc., New York, N.Y.

[**] Term: 14 Years

[21] Appl. No.: 862,350

[22] Filed: Dec. 20, 1977

[51] Int. Cl. D11-01

[52] U.S. Cl. D11/35; D11/37

[58] Field of Search D11/1-3, D11/26, 27, 30, 34, 35, 31, 36-39, 86; 63/1 R, 1 A, 2, 15-15.8

[56]

References Cited

U.S. PATENT DOCUMENTS

D. 23,210	4/1894	Hutchins	D11/35
D. 66,834	3/1925	Brod	D11/35
D. 79,259	8/1929	Schaeffer	D11/30 X
D. 84,427	6/1931	Meyers et al.	D11/31

Primary Examiner—Louis S. Zarfes

Attorney, Agent, or Firm—Louis Weinstein

[57]

CLAIM

The ornamental design for a ring, as shown.

DESCRIPTION

FIG. 1 is a three-quarter front perspective view of a ring, showing my new design;

FIG. 2 is a side elevational view of the ring of FIG. 1, showing my new design;

FIG. 3 is a top perspective view of the ring of FIG. 1, showing my new design;

FIG. 4 is a bottom plan view of the ring of FIG. 1, showing my new design.

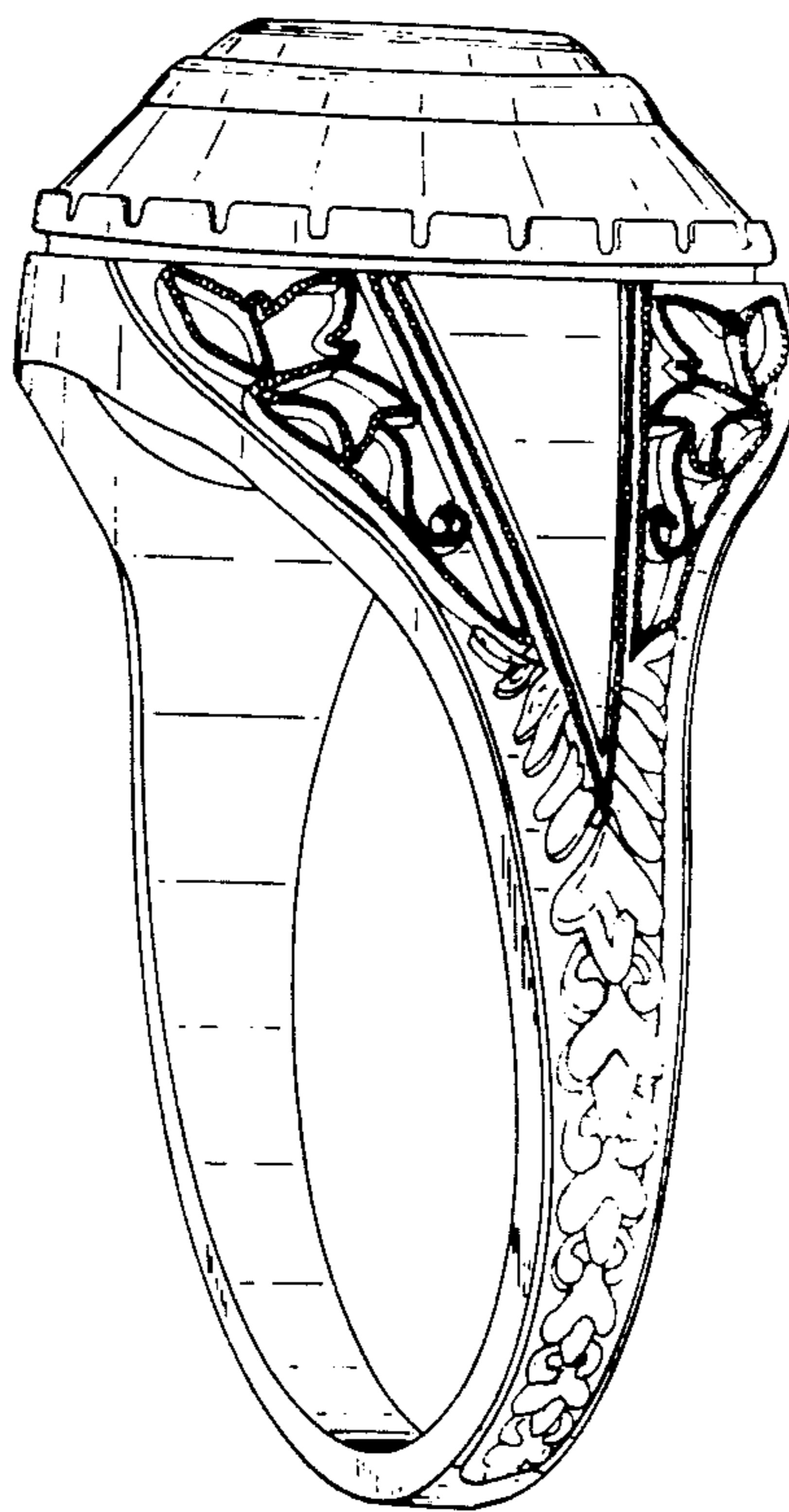
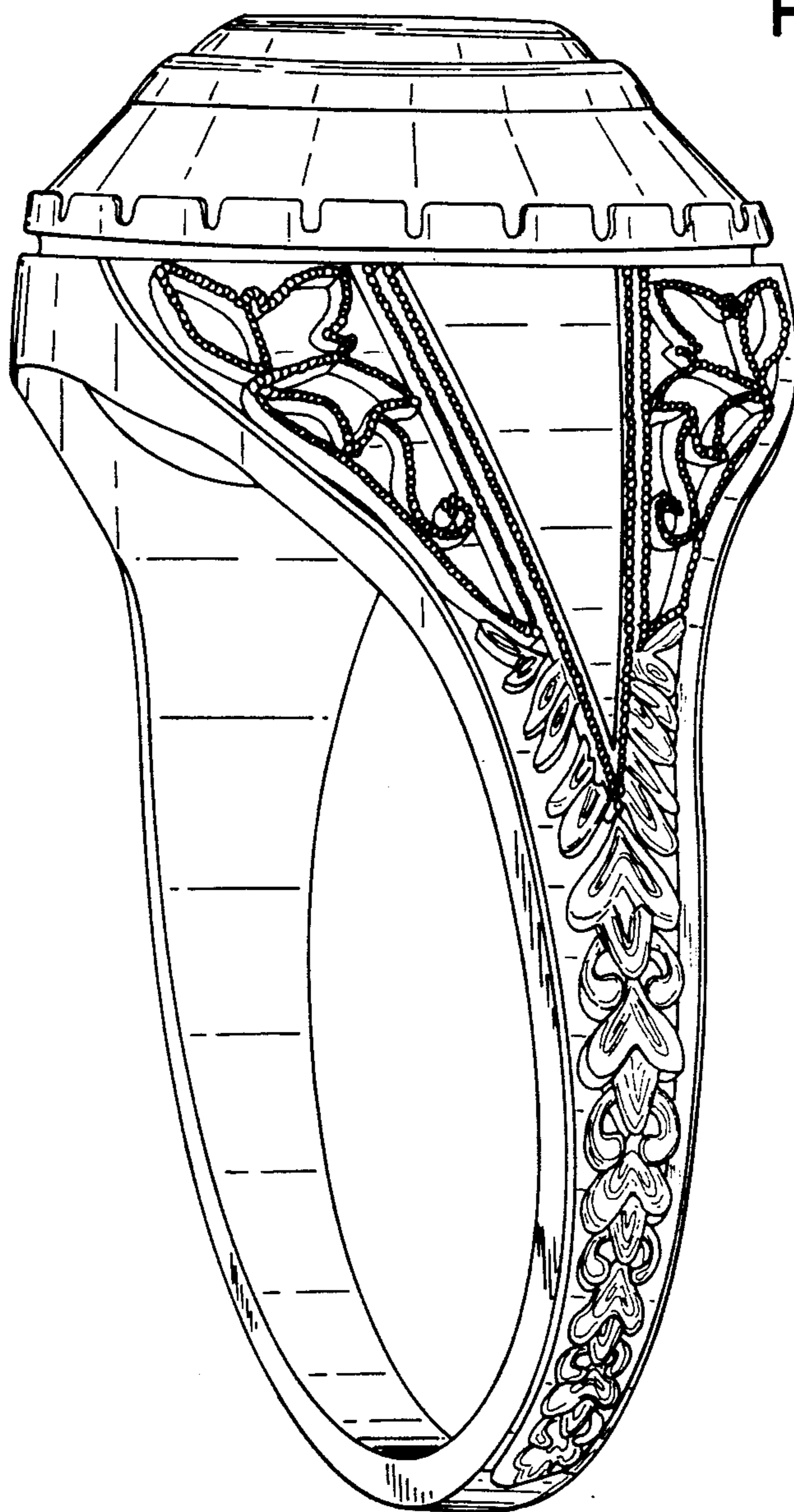


FIG. 1



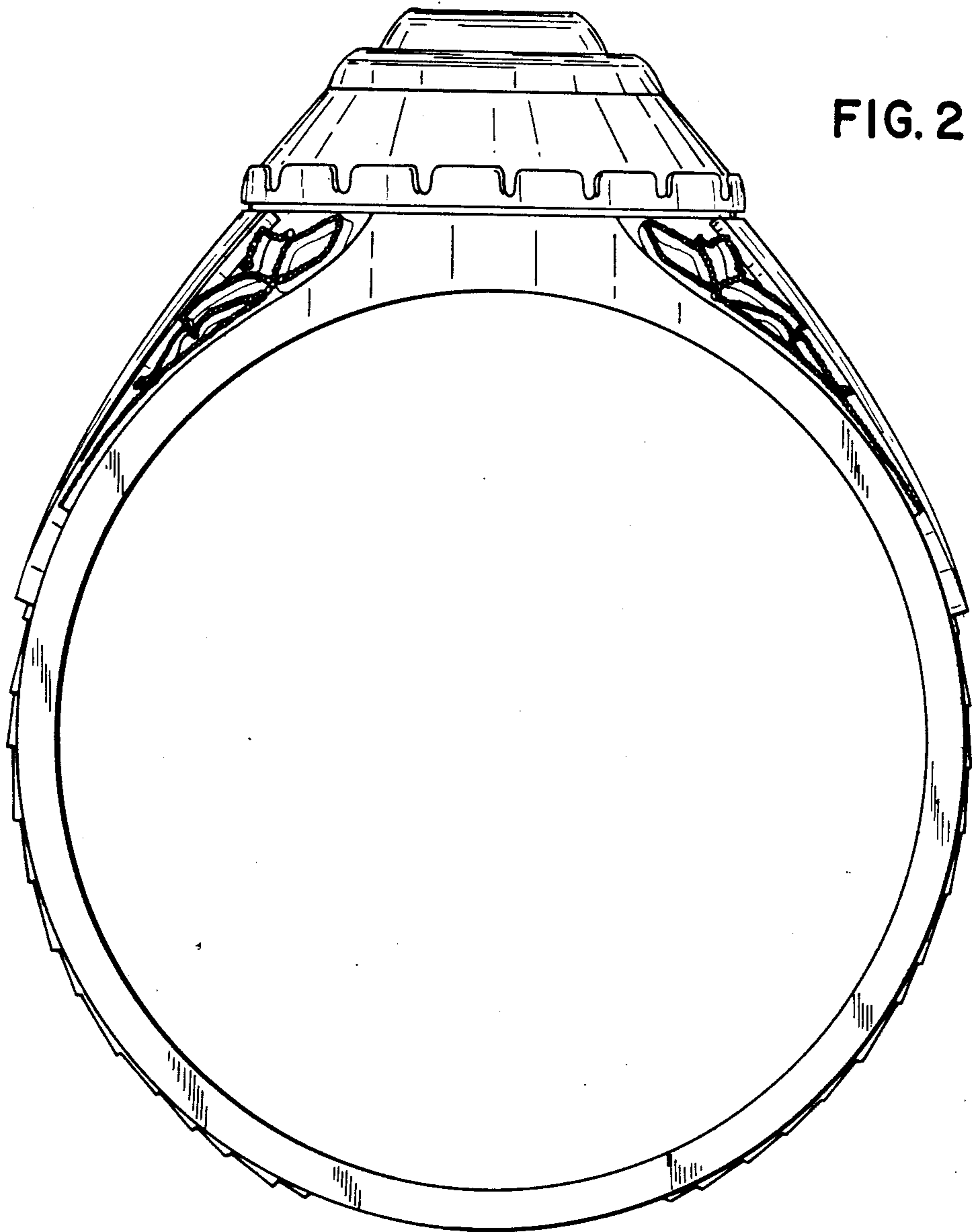


FIG. 2

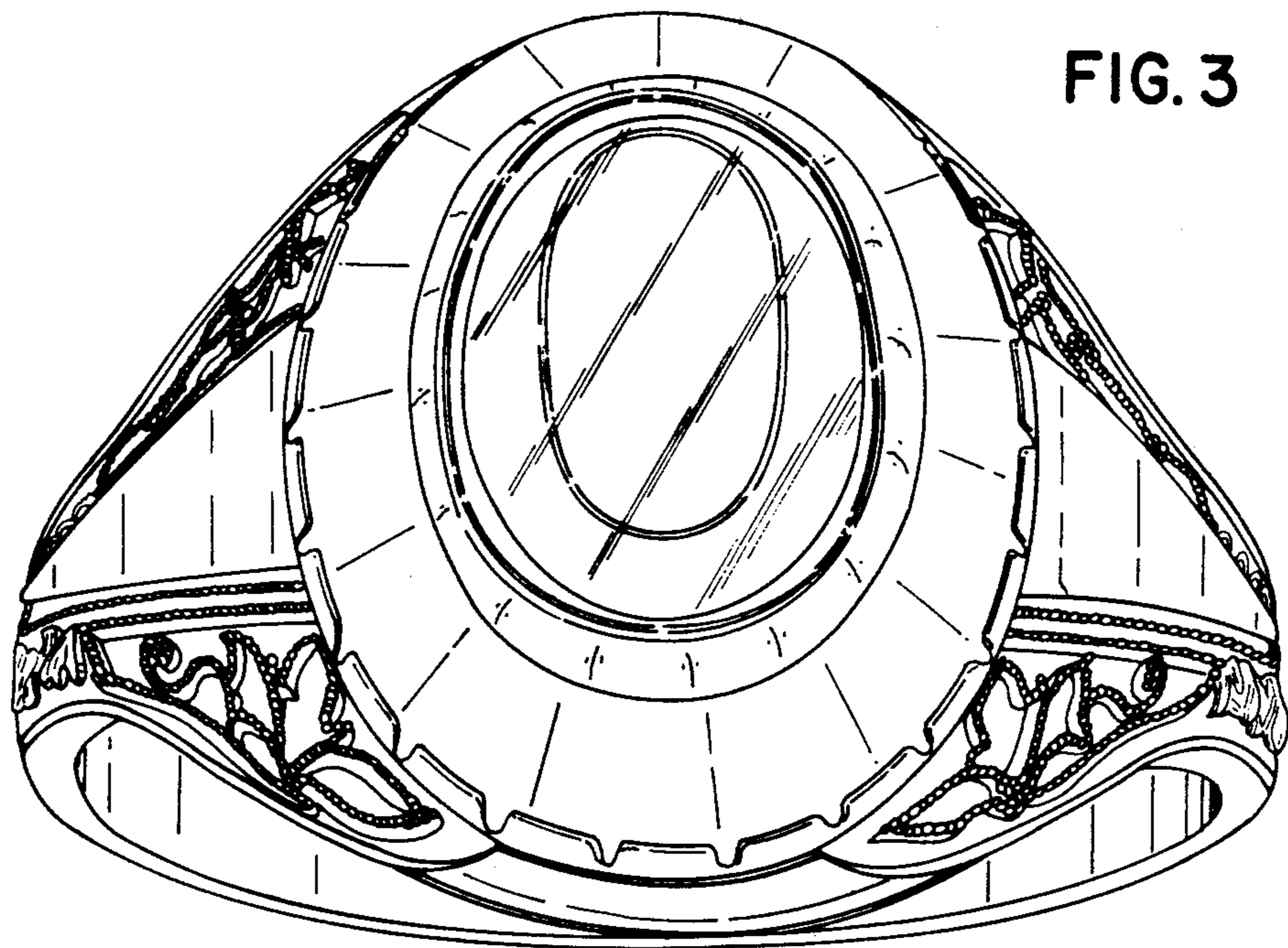


FIG. 3

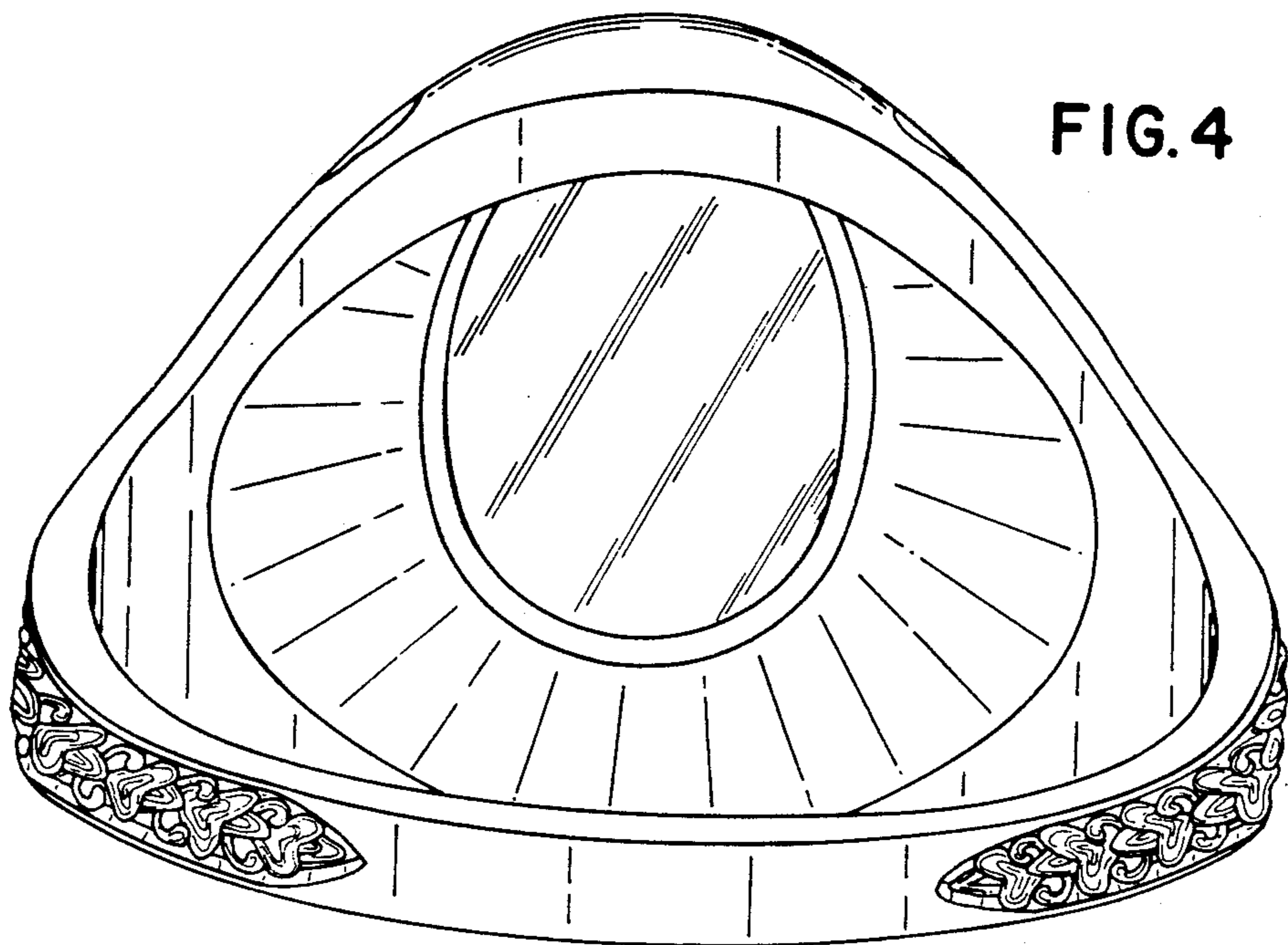


FIG. 4