

[54] DRAWING INSTRUMENT

3,945,123 3/1976 Tortorici 33/104 X

[76] Inventor: Joseph M. Boarman, 1814 W. Wyoming St., Indianapolis, Ind. 46221

Primary Examiner—Nelson C. Holtje
Attorney, Agent, or Firm—Harold R. Woodard

[**] Term: 14 Years

[57] CLAIM

The ornamental design for a drawing instrument, as shown and deccribed.

[21] Appl. No.: 816,094

[22] Filed: Jul. 15, 1977

DESCRIPTION

[51] Int. Cl. D10-04

FIG. 1 is a top plan view of the drawing instrument showing my new design, the bottom plan being mirror image thereto.

[52] U.S. Cl. D10/62

FIG. 2 is a right side elevational view thereof.

[58] Field of Search D10/61, 62, 63, 64, D10/65, 74; 33/1 K, 77, 104, 107 R, 111

FIG. 3 is a left side elevational view thereof.

FIG. 4 is a front edge elevational view thereof.

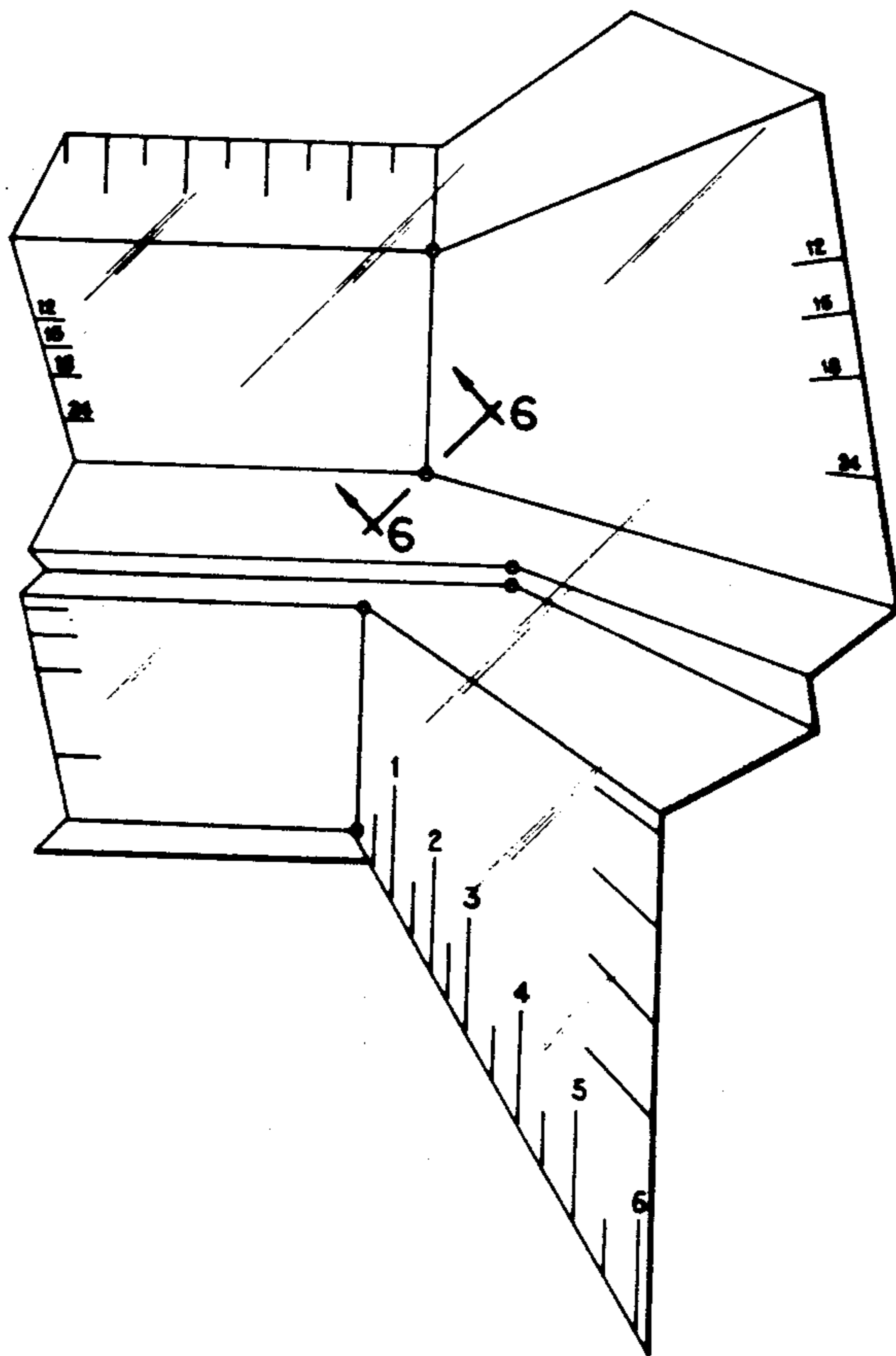
FIG. 5 is a rear edge elevational view thereof.

[56] References Cited

U.S. PATENT DOCUMENTS

D. 167,432	8/1952	Turner	D10/64
D. 186,283	10/1959	Lannon	D10/64
1,964,197	6/1934	Edison	33/1 K

FIG. 6 is a fragmentary cross-sectional view as taken from line 6-6 of FIG. 1 which illustrates the uniform height embossments of the lines. The other lines and numerals are also embossed.



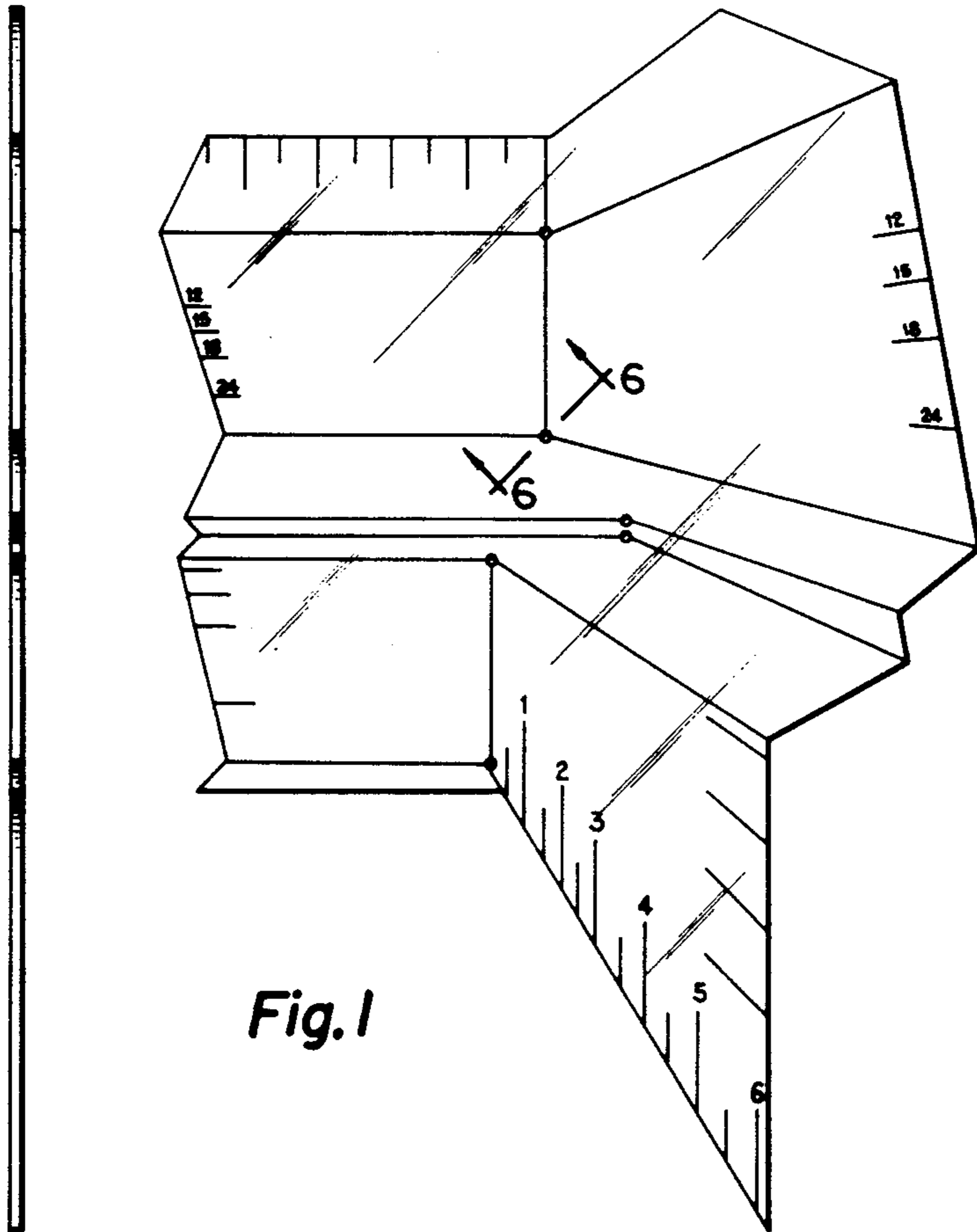


Fig. 1

Fig. 3



Fig. 2

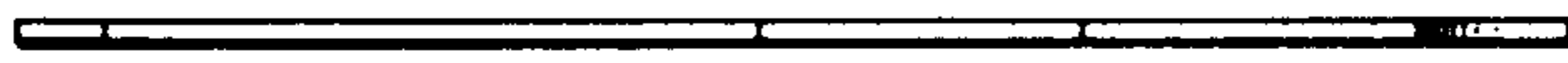


Fig. 4

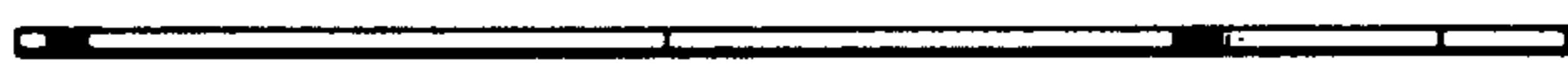


Fig. 5

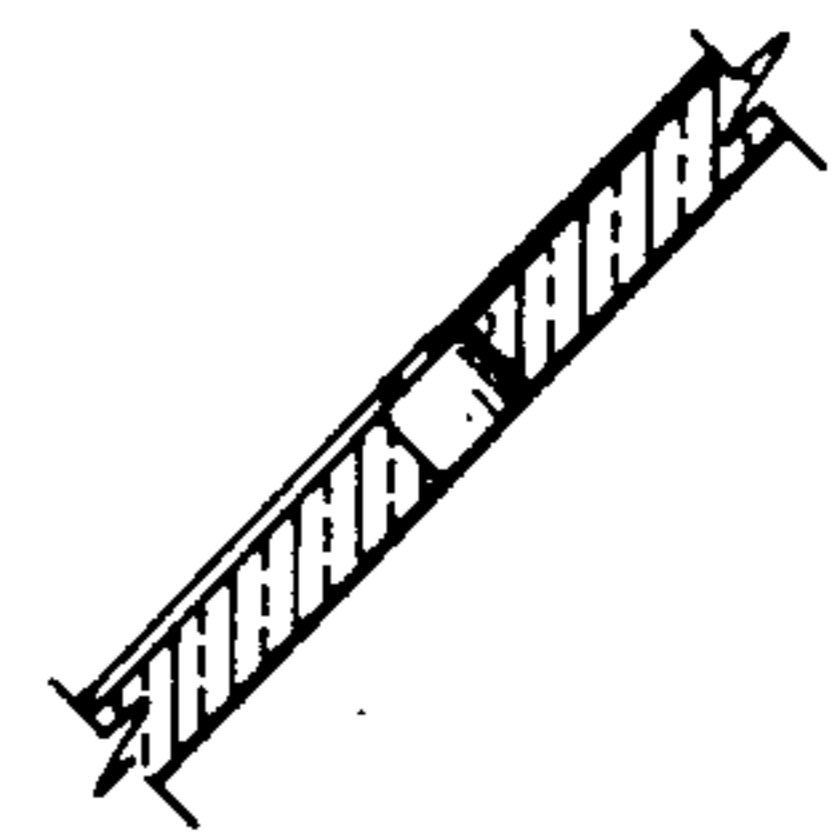


Fig. 6