

[54] CHAIN LINK

[75] Inventor: Eugene W. Onulak, Huntington, Ind.

[73] Assignee: Allied-Locke Industries, Dixon, Ill.

[\*\*] Term: 14 Years

[21] Appl. No.: 834,373

[22] Filed: Sep. 19, 1977

[51] Int. Cl. .... D8-99

[52] U.S. Cl. .... D8/499

[58] Field of Search ..... D8/499; 59/82, 91; D11/93

[56] References Cited

U.S. PATENT DOCUMENTS

D. 30,362	3/1899	Locke .....	D8/499
D. 32,563	4/1900	Levalley .....	D8/499
D. 124,198	12/1940	Paxton .....	D8/499
D. 229,393	11/1973	Graetz .....	D8/499
3,026,670	3/1962	Burkhardt .....	59/82

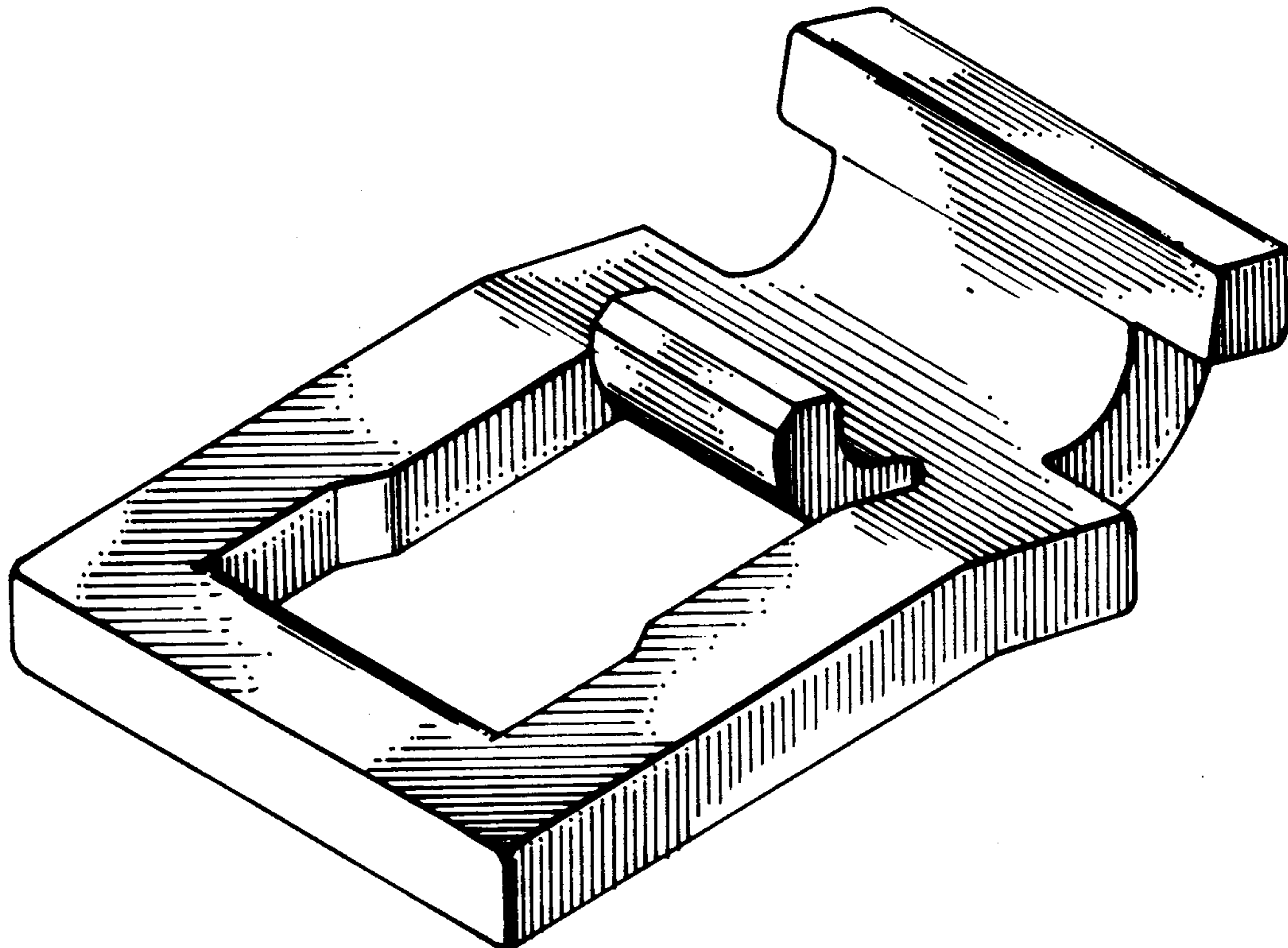
Primary Examiner—Wallace R. Burke  
Assistant Examiner—B. J. Bullock  
Attorney, Agent, or Firm—Marmaduke A. Hobbs

[57] CLAIM

The ornamental design for a chain link, substantially as shown and described.

DESCRIPTION

FIG. 1 is a perspective view of a chain link showing my new design;  
 FIG. 2 is a top plan view of FIG. 1;  
 FIG. 3 is a sectional view taken in the direction of the arrows on line 3—3 of FIG. 2;  
 FIG. 4 is an end elevational view taken from the rear of FIG. 1;  
 FIG. 5 is an end elevational view taken from the front of FIG. 1;  
 FIG. 6 is a bottom plan view of FIG. 1;  
 FIG. 7 is a perspective view of a second embodiment of the design of FIG. 1;  
 FIG. 8 is a top plan view of FIG. 7;  
 FIG. 9 is a sectional view taken in the direction of the arrows on line 9—9 of FIG. 8;  
 FIG. 10 is an end elevational view taken from the rear of FIG. 7;  
 FIG. 11 is an end elevational view taken from the front of FIG. 7;  
 FIG. 12 is a bottom plan view of FIG. 7.  
 The sides opposite those shown in FIGS. 1 and 7 are mirror images thereof.



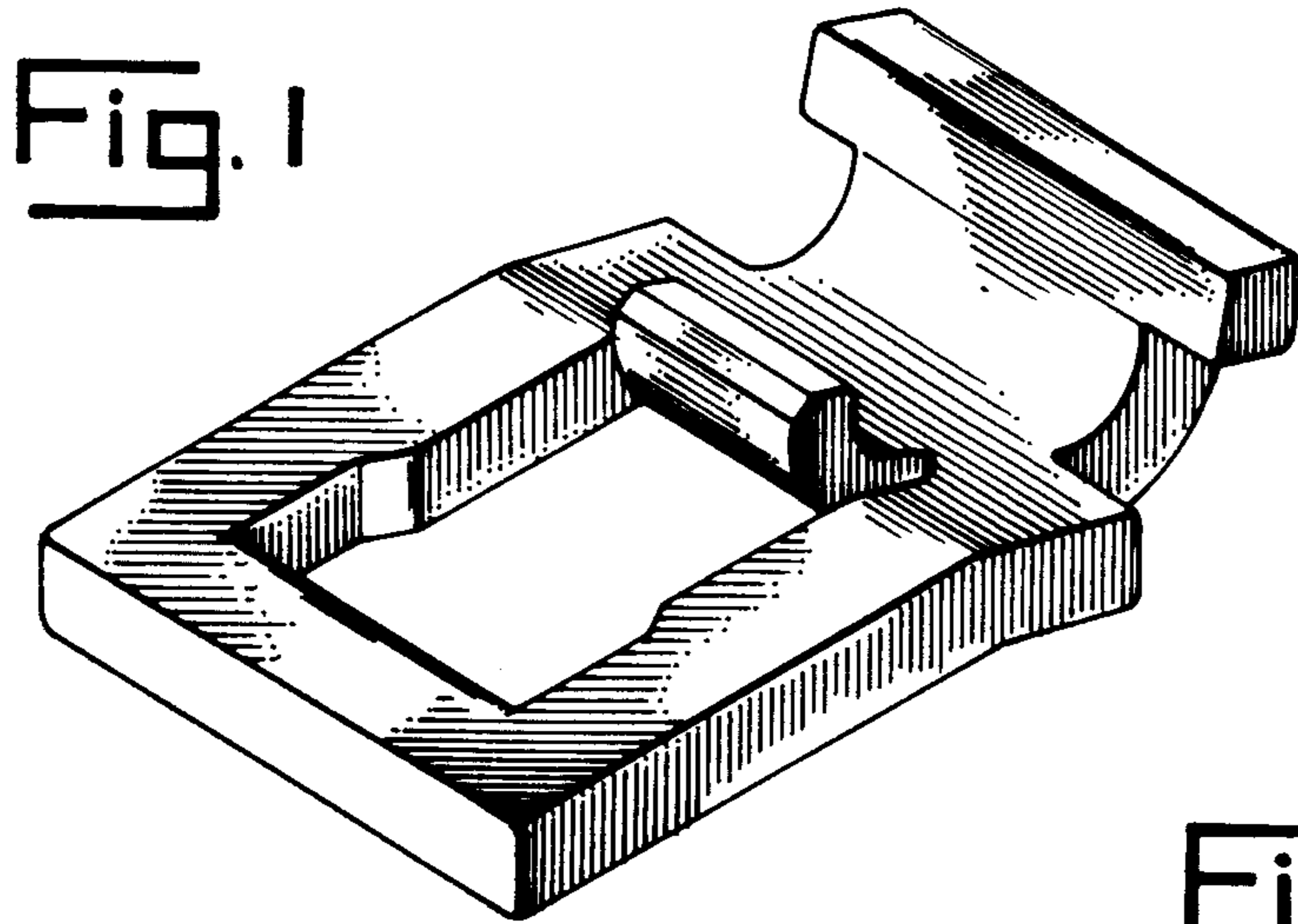


Fig. 2

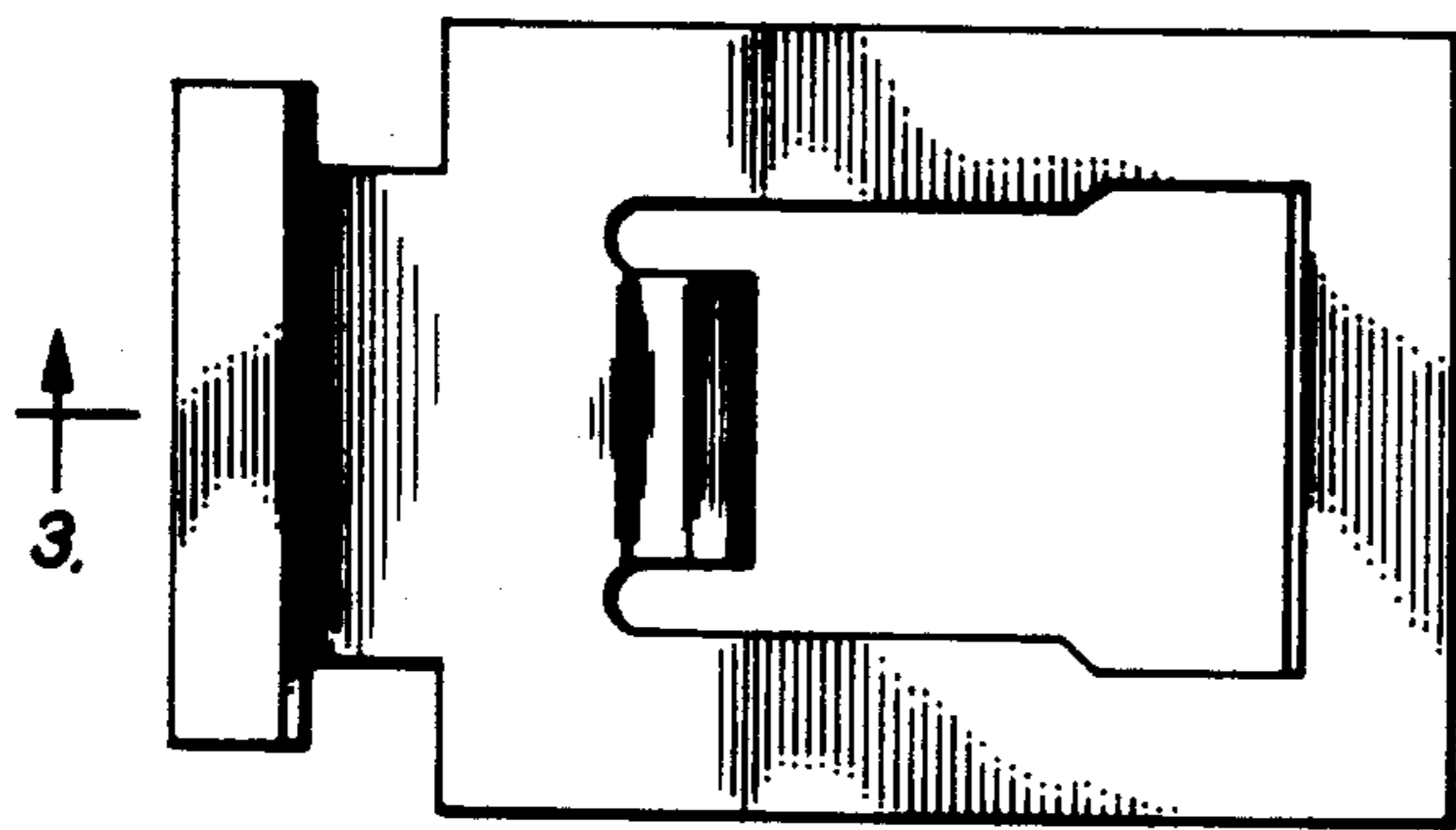


Fig. 4

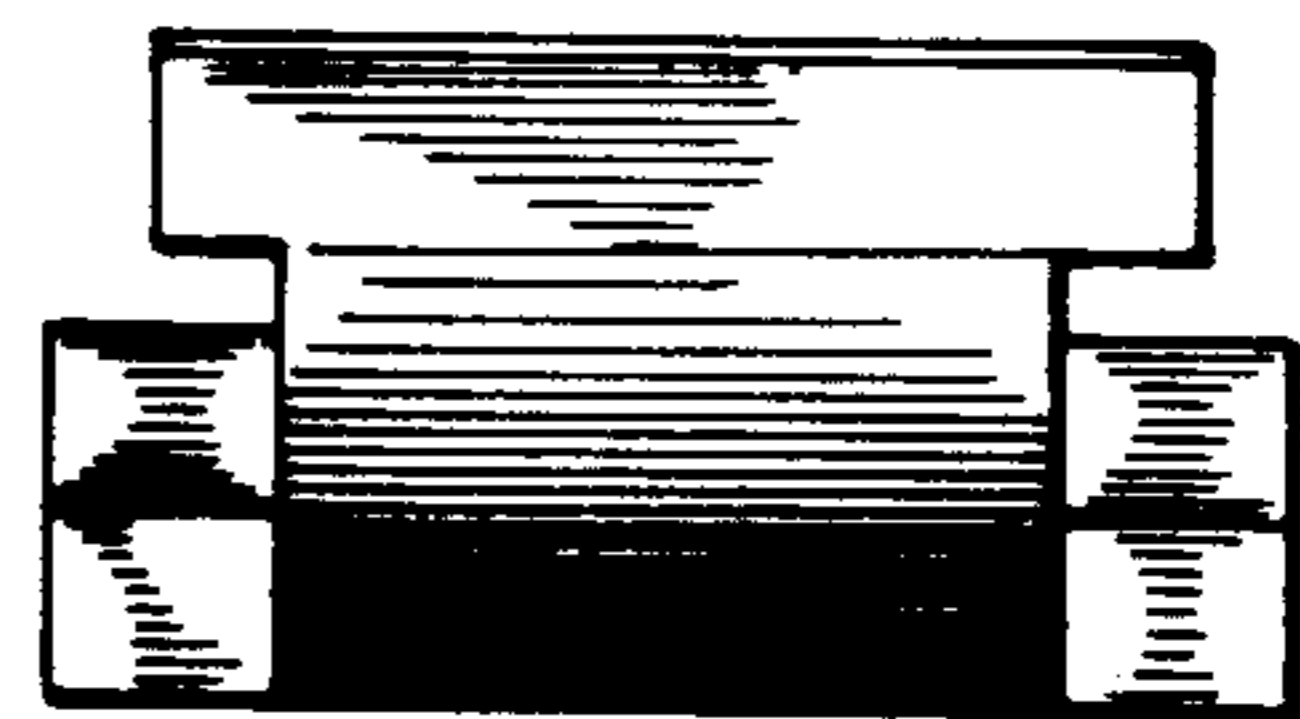


Fig. 5

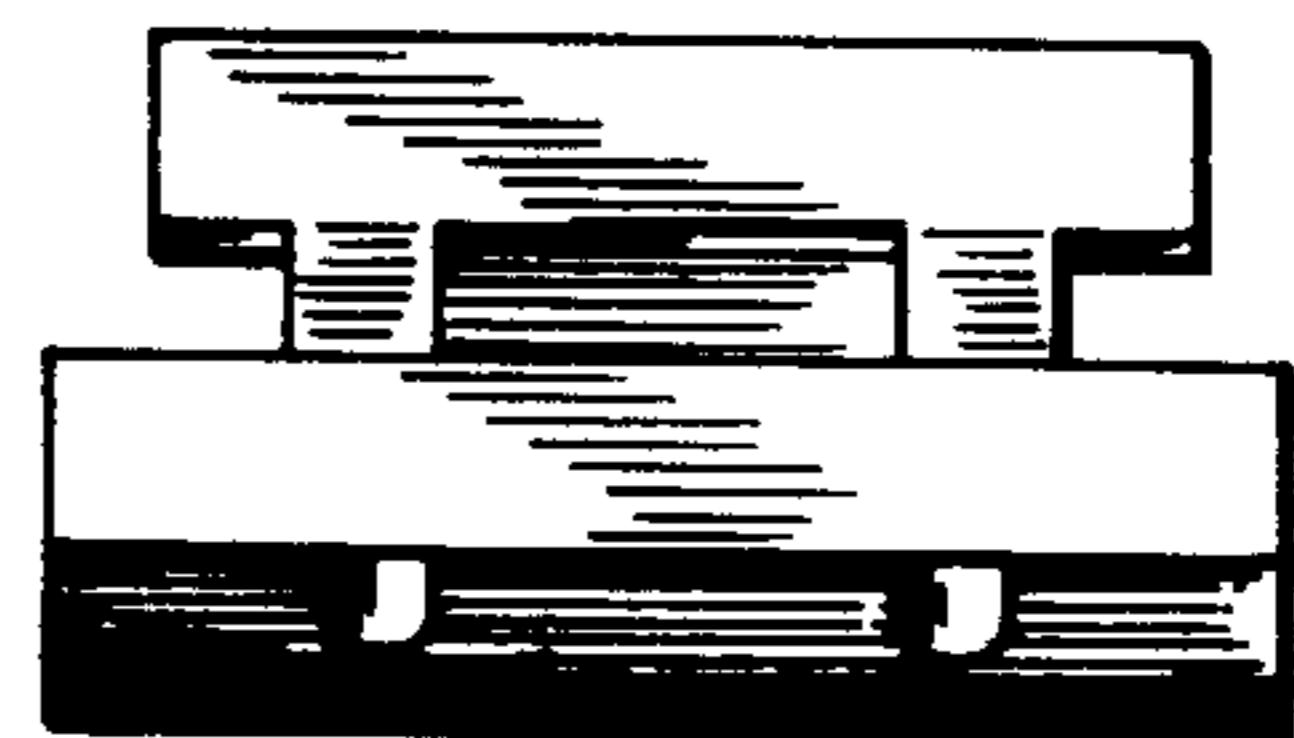


Fig. 3

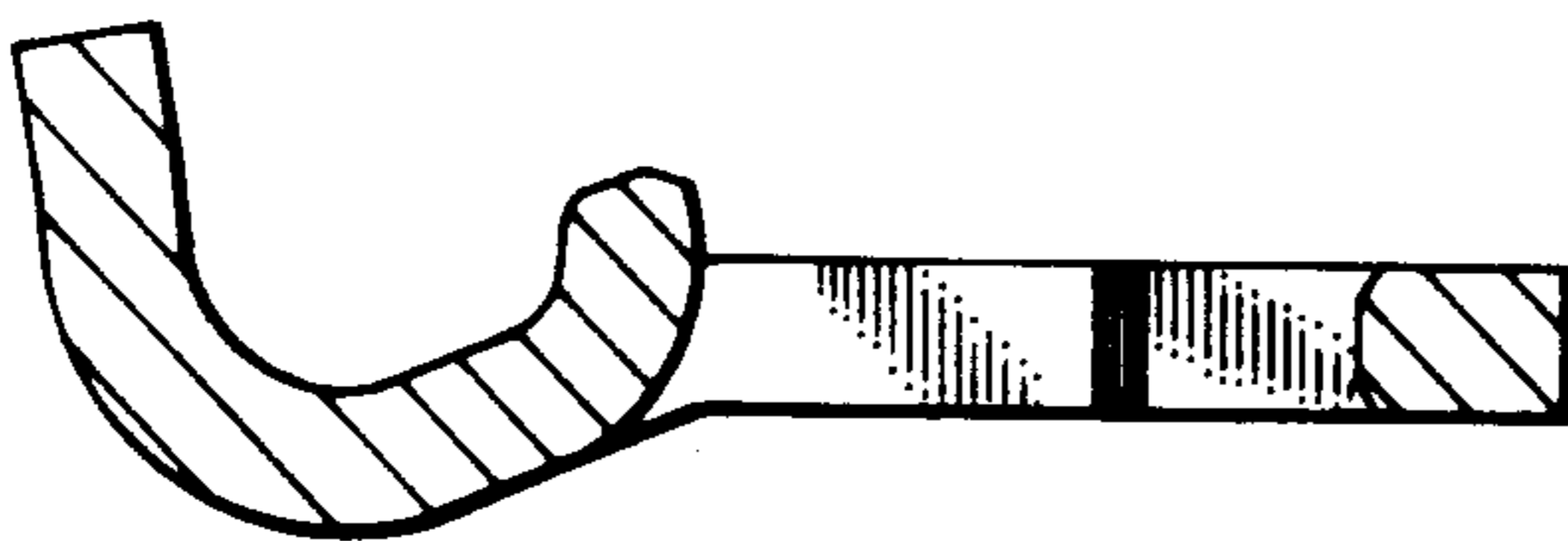


Fig. 6

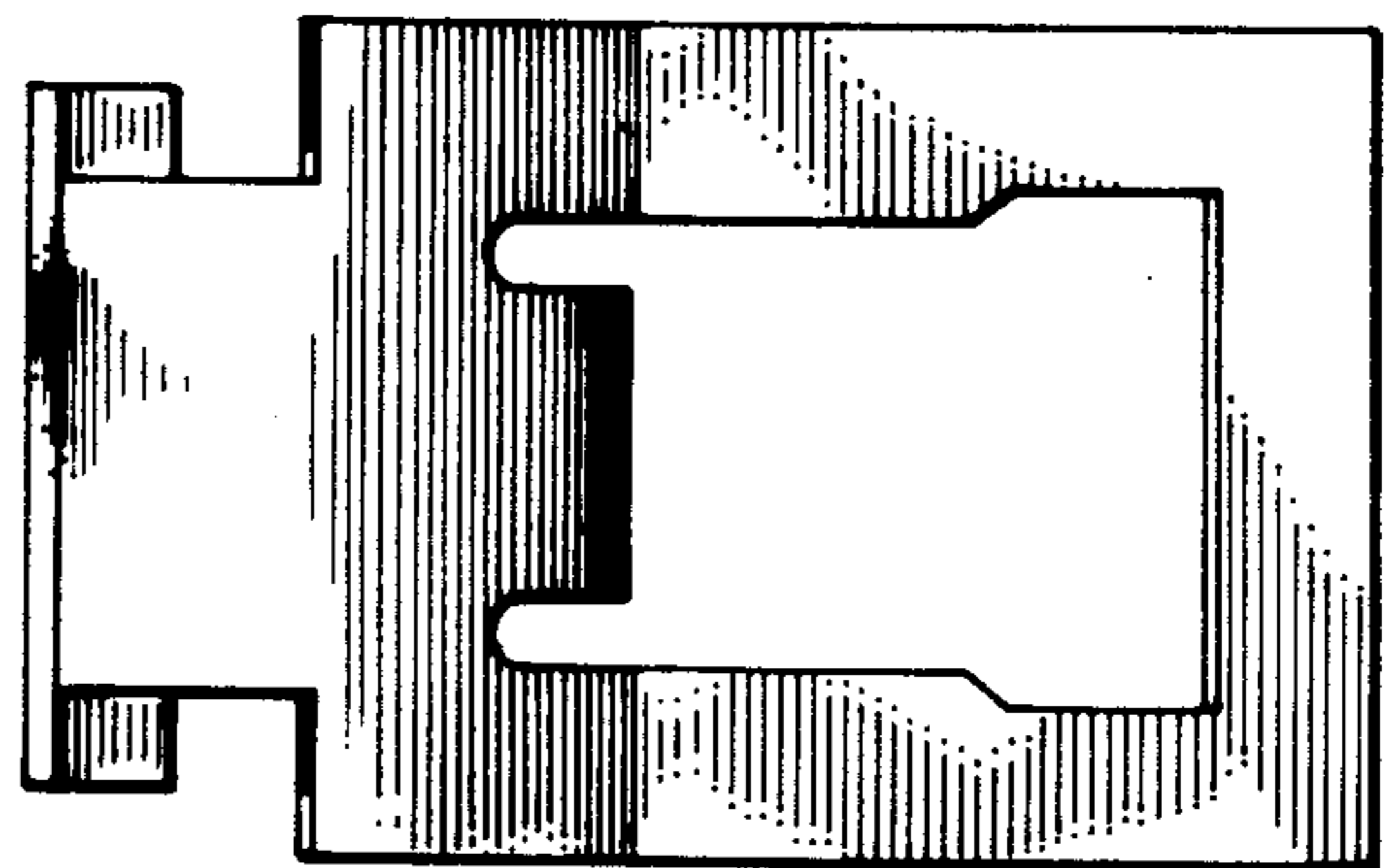


Fig. 7

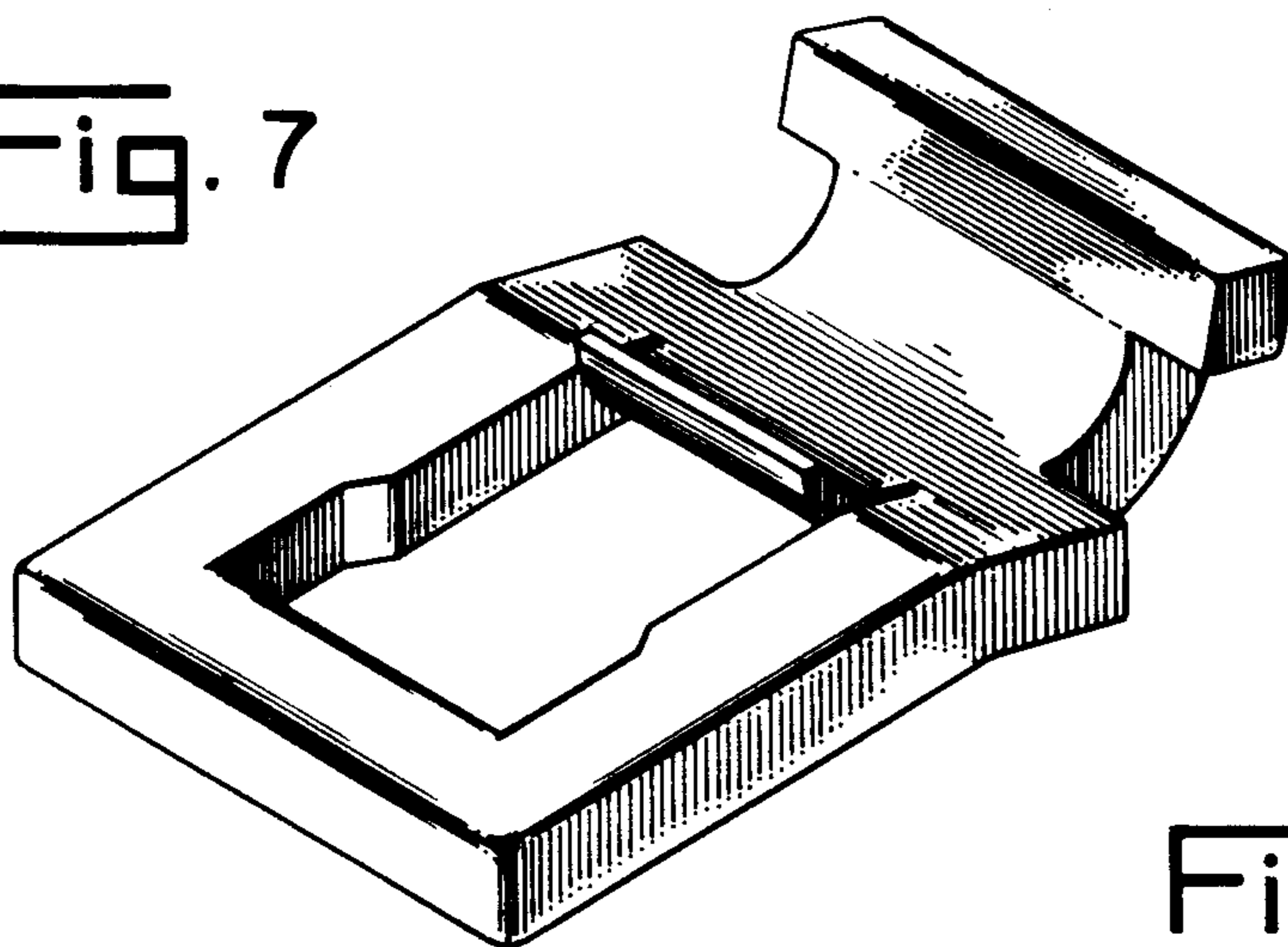


Fig. 8

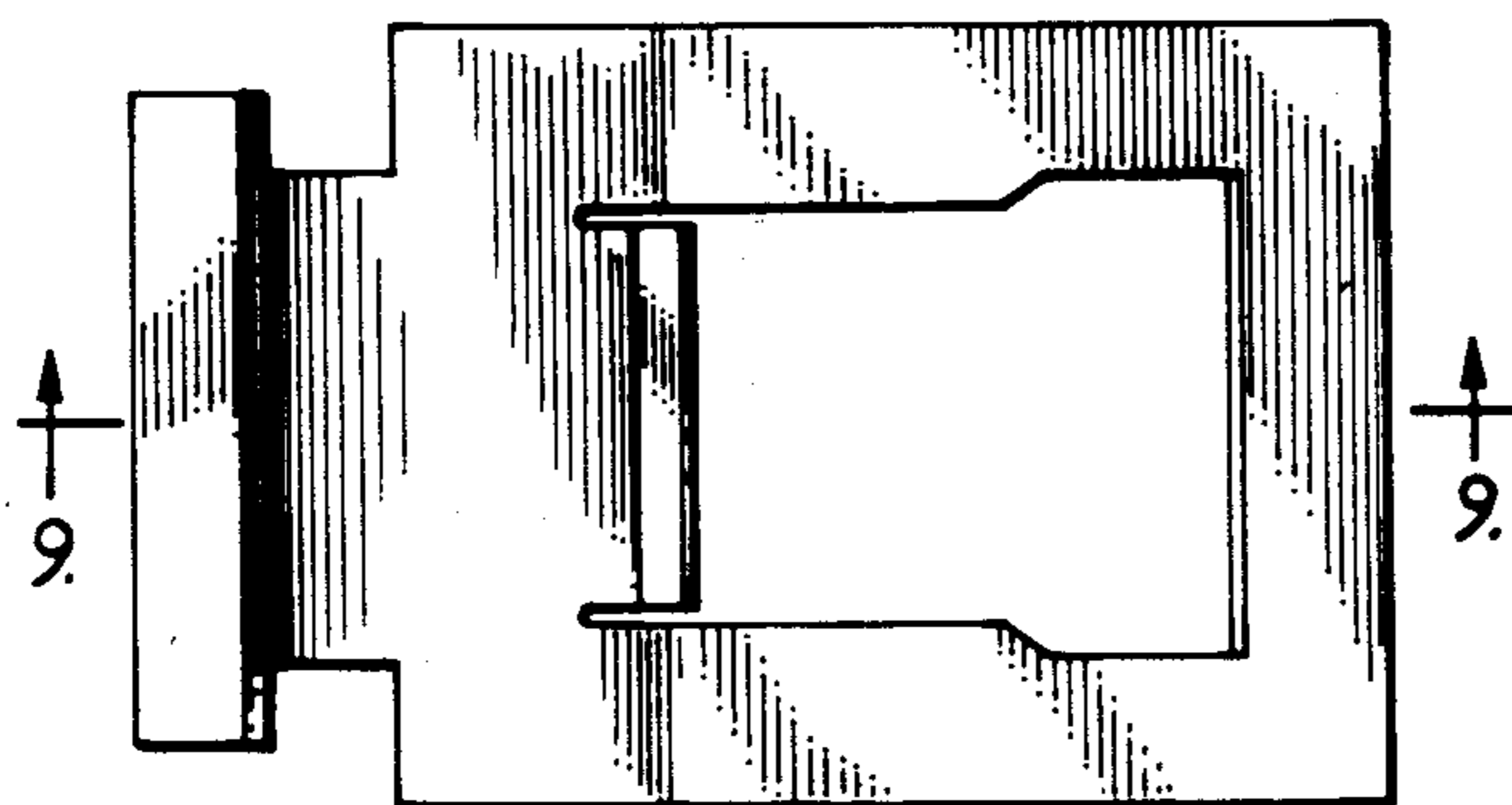


Fig. 10

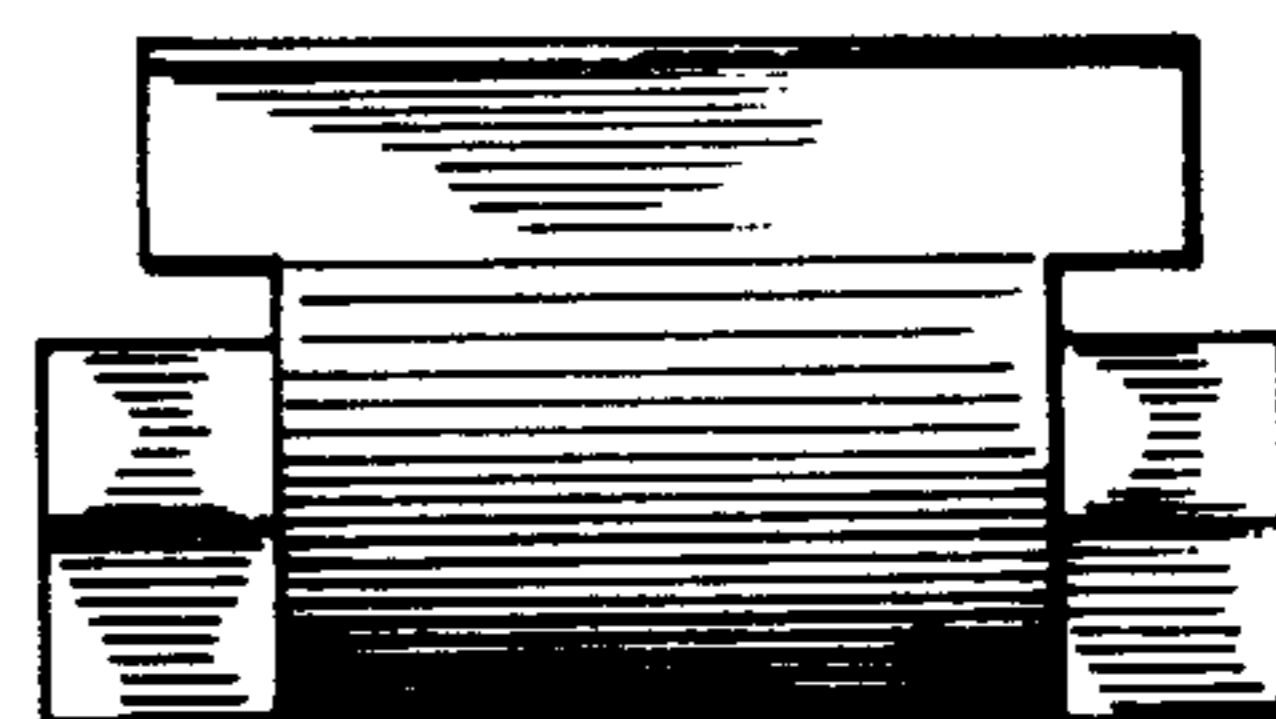


Fig. 11

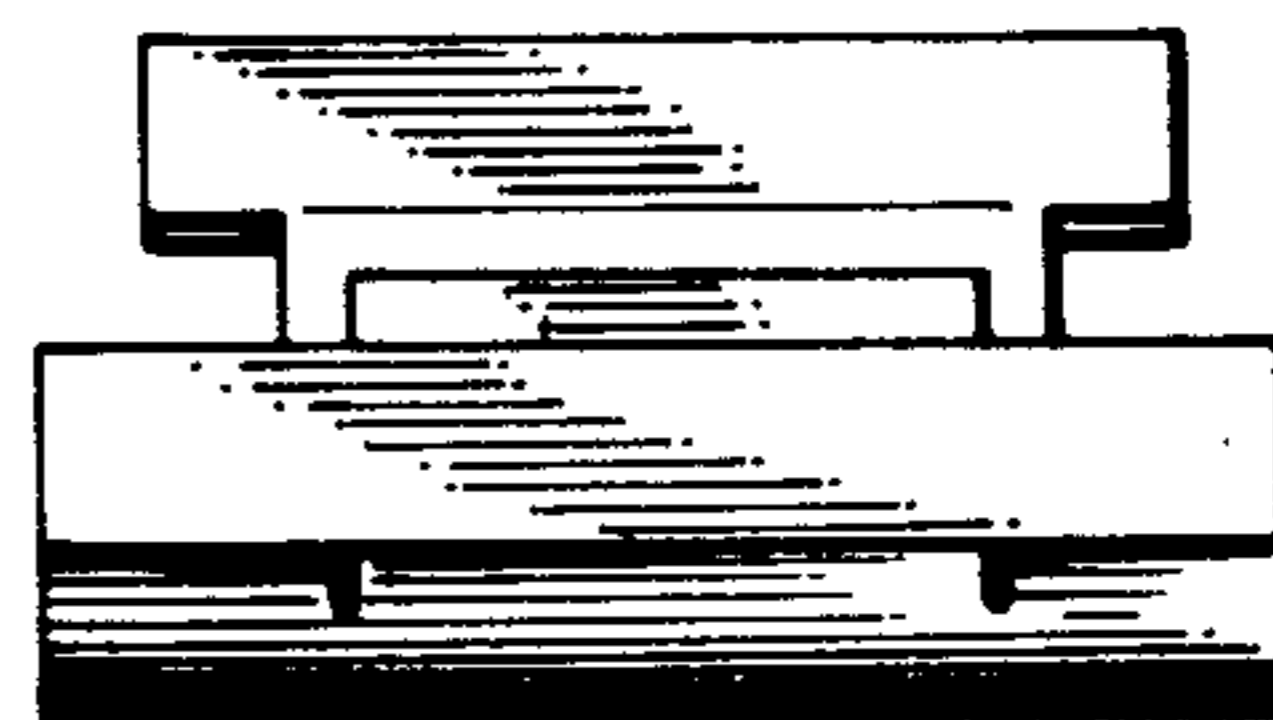


Fig. 9

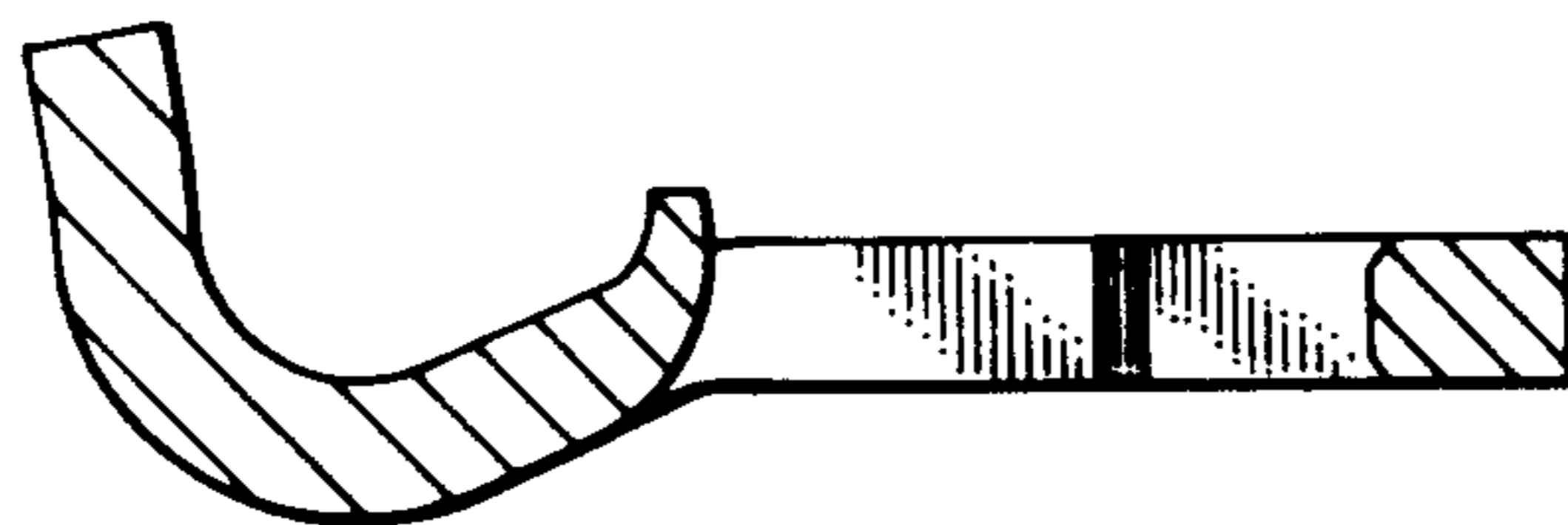


Fig. 12

