

[54] **ADJUSTABLE FERTILIZER APPLICATOR FOR HOUSE PLANTS**

[75] Inventor: **Charles A. Wells**, Marysville, Ohio

[73] Assignee: **O.M. Scott & Sons Company**, New York, N.Y.

[\*\*] Term: **14 Years**

[21] Appl. No.: **833,390**

[22] Filed: **Sep. 14, 1977**

[51] Int. Cl. .... **D7-99; D10-04**

[52] U.S. Cl. .... **D8/2; D7/50**

[58] Field of Search ..... **D10/96, 101; 73/429, 73/426; D7/50; D24/63; D8/1, 2; 30/141**

[56] **References Cited**

**U.S. PATENT DOCUMENTS**

- D. 170,414 9/1953 Ischinger, Sr. .... D8/2
- D. 179,956 3/1957 Setecka ..... D7/50

- D. 224,260 7/1972 Zeitzer et al. .... D24/63
- 3,391,578 7/1968 Connellis ..... 73/429
- 3,798,975 3/1974 Horst ..... 73/429

*Primary Examiner*—Bernard Ansher  
*Attorney, Agent, or Firm*—Walter J. Baum

[57] **CLAIM**

The ornamental design for an adjustable fertilizer applicator for house plants, substantially as shown and designed.

**DESCRIPTION**

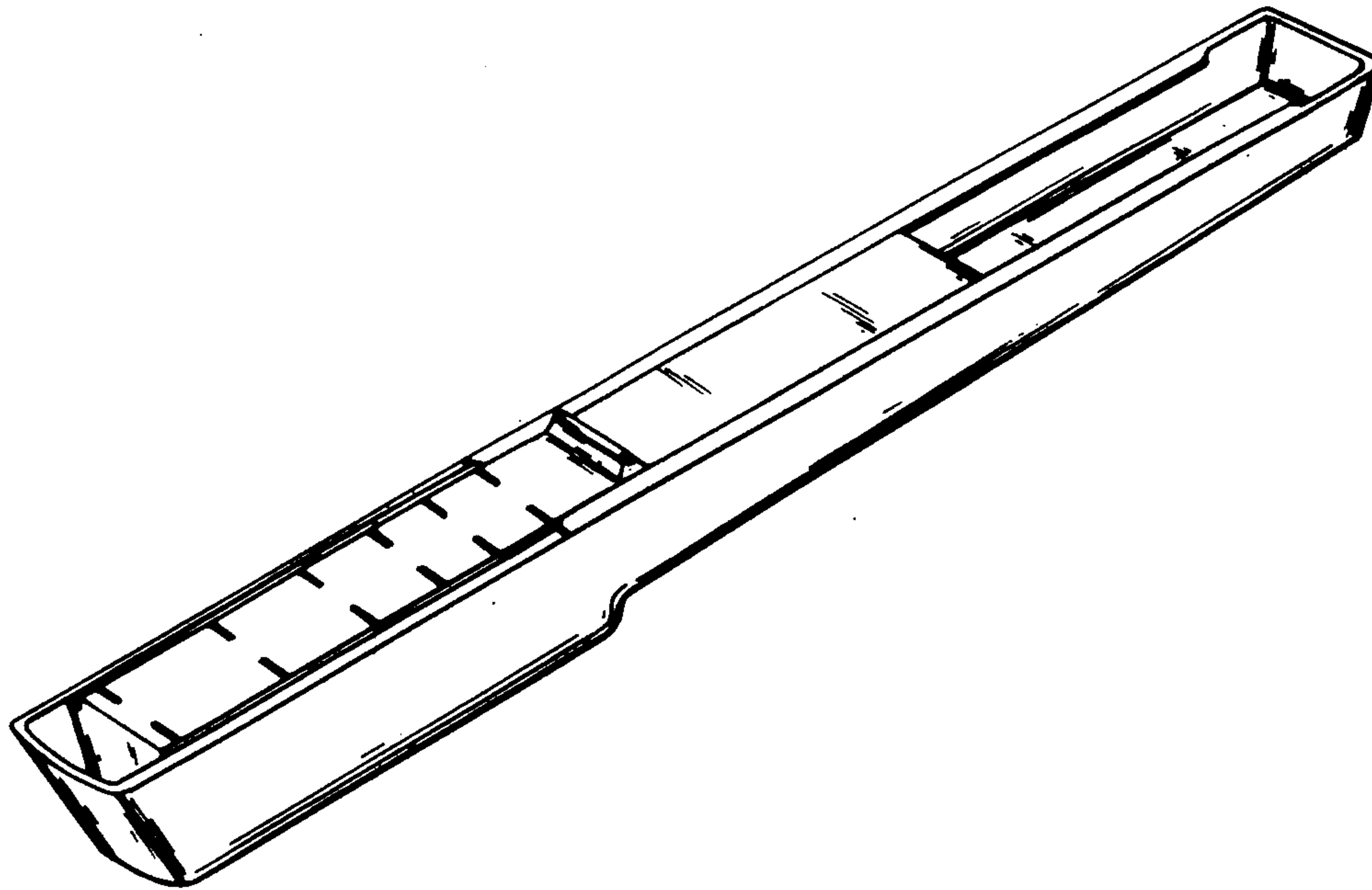
FIG. 1 is a front perspective view of an adjustable fertilizer applicator for house plants, with the adjustable slide in its most forward position, showing my new design;

FIG. 2 is a top plan view thereof with the adjustable slide in its most rearward position;

FIG. 3 is a bottom plan view thereof;

FIG. 4 is a front elevation thereof; and

FIG. 5 is a rear elevation thereof.



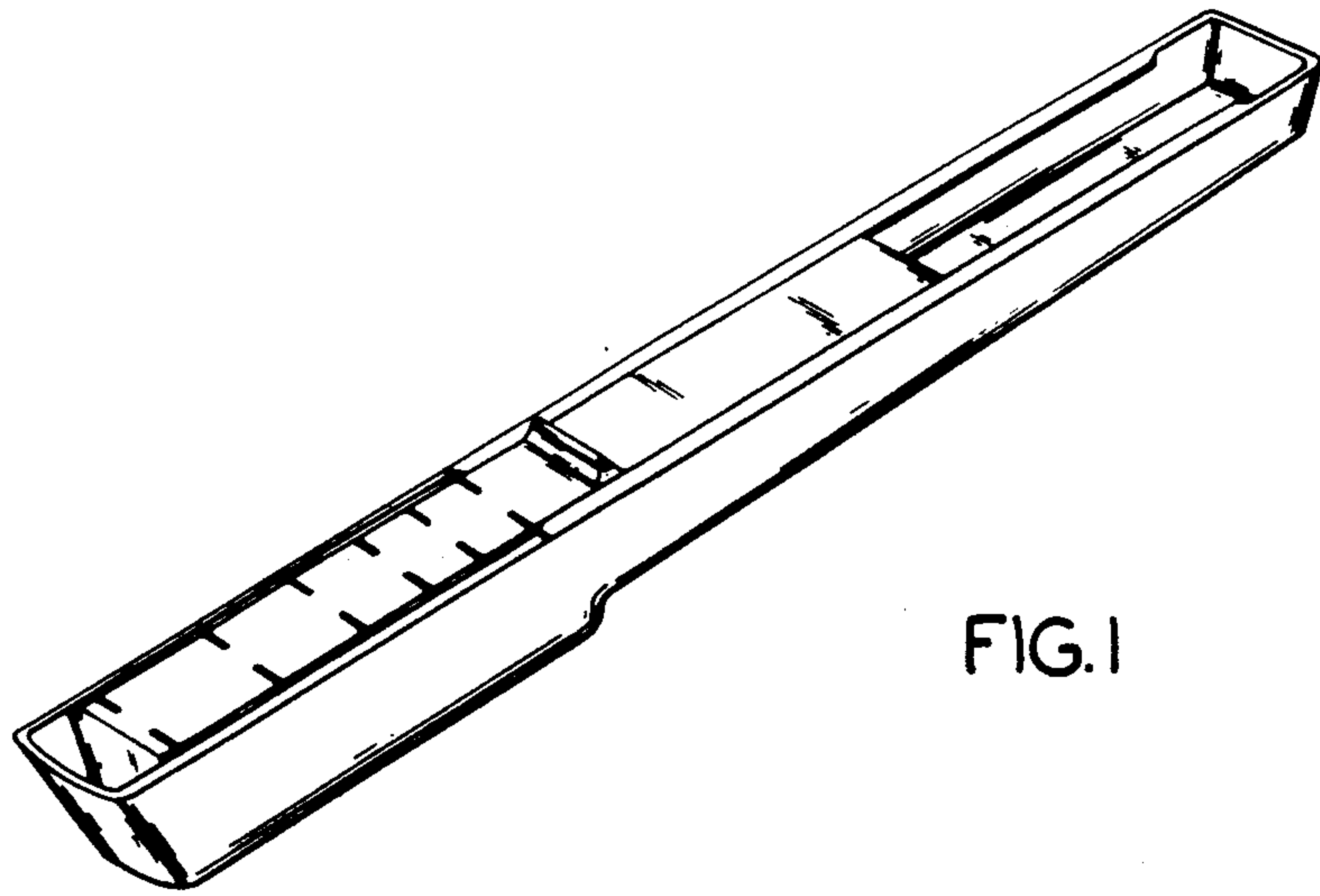


FIG. 1

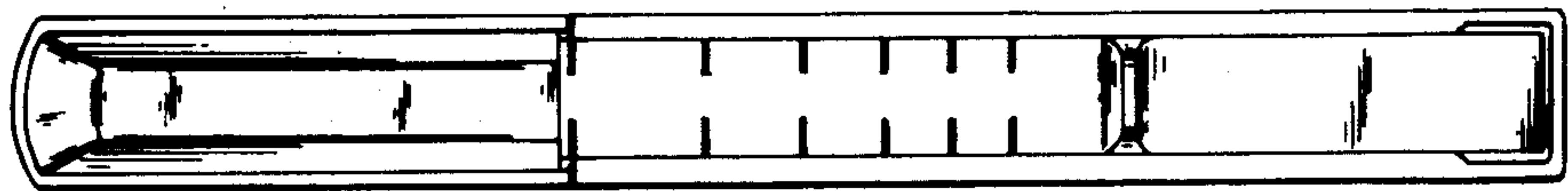


FIG. 2

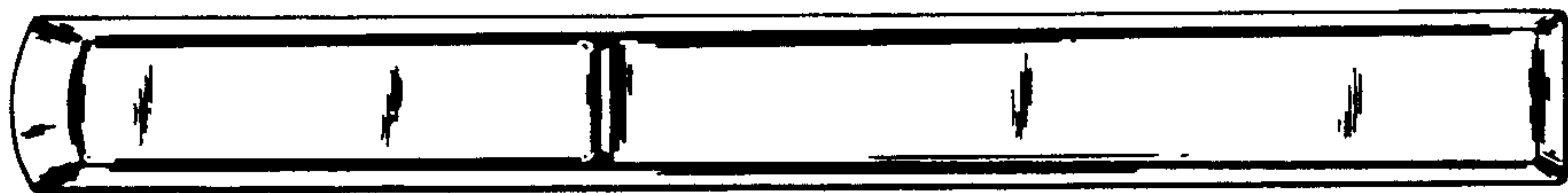


FIG. 3

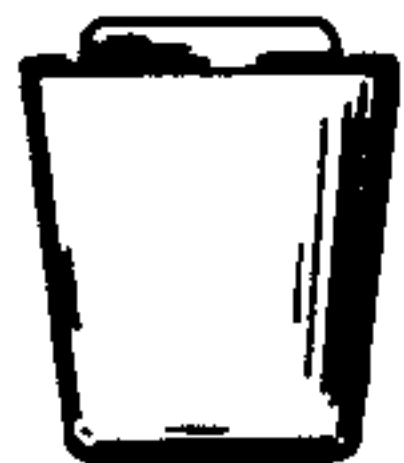


FIG. 4



FIG. 5