

[54] TENSIONING CONNECTOR ELEMENT FOR FURNITURE PIECES OR THE LIKE

[76] Inventor: Ruben Hägglund, 570 70 Högsby, Sweden

[**] Term: 14 Years

[21] Appl. No.: 833,614

[22] Filed: Sep. 15, 1977

[30] Foreign Application Priority Data

Mar. 25, 1977 [SE] Sweden 770685

[51] Int. Cl. D6-06

[52] U.S. Cl. D6/191

[58] Field of Search D6/191, 193, 194, 195, D6/198, 85; 403/217, 171, 172, 176, 231; 248/188

[56] References Cited

U.S. PATENT DOCUMENTS

D. 239,889 5/1976 O'Halloran D6/191

2,823,003	2/1958	Puggard	248/186
3,485,519	12/1969	Chiu	403/172
4,066,370	1/1978	Driessche	403/217
4,128,222	12/1978	Wiczer	403/217 X

OTHER PUBLICATIONS

Design, 7-1976, p. 49, Joint Bracket, lower left by Nexus.

Primary Examiner—Bruce W. Dunkins

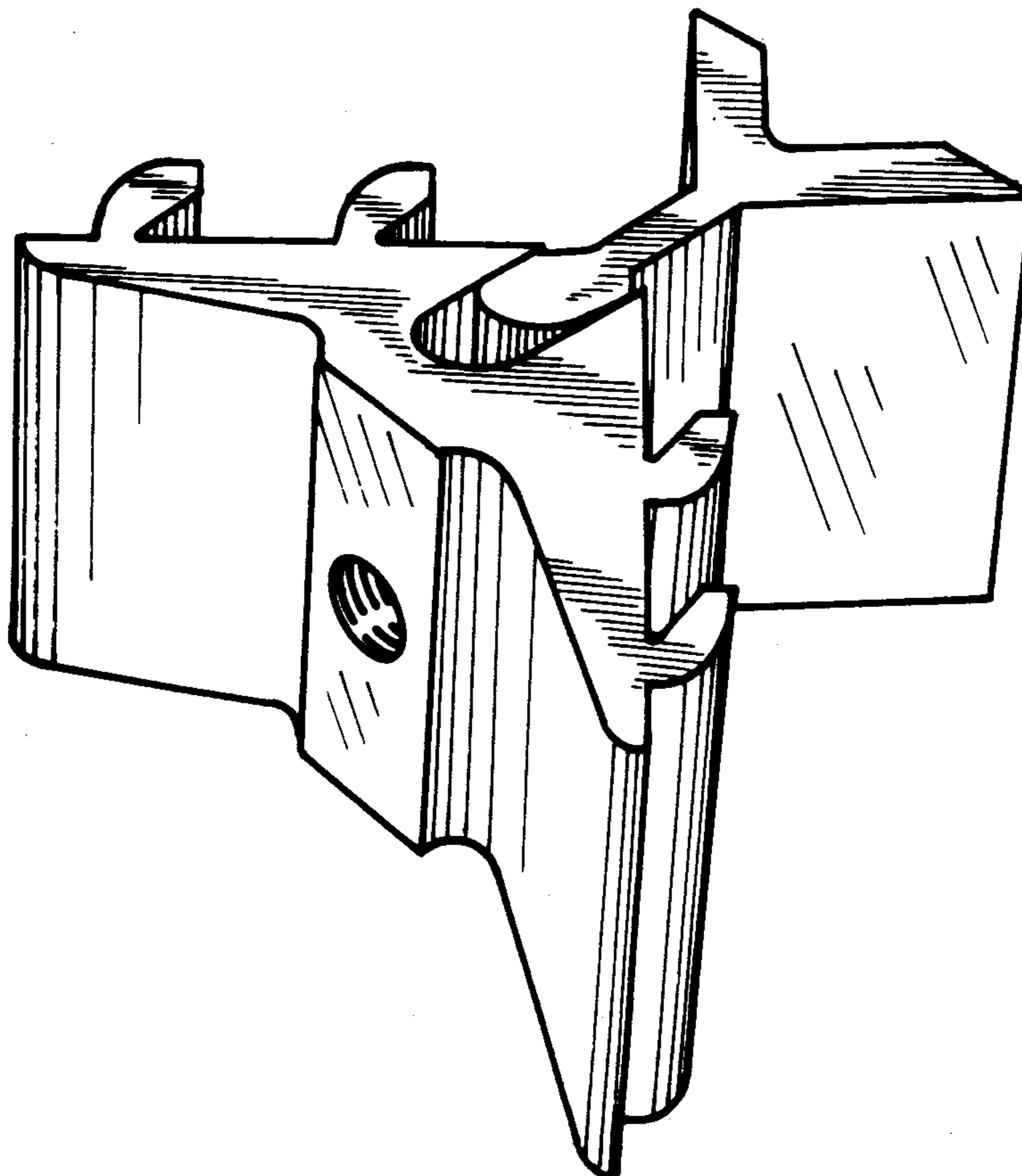
Attorney, Agent, or Firm—Richard C. Sughrue

[57] CLAIM

The ornamental design for a tensioning connector element for furniture pieces or the like, as shown.

DESCRIPTION

FIG. 1 is a horizontal view of a tensioning connector element according to the invention, FIG. 2 is a perspective view of the tensioning connector element, on an enlarged scale, and FIG. 3 is another perspective view of the tensioning connector element, also on an enlarged scale.



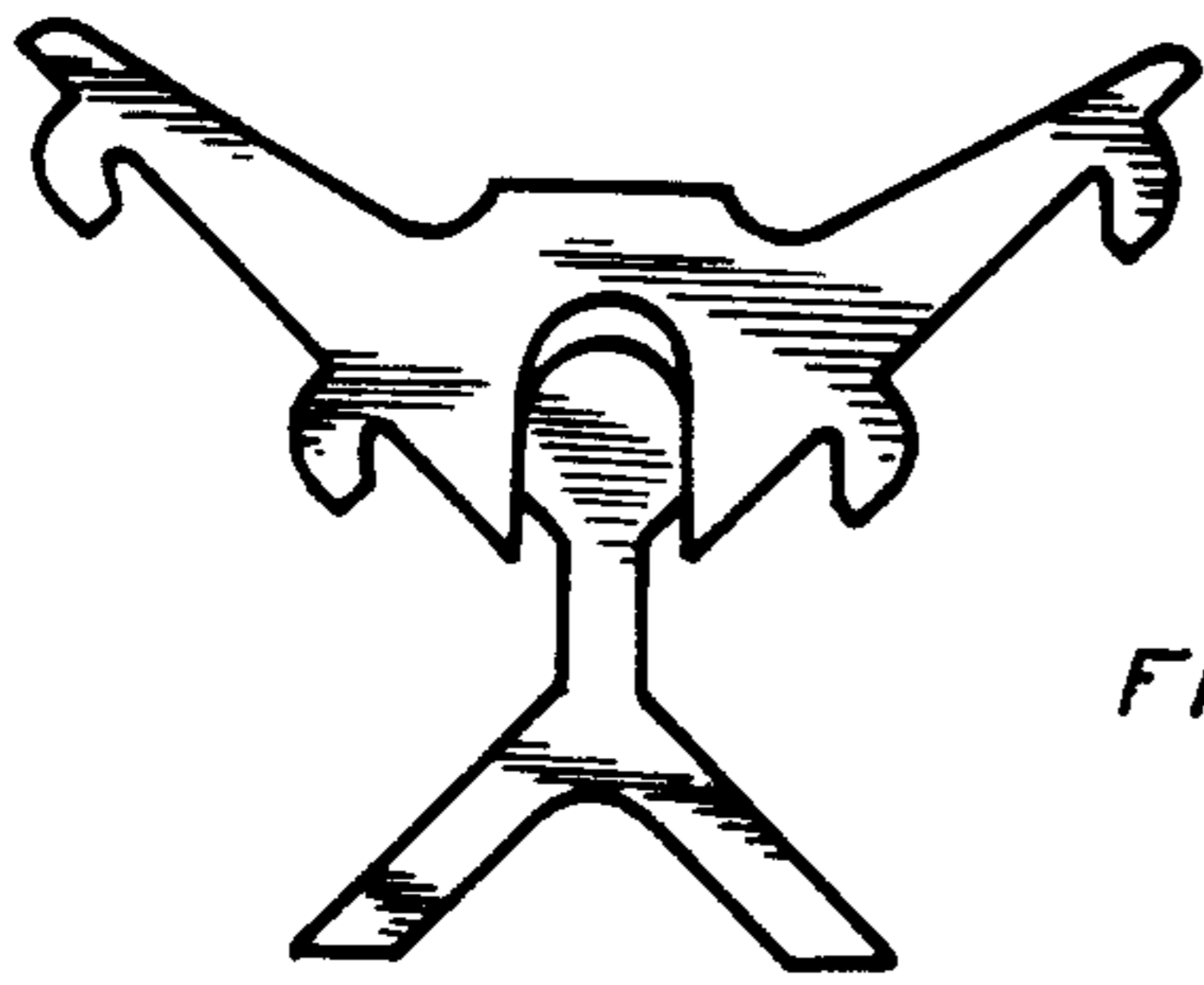


FIG. 1

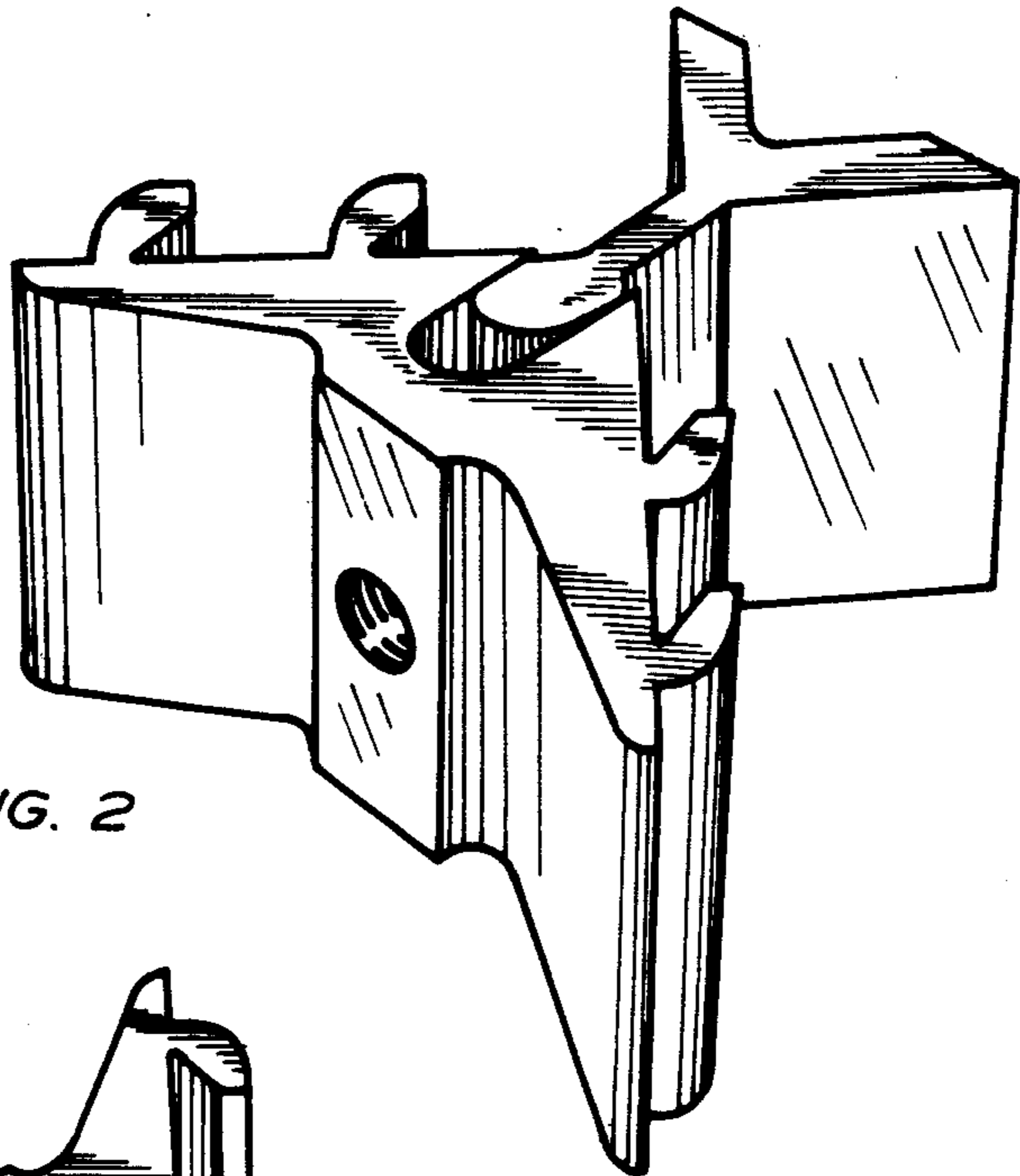


FIG. 2

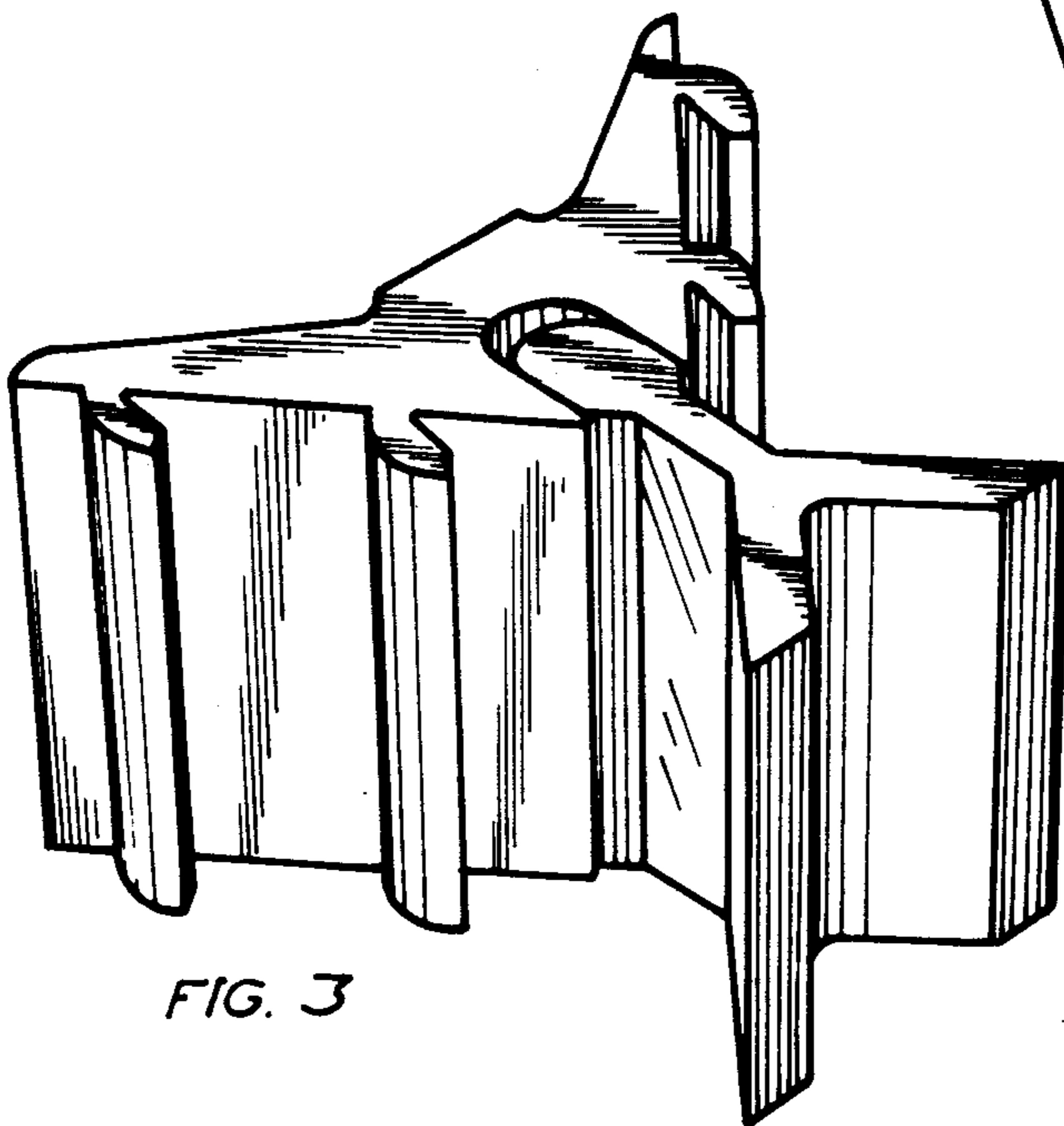


FIG. 3