

[54] MULTIPLE SEATING UNIT

[75] Inventor: Isao Hosoe, Milan, Italy

[73] Assignee: Sacea S.a.s. di Tirinnanzi, Legnano, Italy

[**] Term: 14 Years

[21] Appl. No.: 827,827

[22] Filed: Aug. 25, 1977

[51] Int. Cl. D6-01

[52] U.S. Cl. D6/59; D6/72

[58] Field of Search D6/26, 30, 31, 45; 46/47-78; 297/232, 233, 234

[56] References Cited

U.S. PATENT DOCUMENTS

D. 220,389 4/1971 Kramer D6/59
3,885,766 5/1975 Bomber et al. D6/59 X

OTHER PUBLICATIONS

Interiors, 2-1974, p. 130, Seating units upper right.
Hater Corp. Cat. Section 4, Modular Seating Unit at top.
Design Cat., 9-1976, p. 38, Chair bottom right.

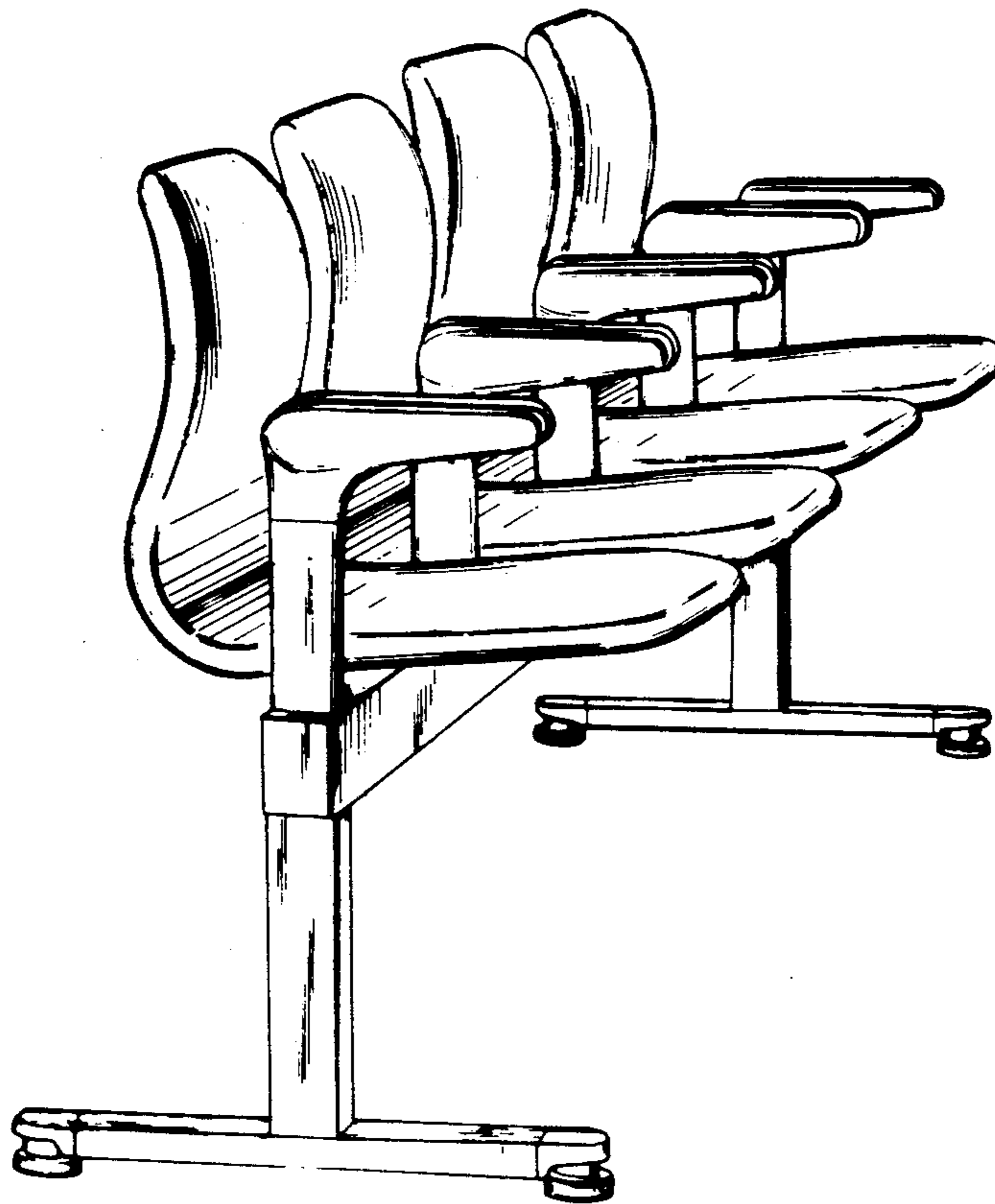
Primary Examiner—Bruce W. Dunkins
Attorney, Agent, or Firm—Robert Osann

[57] CLAIM

The ornamental design for a multiple seating unit, substantially as shown.

DESCRIPTION

FIG. 1 is a top and front perspective view of a multiple seating unit showing my new design;
FIG. 2 is a side perspective view thereof, the opposite side being the same;
FIG. 3 is a rear and bottom perspective view thereof; and
FIG. 4 is a side and front perspective of another embodiment thereof.



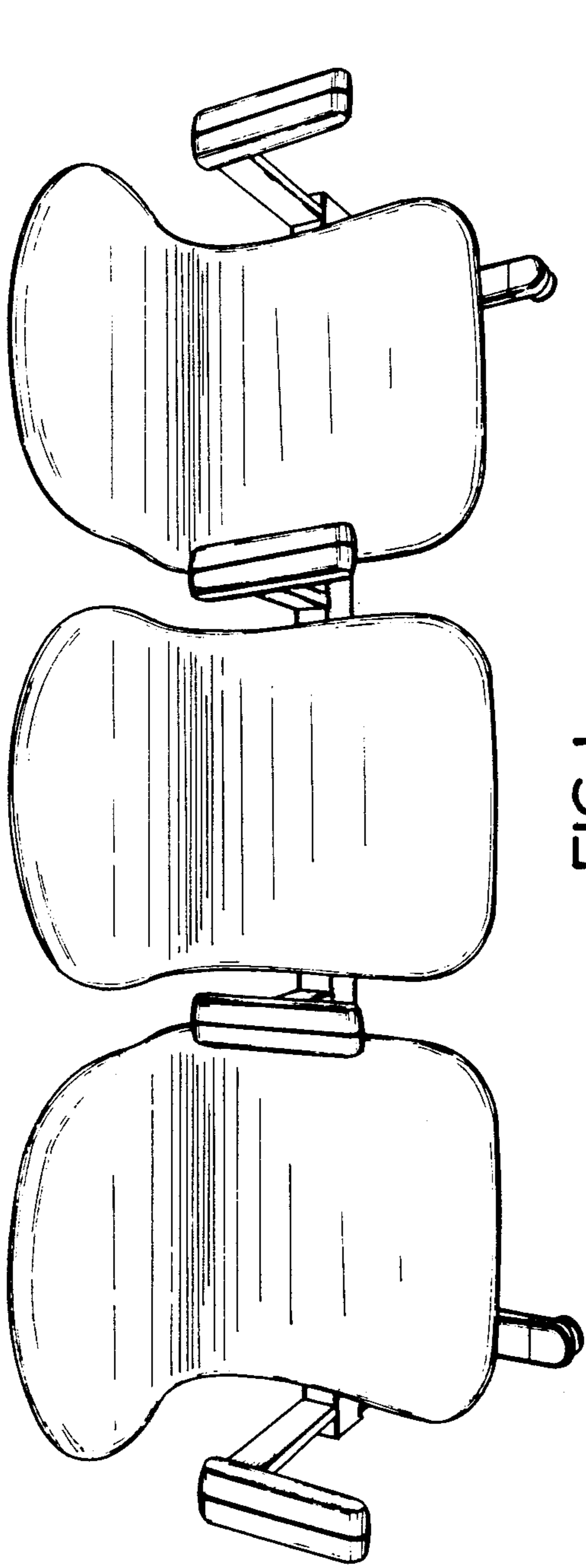


FIG. 1

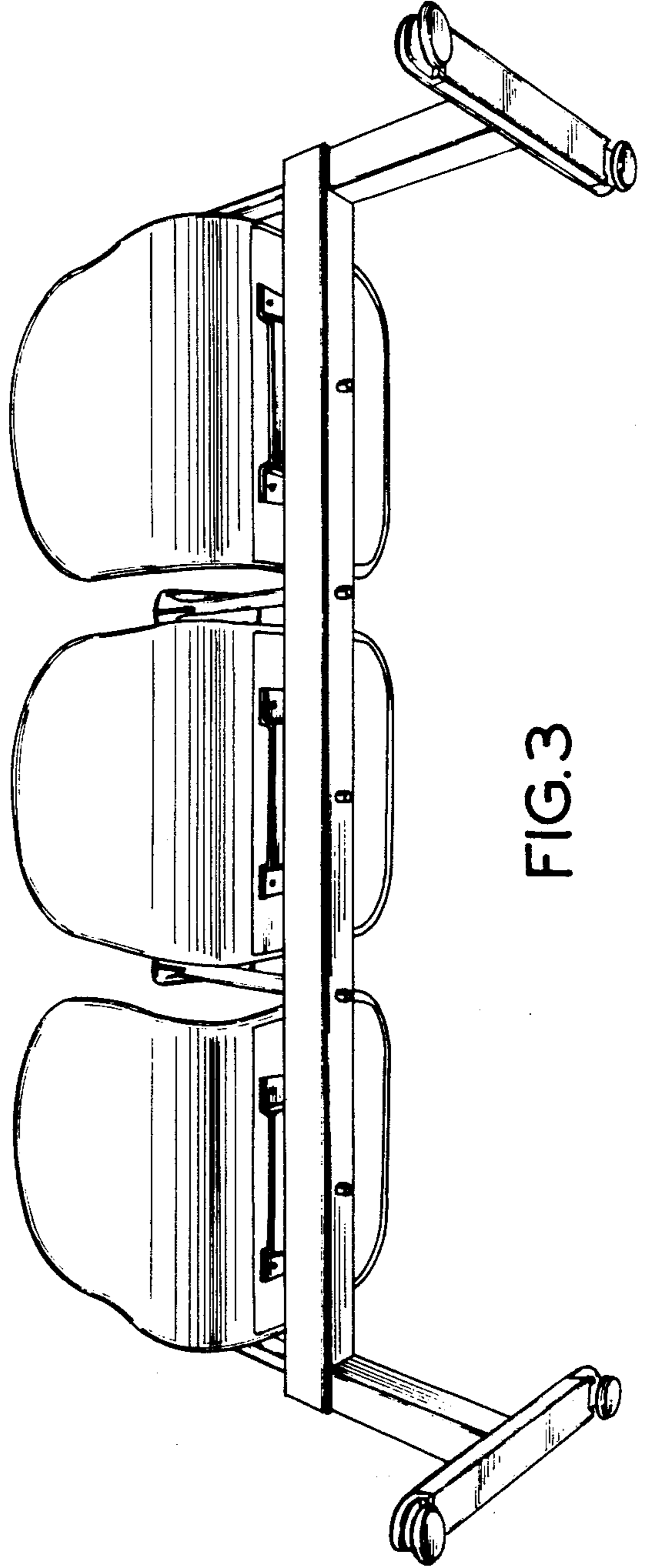


FIG. 3

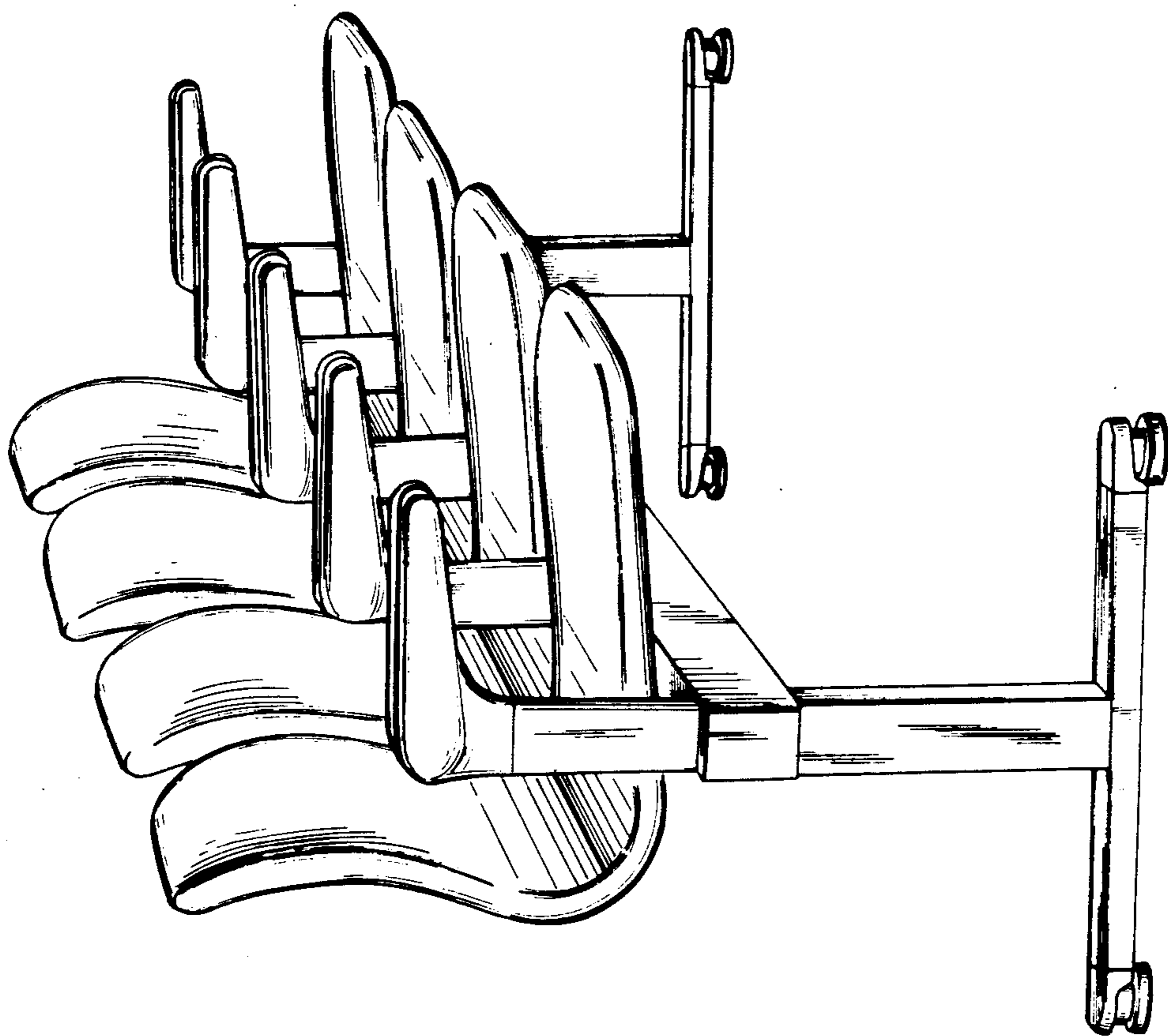


FIG. 4

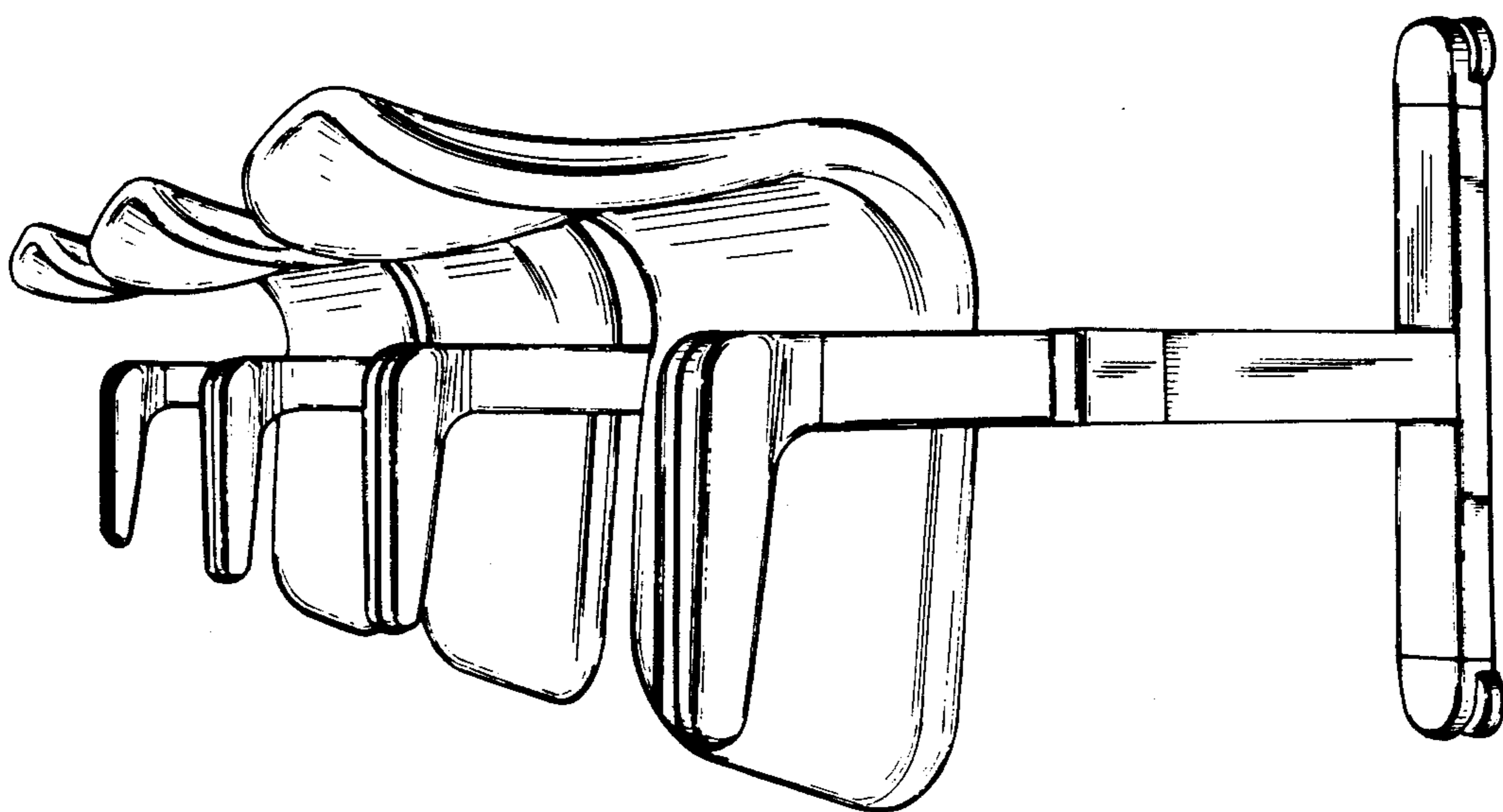


FIG. 2