

[54] TACKLE BOX

[76] Inventor: Lawrence L. Hopf, 4459 Greenland, Mesquite, Tex. 75150

[\*\*] Term: 14 Years

[21] Appl. No.: 819,630

[22] Filed: Jul. 28, 1977

[51] Int. Cl. .... D22-05

[52] U.S. Cl. .... D3/38; D9/231; D3/69

[58] Field of Search ..... D87/1 R, 1 B, 1 C; 206/315; D9/182, 231, 235, 237, 240; 312/DIG. 33; 43/57.5 R; D22/14.27

[56] References Cited

U.S. PATENT DOCUMENTS

D. 221,268 7/1971 Heaton ..... D87/1 R  
2,125,856 8/1938 DeWitt ..... 43/57.5 R

3,197,915 8/1965 Staver ..... 43/57.5 R  
3,461,599 8/1969 Sylvester ..... 43/57.5 R  
3,490,169 1/1970 Tweed ..... D87/1 R

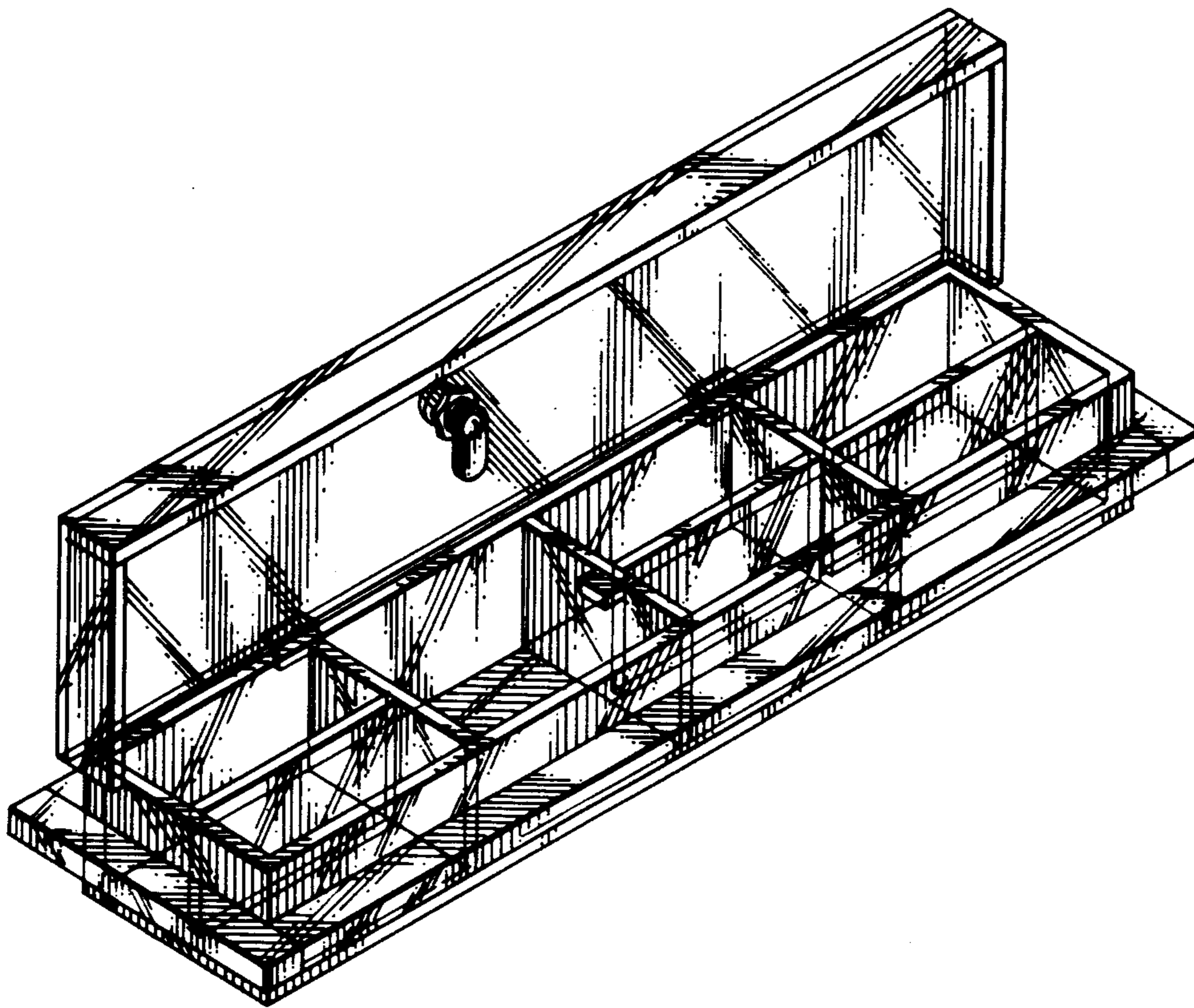
Primary Examiner—Joel Stearman  
Assistant Examiner—George P. Word  
Attorney, Agent, or Firm—E. Mickey Hubbard

[57] CLAIM

The ornamental design for a tackle box, as shown and described.

DESCRIPTION

FIG. 1 is a perspective view of a tackle box showing my new design with the cover in an open position; FIG. 2 is a top plan view thereof; FIG. 3 is a rear elevational view thereof; FIG. 4 is a left side elevational view thereof; FIG. 5 is a right side elevational view thereof; FIG. 6 is a bottom plan view thereof; and FIG. 7 is a front elevational view thereof.



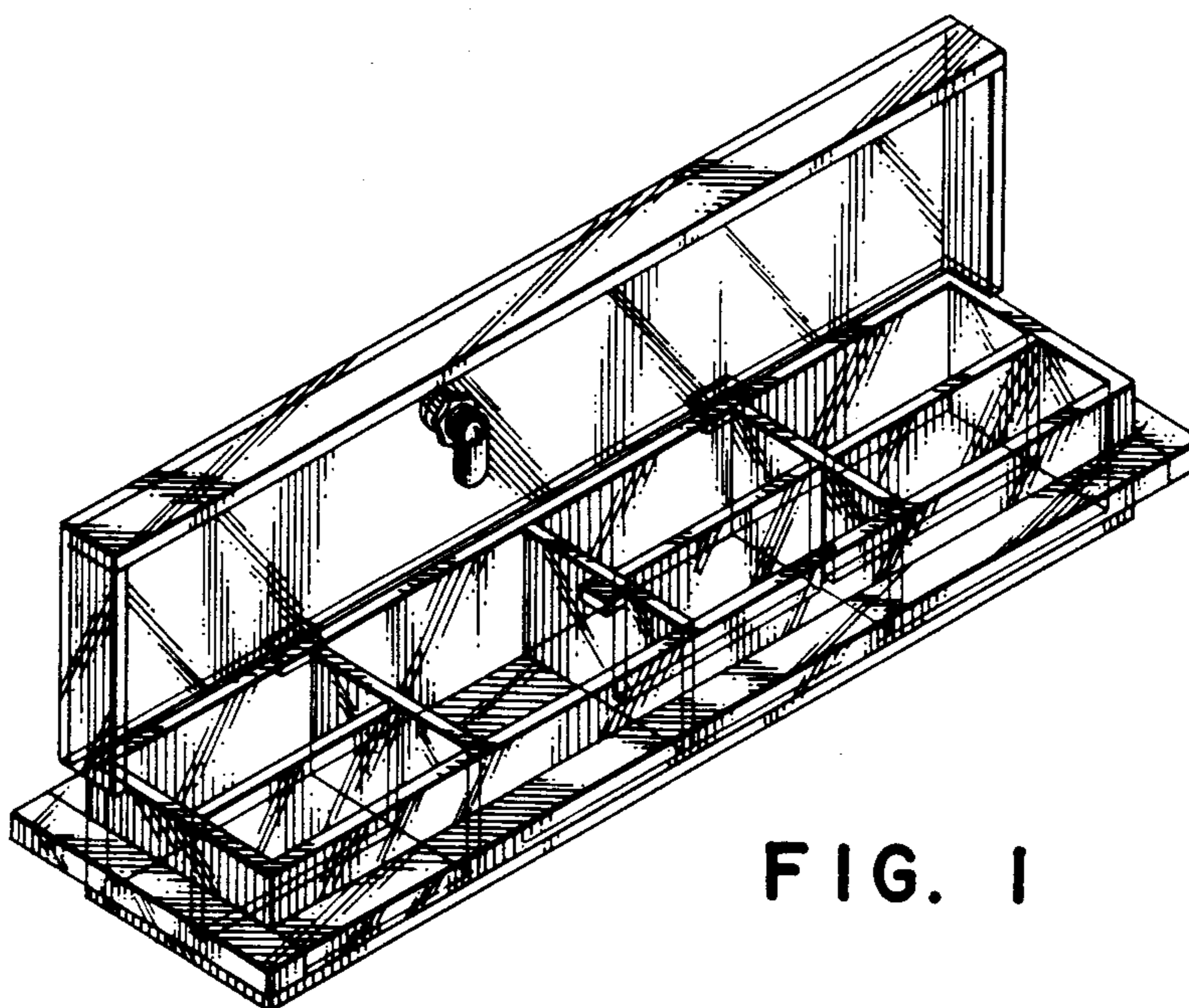


FIG. 1

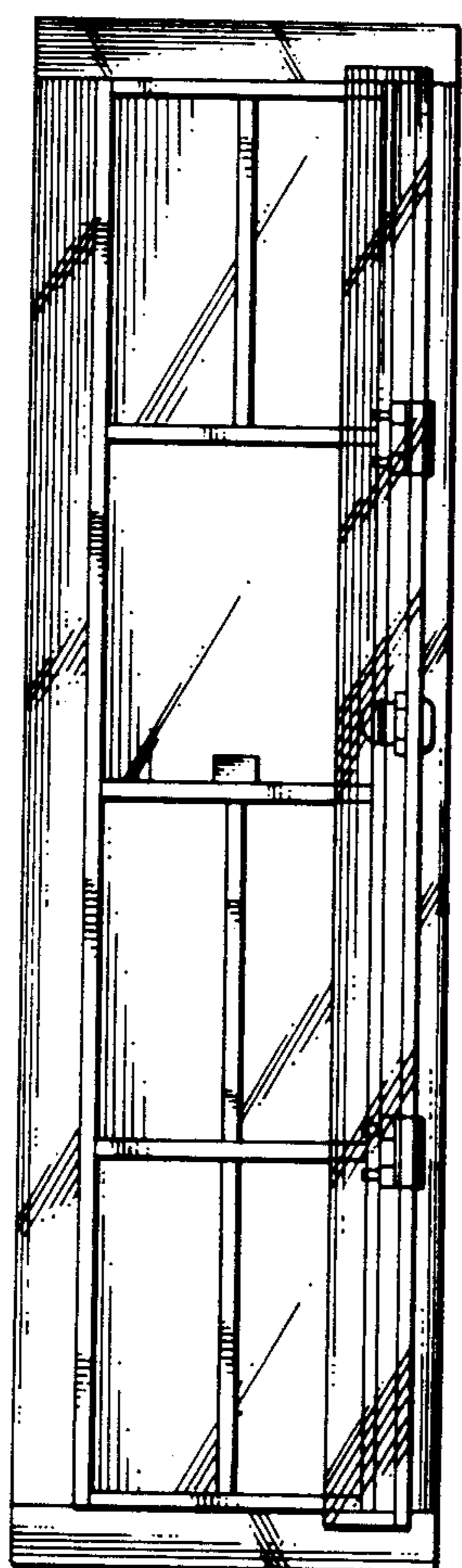


FIG. 2

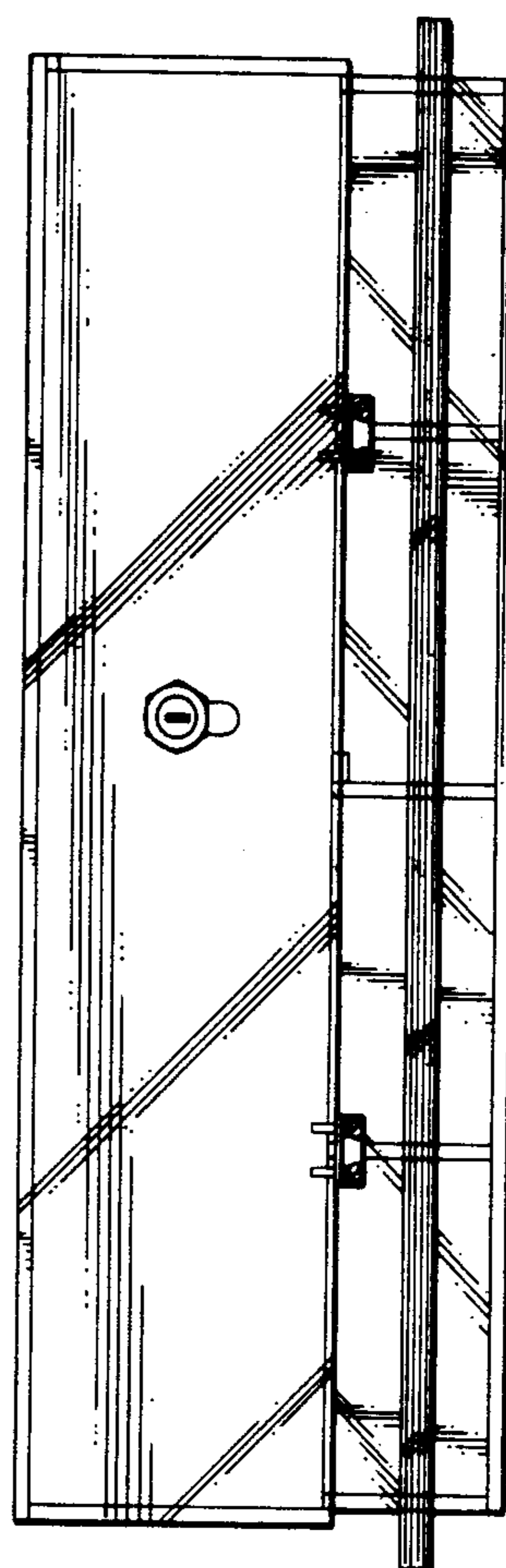


FIG. 3

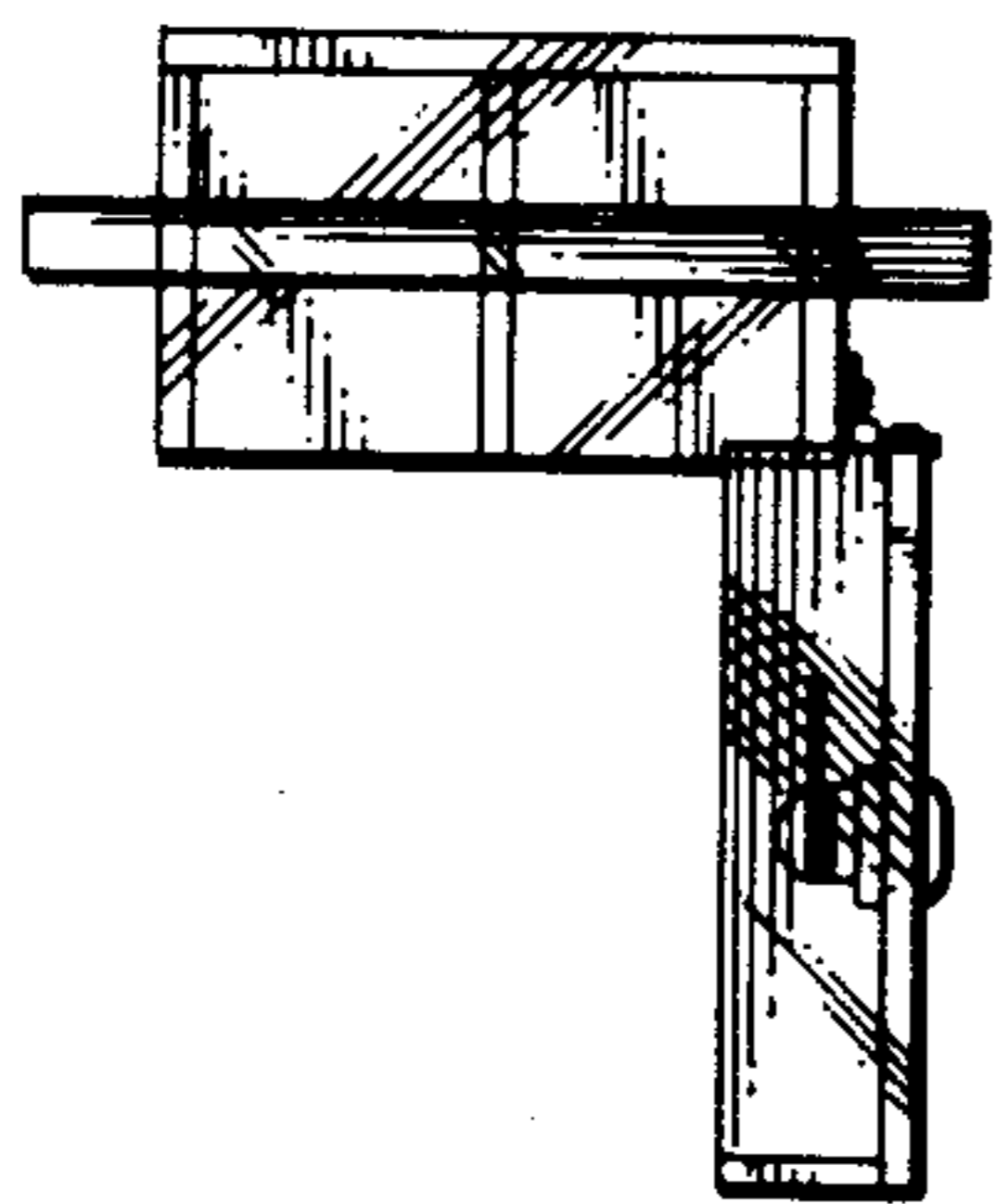


FIG. 4

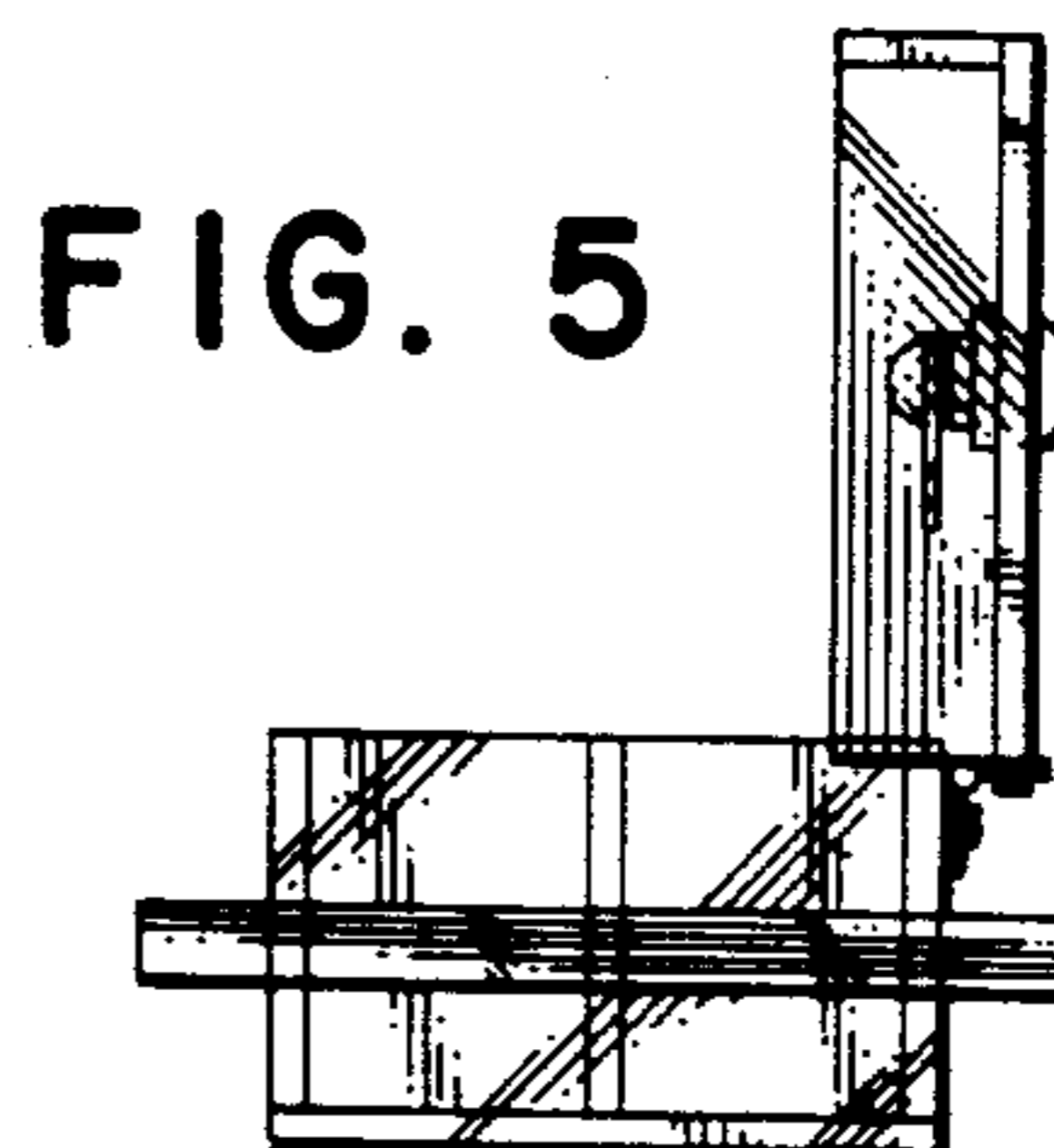


FIG. 5

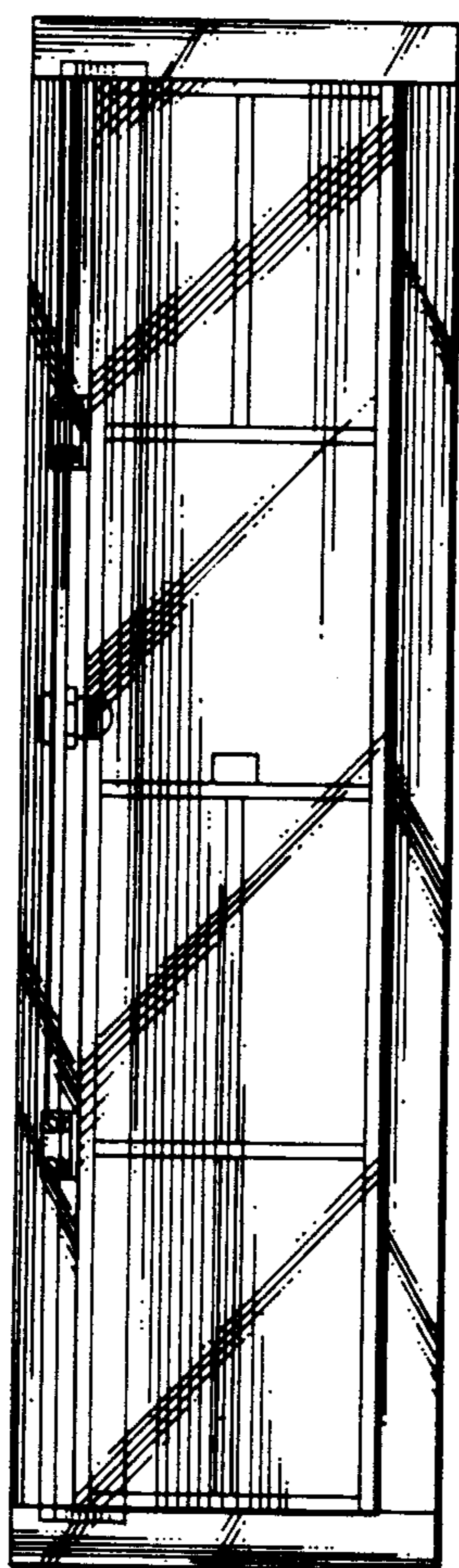


FIG. 6

FIG. 7

