

[54] LIGHTING FIXTURE

[75] Inventor: Michael Gerber, Beverly Hills, Calif.

[73] Assignee: Trakliting, Inc., Industry, Calif.

[**] Term: 14 Years

[21] Appl. No.: 820,805

[22] Filed: Aug. 1, 1977

[51] Int. Cl. D26-05
[52] U.S. Cl. D48/23 R; D48/20 K
[58] Field of Search D48/23 R, 20 K, 20 E,
D48/20 R, 20 A; 362/362, 382, 396, 413, 414,
418, 419, 421, 427, 428, 410, 411, 277, 282, 285,
287, 341

[56]

References Cited

U.S. PATENT DOCUMENTS

D. 234,710 4/1975 Beeren D48/20 K
3,798,438 3/1974 Menchetti 362/282

OTHER PUBLICATIONS

Design, 7-1973, p. 34, Lamp.
Form, IV-1976, p. 49, Ceiling Lamp.
Interiors, 2-1973, p. 101, Lamp #10.

Primary Examiner—Susan J. Lucas
Attorney, Agent, or Firm—Marvin H. Kleinberg

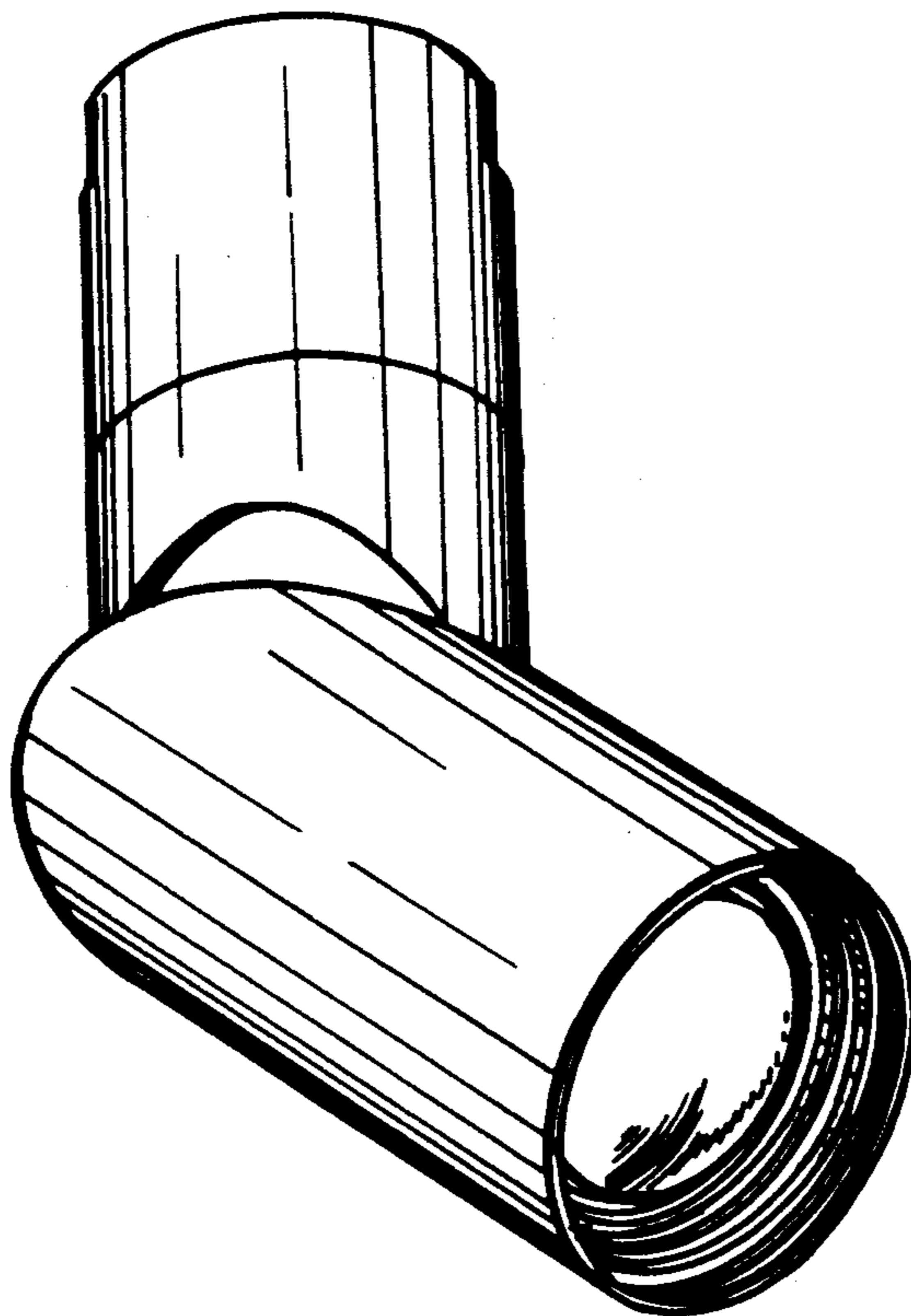
[57]

CLAIM

The ornamental design for a lighting fixture, as shown and described.

DESCRIPTION

FIG. 1 is a perspective view of a lighting fixture showing my new design;
FIG. 2 is an opposite side perspective view thereof;
FIG. 3 is a perspective view of the lighting fixture in an alternate position.



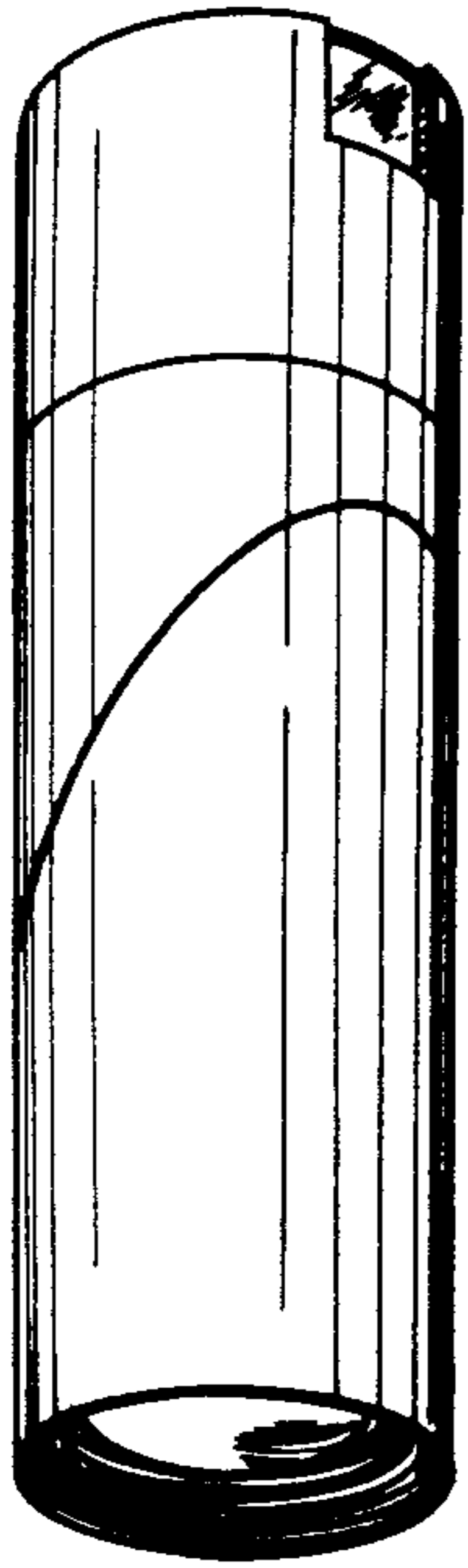


Fig. 1

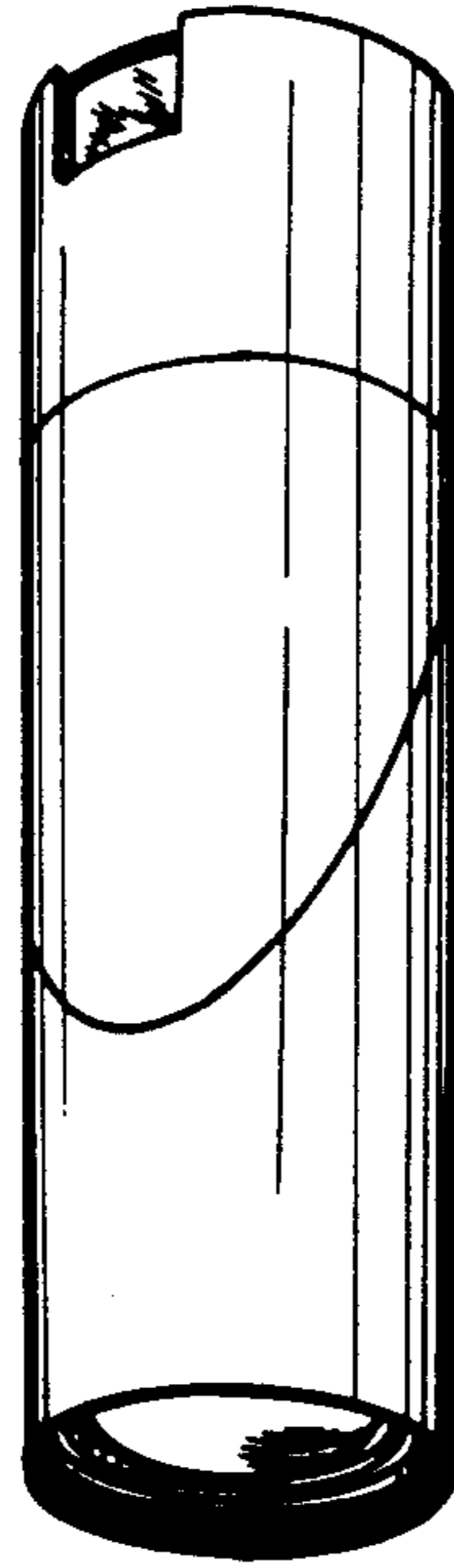


Fig. 2

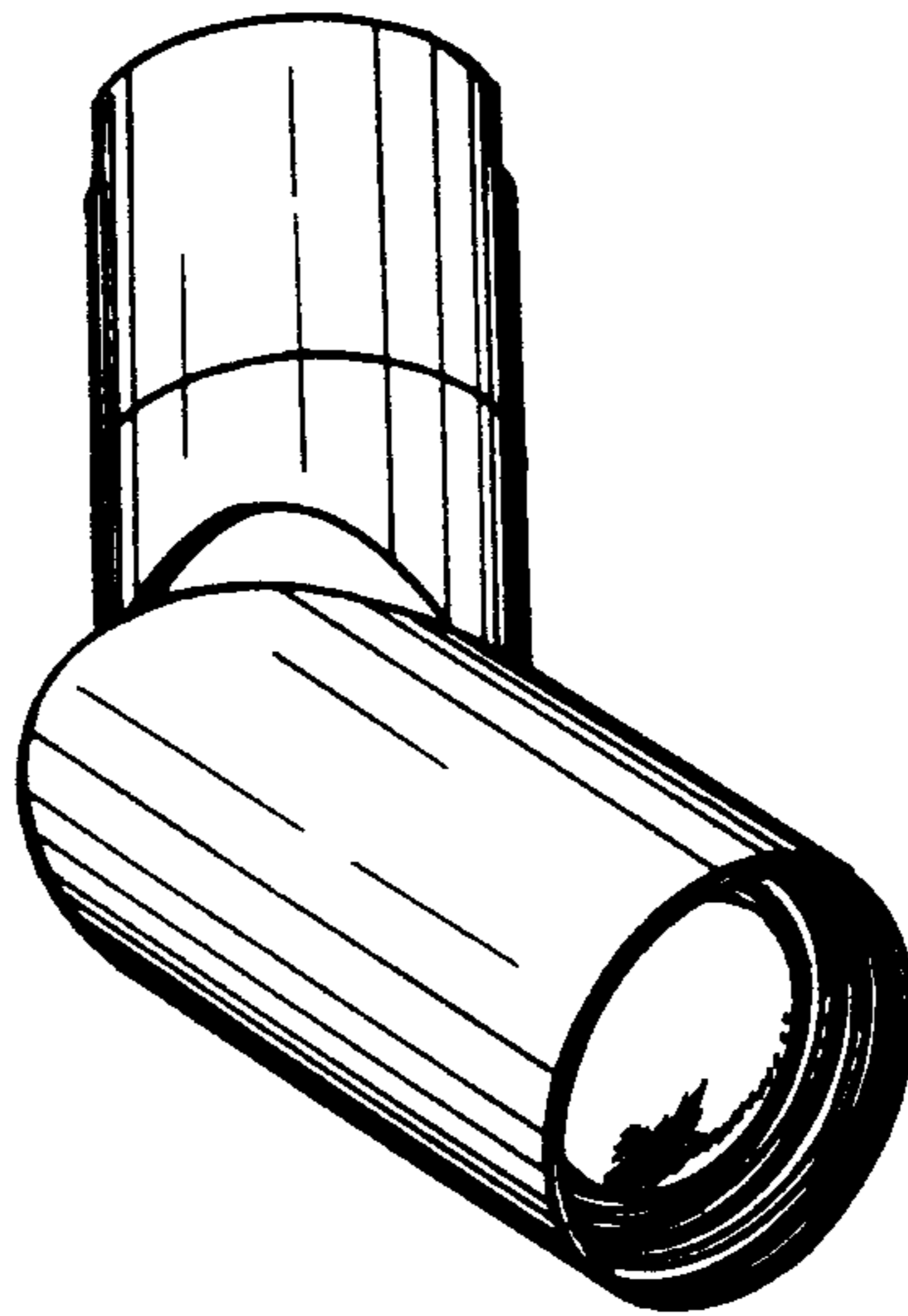


Fig. 3