

[54] NAIL FILE HOLDER OR SIMILAR ARTICLE

[76] Inventor: Paul A. Sperry, 90 Gilnock Dr., New Haven, Conn. 06515

[**] Term: 7 Years

[21] Appl. No.: 818,541

[22] Filed: Jul. 25, 1977

[51] Int. Cl. D28-03

[52] U.S. Cl. D28/59

[58] Field of Search D4/19; D24/23, 36, 41; D28/56, 57, 59, 62, 73, 74; D8/94; 132/73, 73.5, 75, 75.6, 76.2, 76.4, 76.5

[56] References Cited

U.S. PATENT DOCUMENTS

D. 32,665 5/1900 Stevens D24/36
1,517,809 12/1924 Tipton 132/75

FOREIGN PATENT DOCUMENTS

426083 6/1911 France 132/76.4
865060 4/1961 United Kingdom 132/76.4

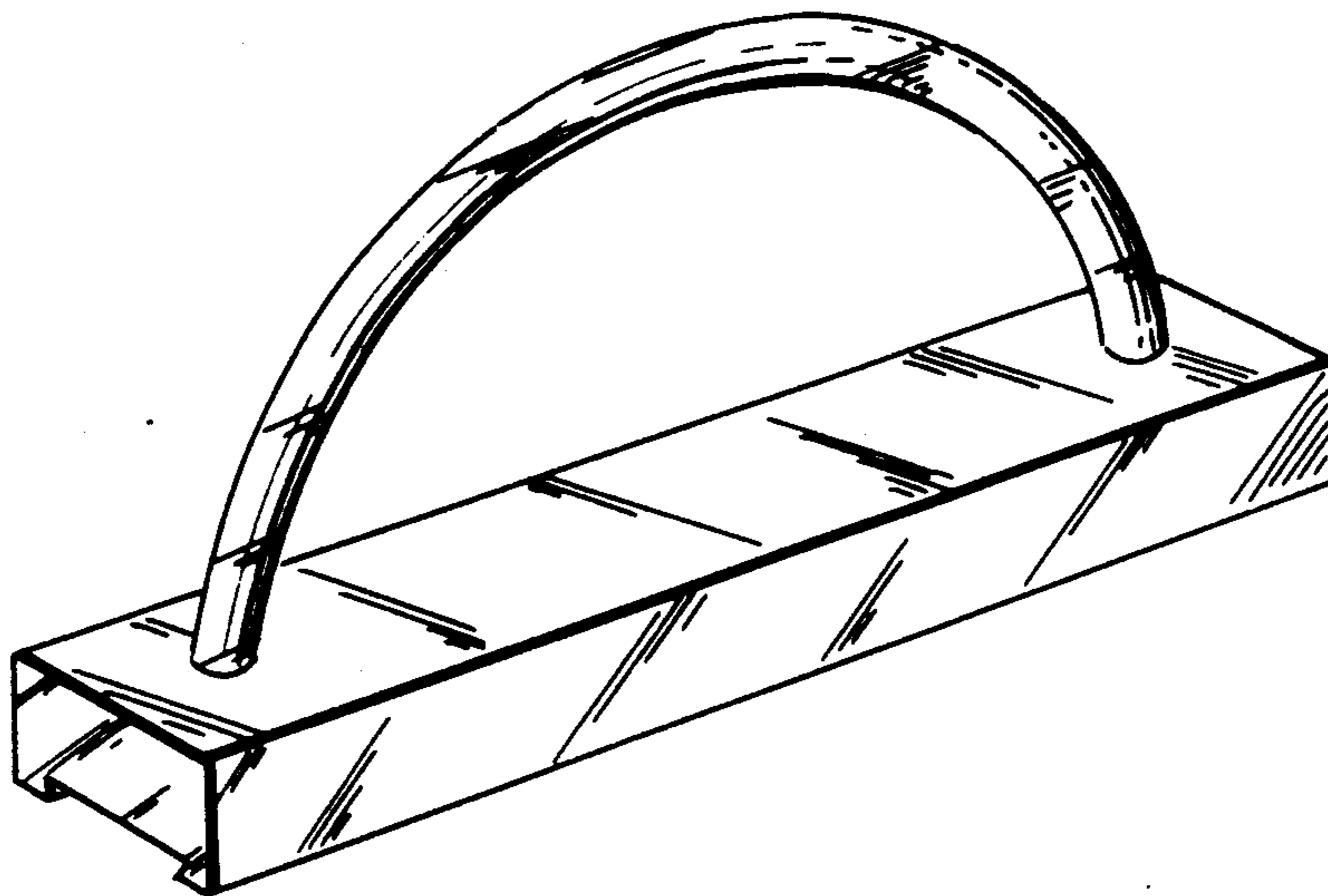
Primary Examiner—Louis S. Zarfes
Attorney, Agent, or Firm—Merrill F. Steward

[57] CLAIM

The ornamental design for a nail file holder or similar article, substantially as shown.

DESCRIPTION

FIG. 1 is a perspective view of a nail file holder or similar article showing my new design;
FIG. 2 is a top plan view thereof;
FIG. 3 is an elevational view of the left end thereof;
FIG. 4 is a side elevational view thereof;
FIG. 5 is an elevational view of the right end thereof;
FIG. 6 is a bottom plan view thereof.



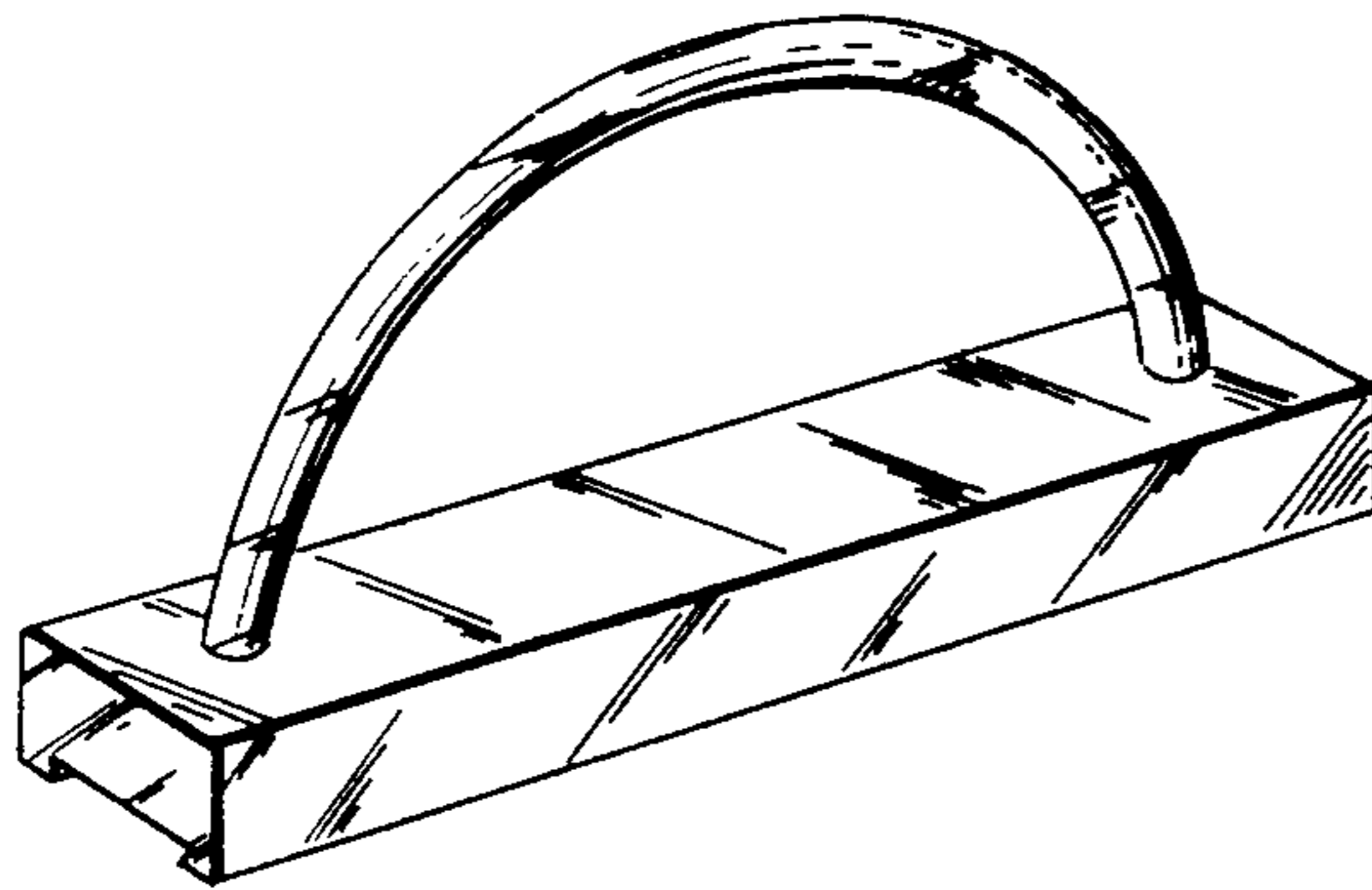


Fig. 1.

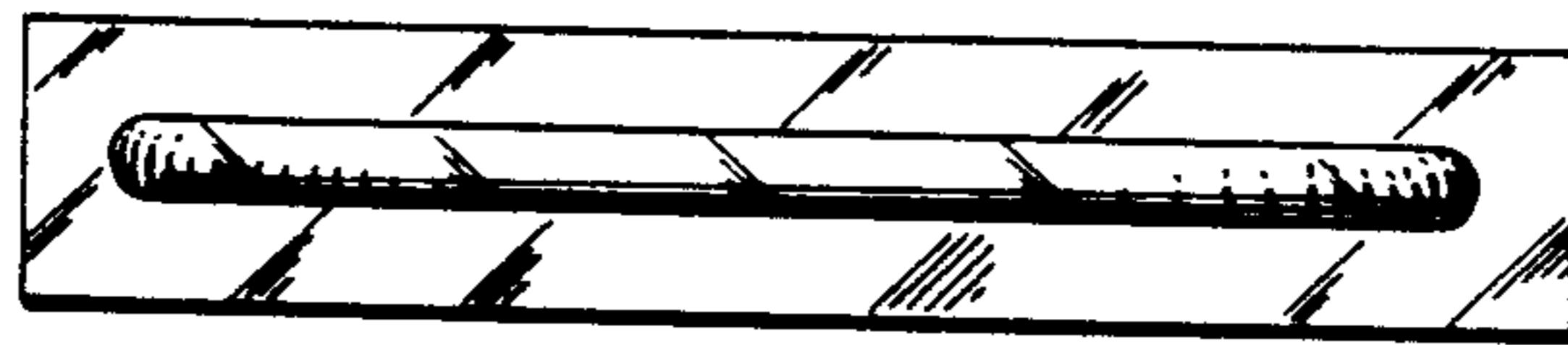


Fig. 2.

Fig. 3.

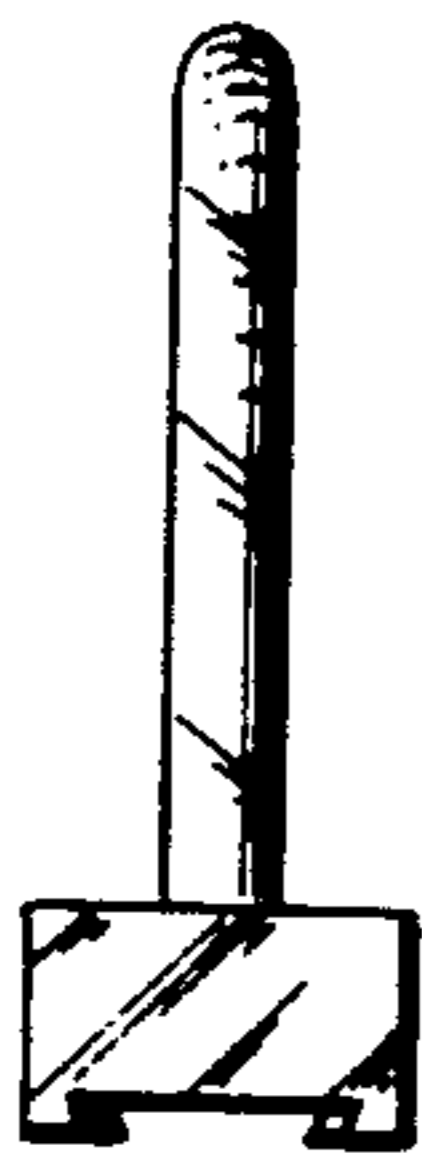


Fig. 4.

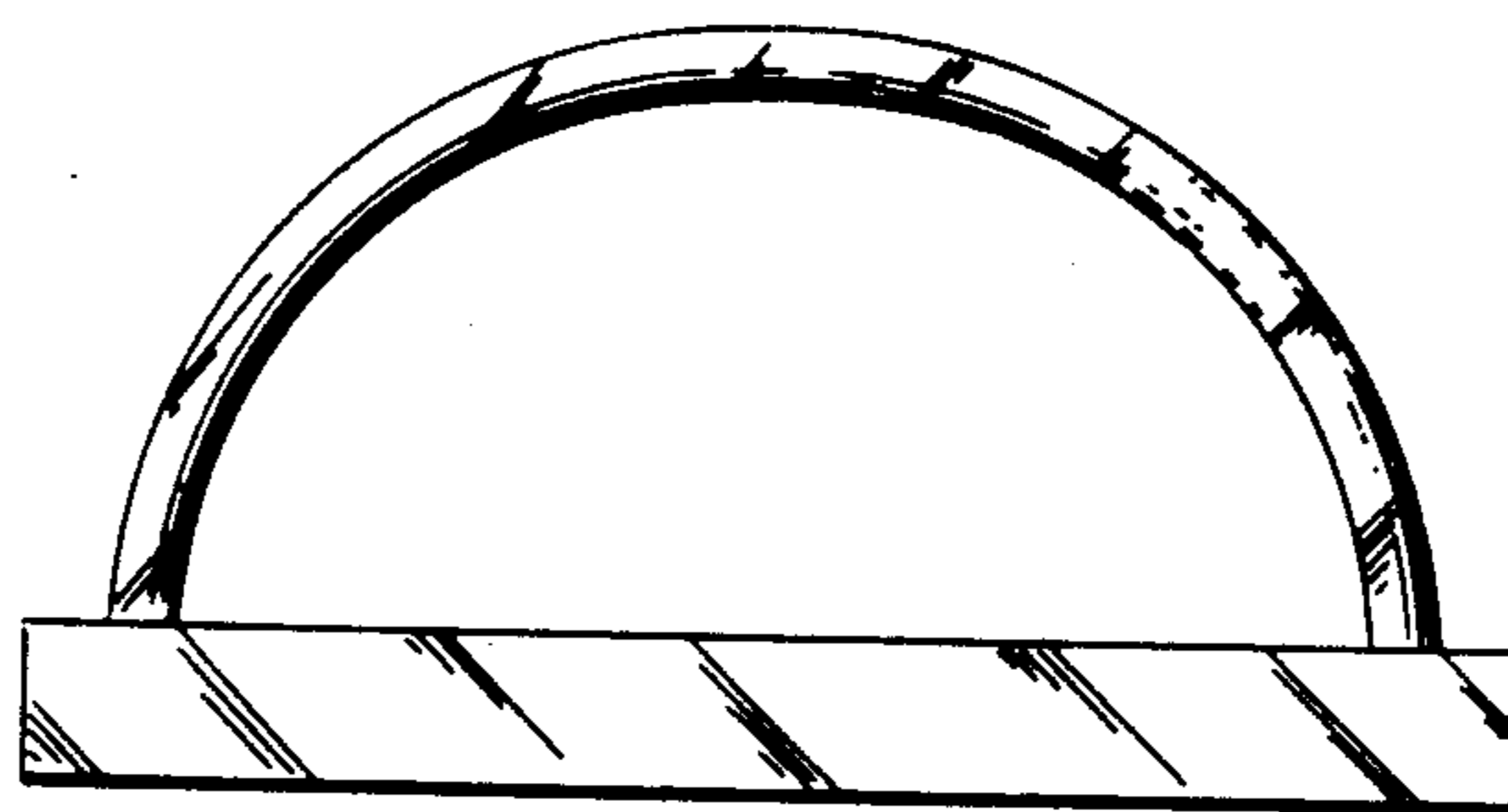


Fig. 5.

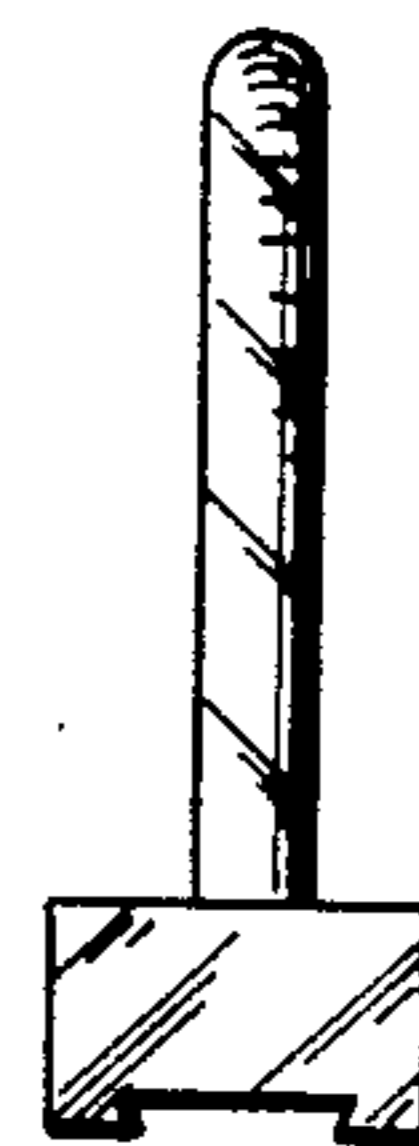


Fig. 6.

