

[54] COMBINED SPRAY ATOMIZER AND COMB

[75] Inventor: William E. Haselrig, Ontario, Calif.

[73] Assignee: Transwestern Sales, Inc., Los Angeles, Calif.

[**] Term: 14 Years

[21] Appl. No.: 864,643

[22] Filed: Dec. 27, 1977

[51] Int. Cl. D28-03

[52] U.S. Cl. D28/25; D28/31

[58] Field of Search D28/21, 25, 30, 31, D28/34; D9/2, 3, 10, 12; 132/11 R, 112-116, 147, 148, 150, 152

[56] References Cited

U.S. PATENT DOCUMENTS

D. 184,870 4/1959 Heinrich D28/24 X

1,362,780	12/1920	Chapman	132/112
1,858,790	5/1932	Schneider	132/150 X
2,299,296	10/1942	Battle	132/112 X
2,854,987	10/1958	Anthony	132/150
3,646,945	3/1972	Romani	132/11 R

Primary Examiner—Louis S. Zarfes
Attorney, Agent, or Firm—Boniard I. Brown

[57] CLAIM

The ornamental design for a combined spray atomizer and comb, as shown and described.

DESCRIPTION

FIG. 1 is a perspective view of a combined spray atomizer and comb, showing my new design; FIG. 2 is a left side elevation view thereof; FIG. 3 is a bottom plan view thereof; FIG. 4 is a rear elevational view thereof; and FIG. 5 is a perspective view of a combined spray atomizer and comb showing a modified form of my new design.

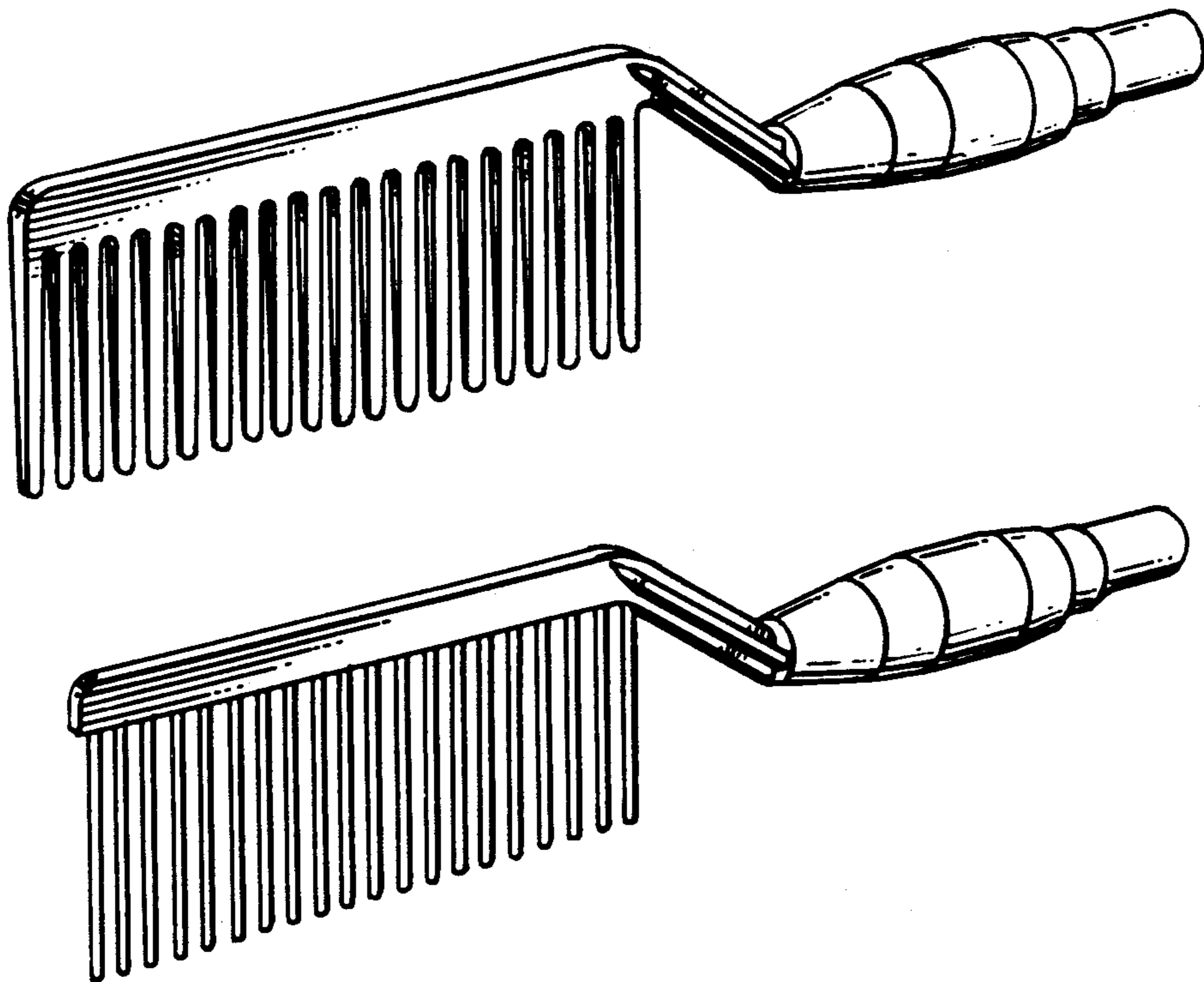


FIG. 1.

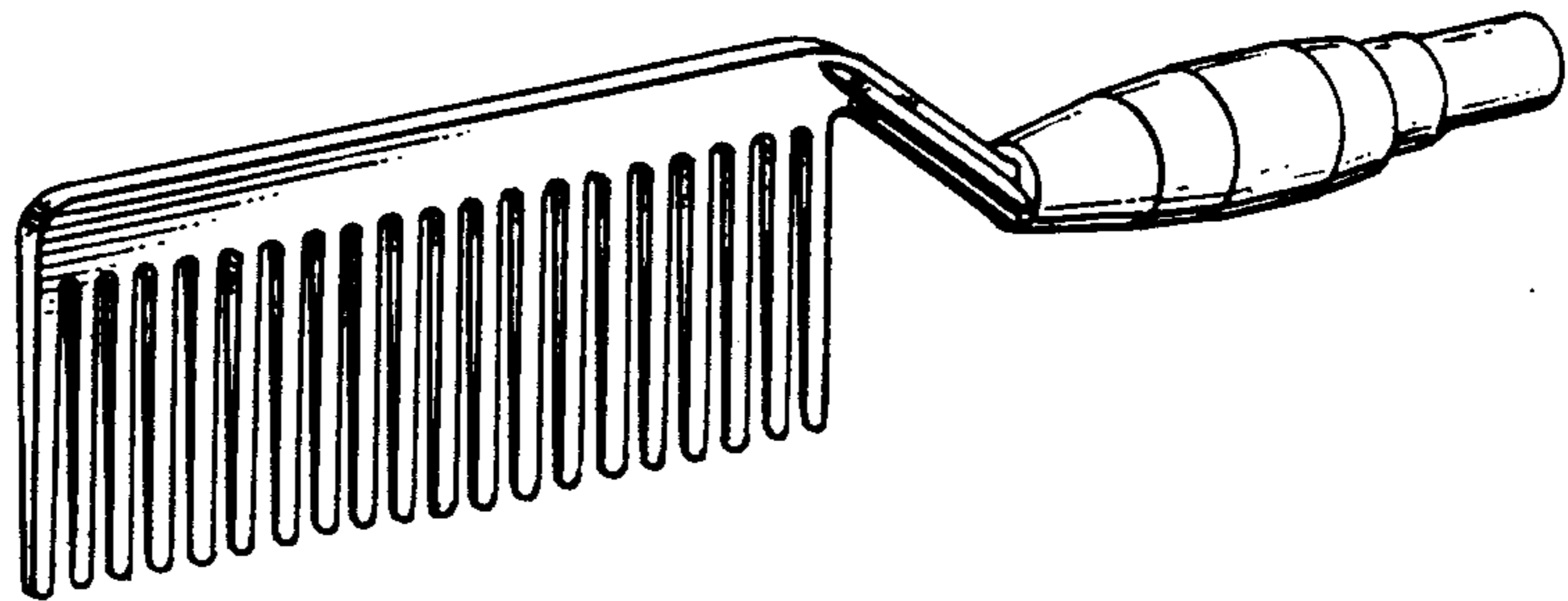


FIG. 2.

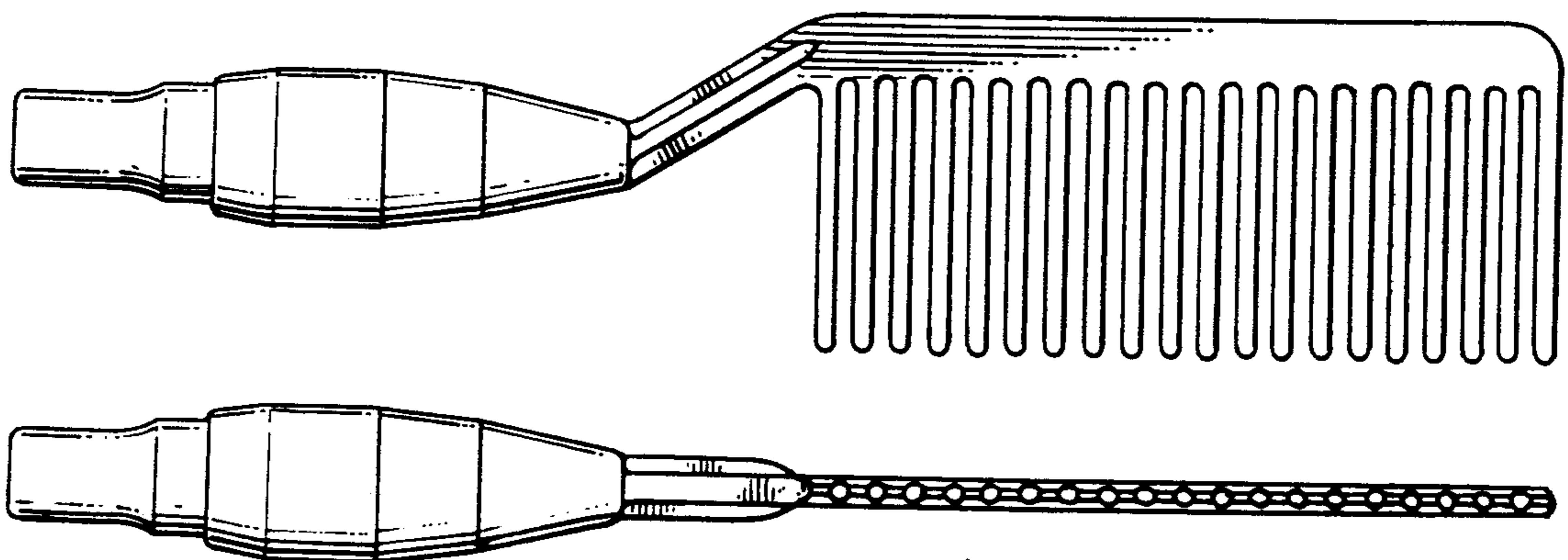


FIG. 3.

FIG. 4.

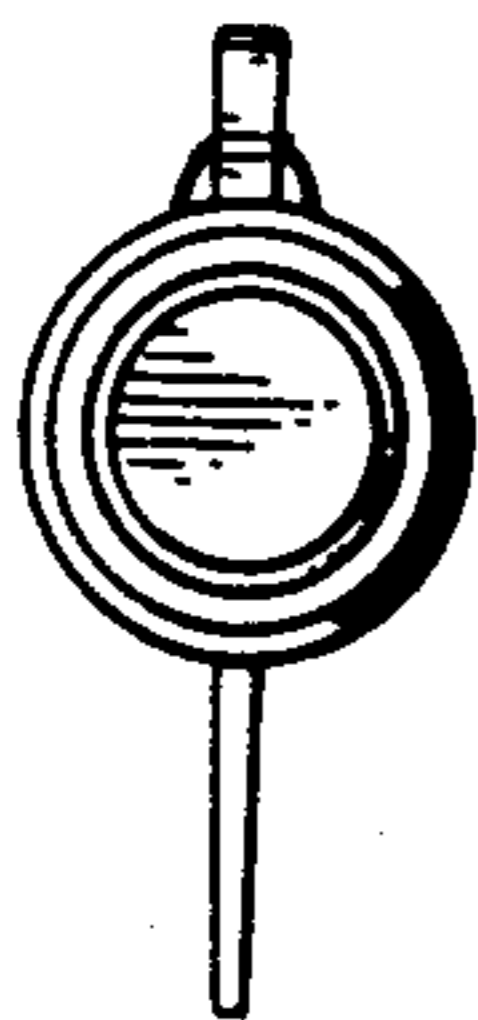


FIG. 5.

