

[54] BY-PASS HUMIDIFIER

[75] Inventor: William B. Morrow, Hillsville, Va.

[73] Assignee: Aqua-Mist, Inc., Winston-Salem, N.C.

[**] Term: 14 Years

[21] Appl. No.: 880,850

[22] Filed: Feb. 22, 1978

[51] Int. Cl. D23-04

[52] U.S. Cl. D23/147

[58] Field of Search D23/139-167; 126/113

[56] References Cited

U.S. PATENT DOCUMENTS

- D. 204,716 5/1966 Martin D23/147
- D. 205,741 9/1966 White et al. D23/147
- D. 215,657 10/1969 Shaffer et al. D23/146

D. 229,693	12/1973	Morrow	D23/146
D. 229,695	12/1973	Morrow	D23/146
D. 229,753	1/1974	Morrow	D23/146
3,450,124	6/1969	Maunder, Jr.	126/113
3,724,824	4/1973	Mitch	126/113
3,739,767	6/1973	Peters	126/113
3,774,588	11/1973	Yeagle	126/113
3,799,513	3/1974	Winton	126/113 X

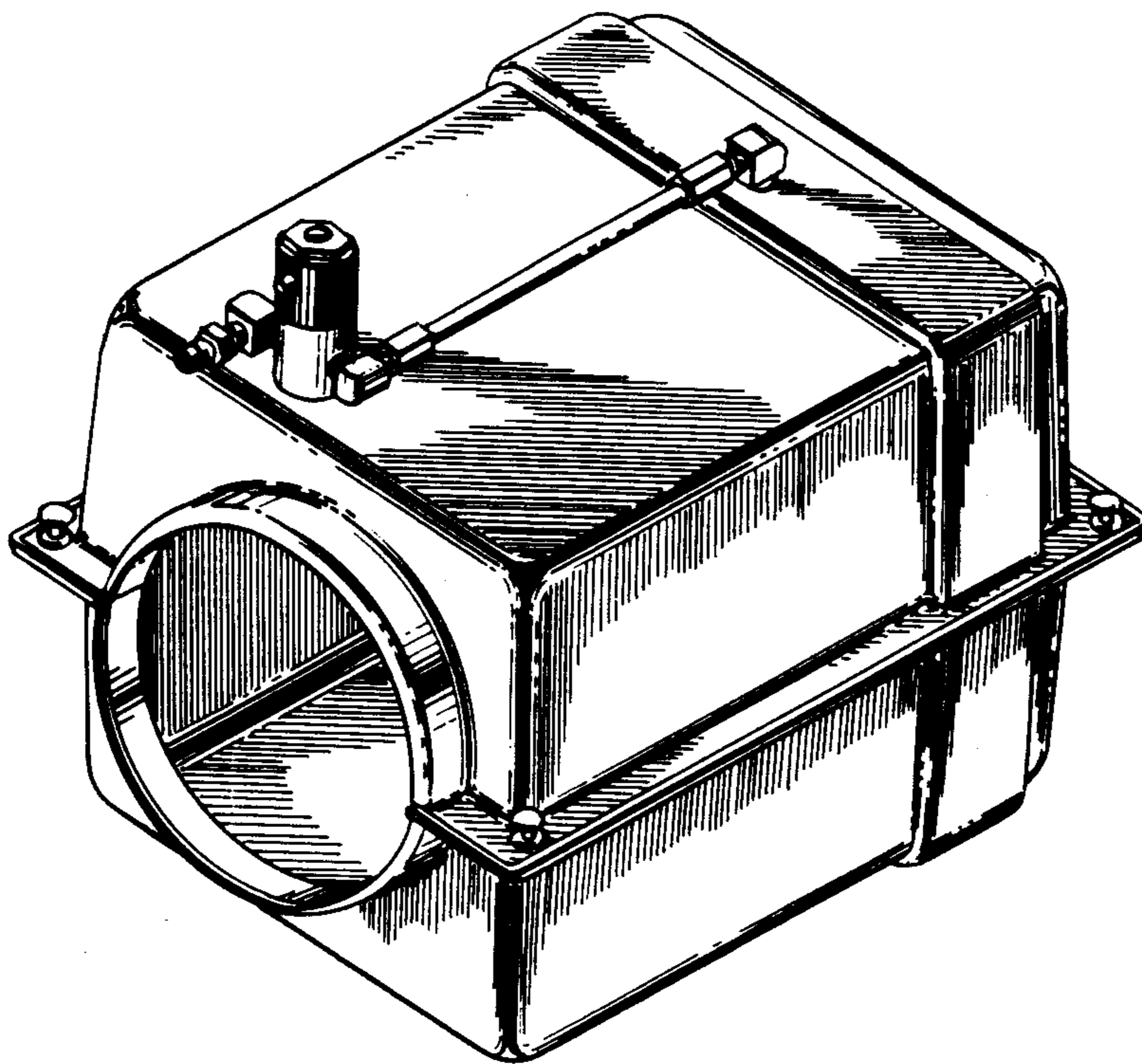
Primary Examiner—James R. Largen
Attorney, Agent, or Firm—Thomas B. Van Poole

[57] CLAIM

The ornamental design for a by-pass humidifier, as shown and described.

DESCRIPTION

FIG. 1 is a perspective view taken from the top, front and left side of a by-pass humidifier showing my new design;
FIG. 2 is a perspective view taken from the bottom, rear and right side thereof; and
FIG. 3 is a front elevational view thereof.



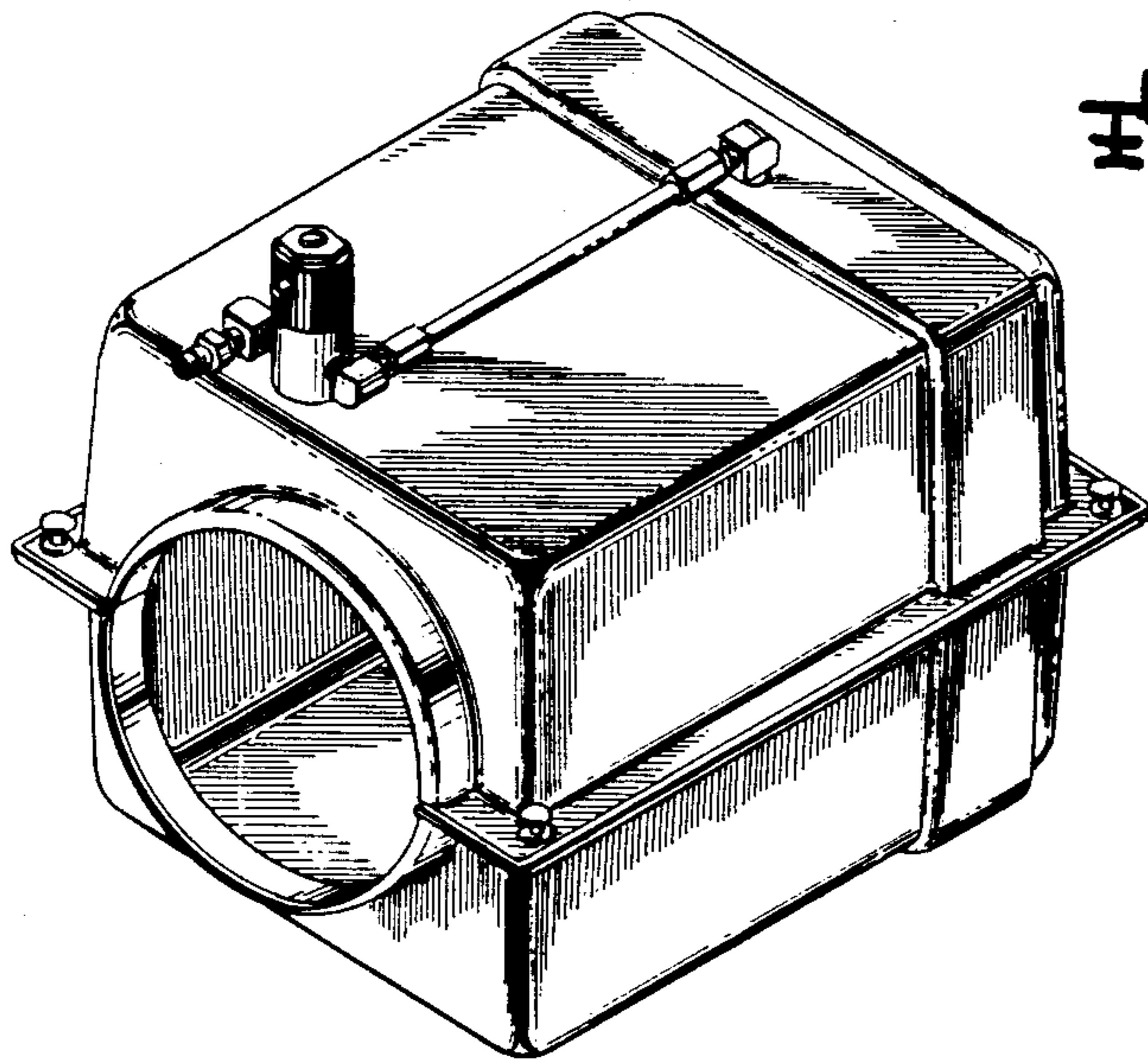


Fig-1

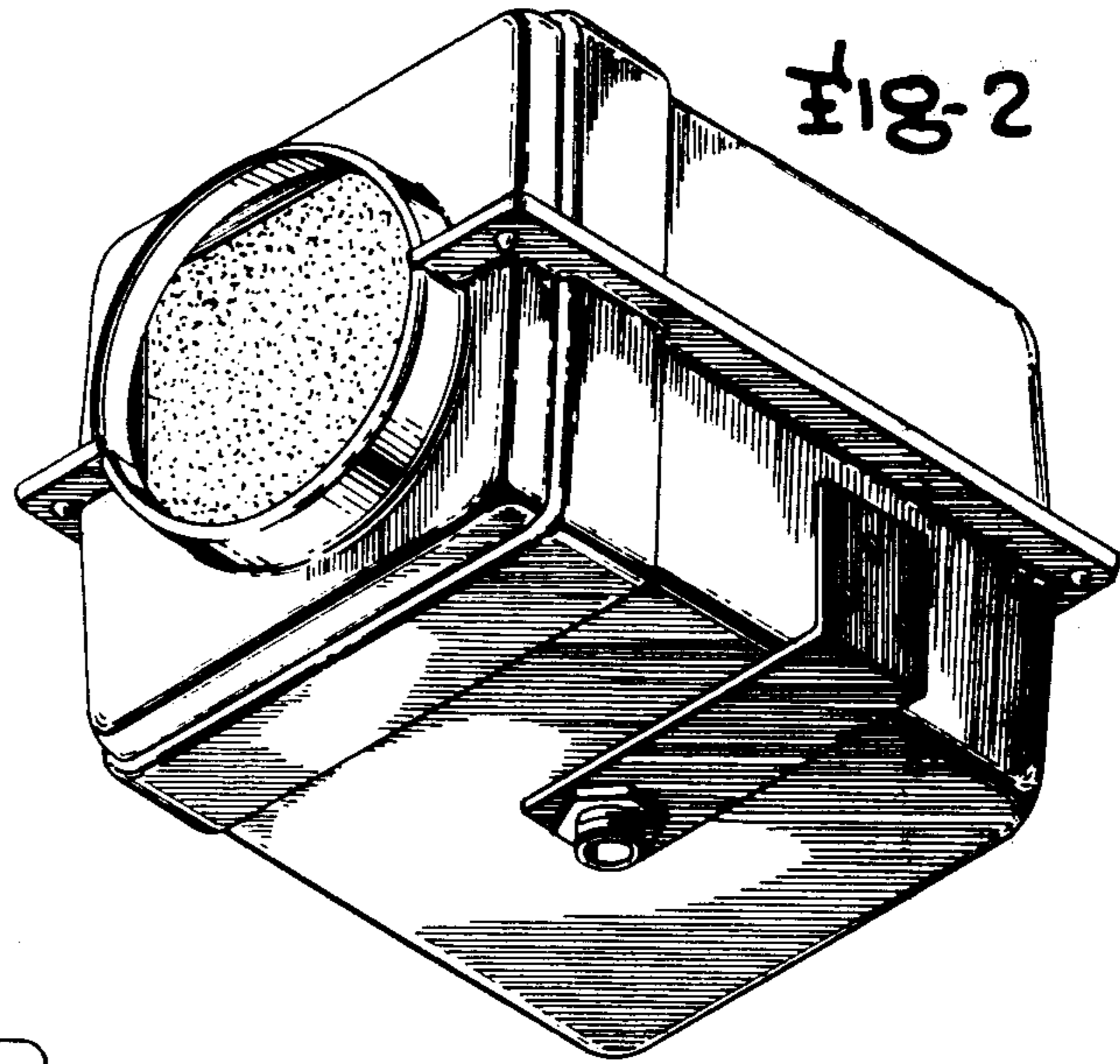


Fig-2

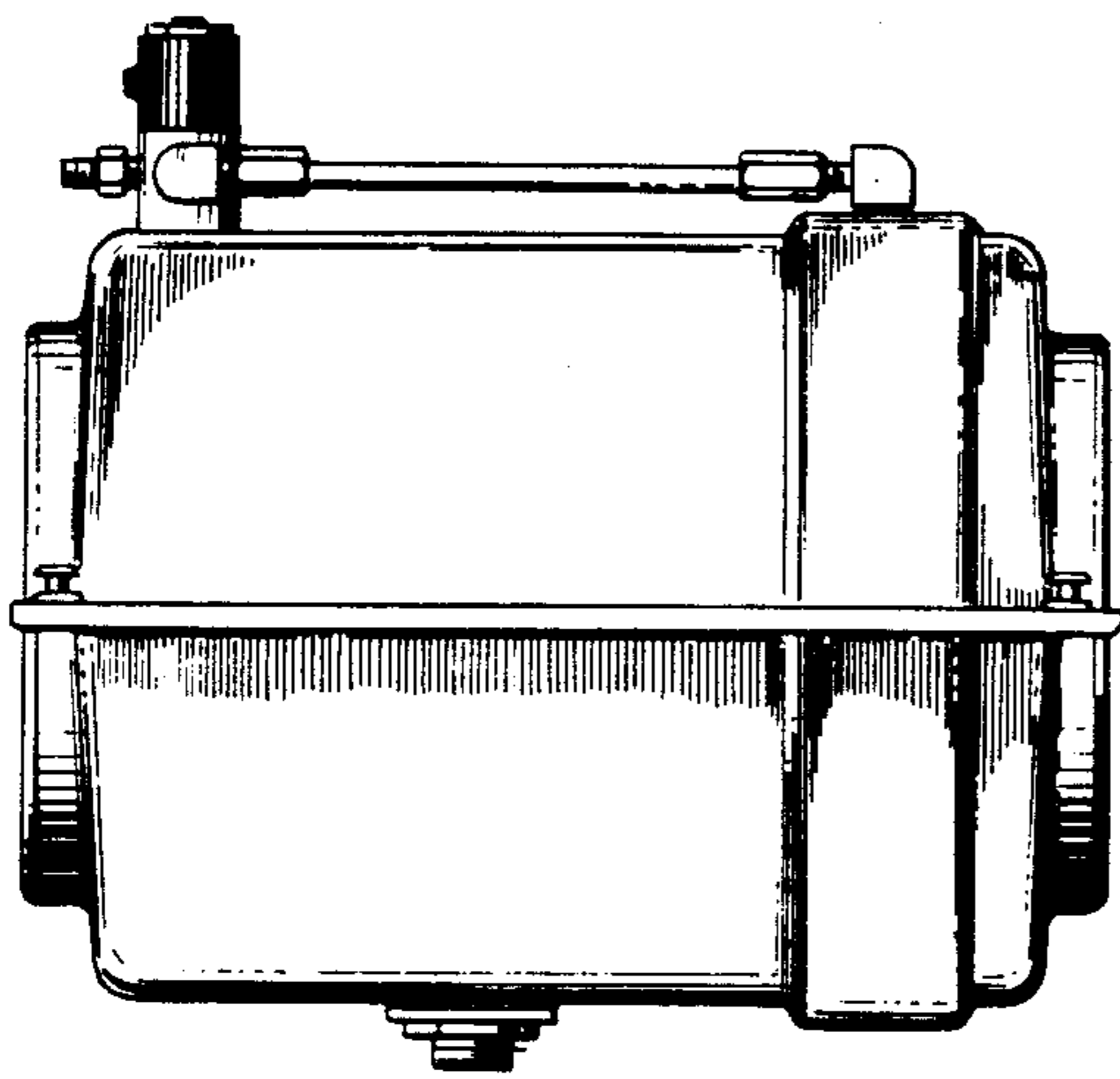


Fig-3