

[54] FISHING REEL

[75] Inventor: Yasomatsu Morishita, Kure, Japan

[73] Assignee: Ryobi Ltd., Fuchu, Japan

[\*\*] Term: 14 Years

[21] Appl. No.: 879,403

[22] Filed: Feb. 21, 1978

[30] Foreign Application Priority Data

Aug. 20, 1977 [JP] Japan ..... 52-33063

[51] Int. Cl. .... D22-05

[52] U.S. Cl. .... D22/25

[58] Field of Search ..... D22/25; 242/84.1 R,  
242/84.1 J, 84.2 R-84.2 H, 84.21 A, 84.21 R

[56] References Cited

U.S. PATENT DOCUMENTS

D. 223,355 4/1972 Kuroki ..... D22/25

D. 230,591	3/1974	Underwood .....	D22/25
3,138,344	6/1964	Small .....	D22/25 X
3,164,334	1/1965	Gris .....	D22/25 X
3,296,732	1/1967	Magnus .....	D22/25 X

Primary Examiner—A. Hugo Word  
Attorney, Agent, or Firm—Richard C. Sughrue

[57] CLAIM

The ornamental design for a fishing reel, as shown.

DESCRIPTION

FIG. 1 is a front, top and right side perspective view of a fishing reel showing my new design;

FIG. 2 is a rear, bottom and left side perspective view thereof;

FIG. 3 is a front elevational view thereof;

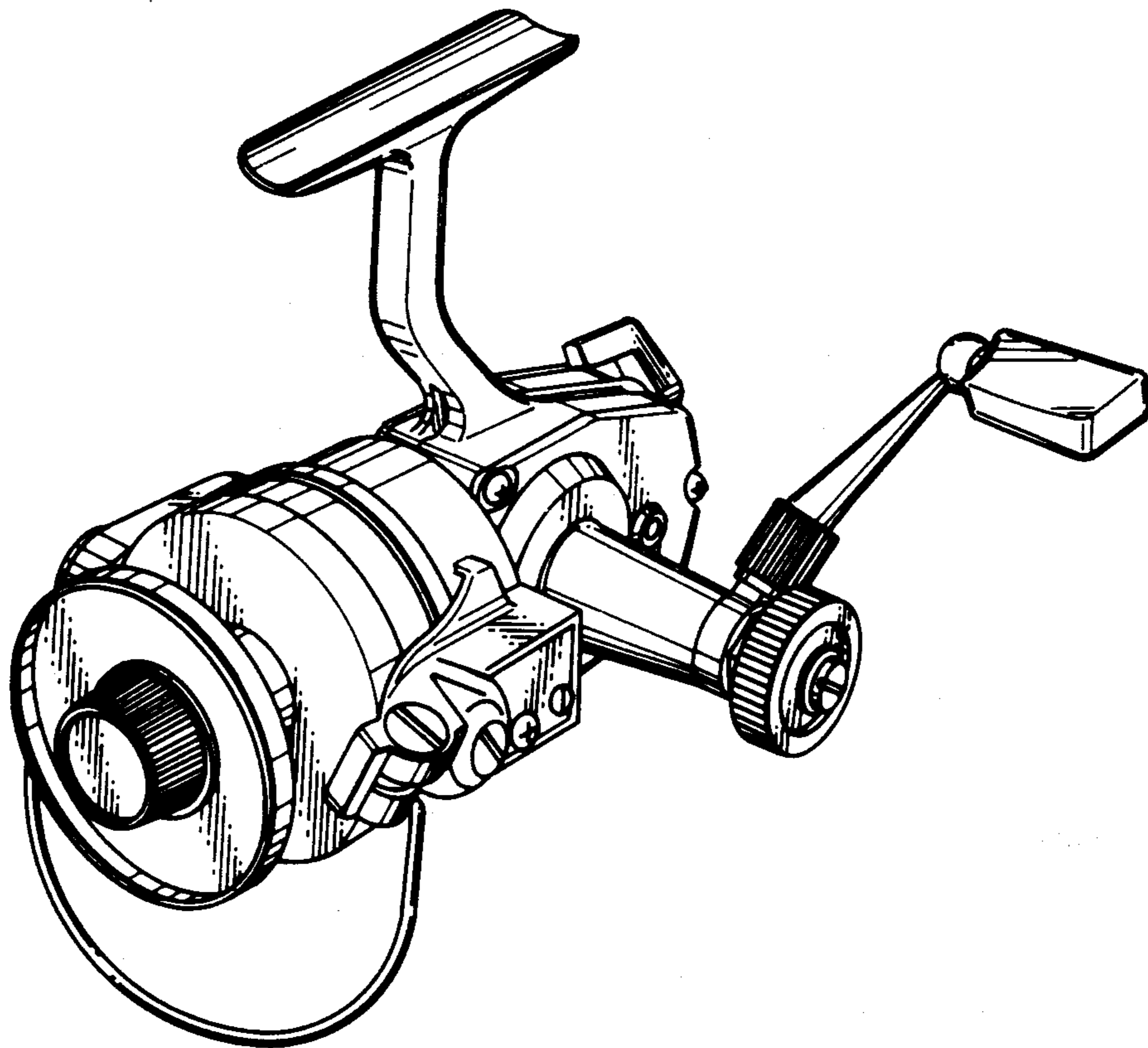
FIG. 4 is a rear elevational view thereof;

FIG. 5 is a top plan view thereof;

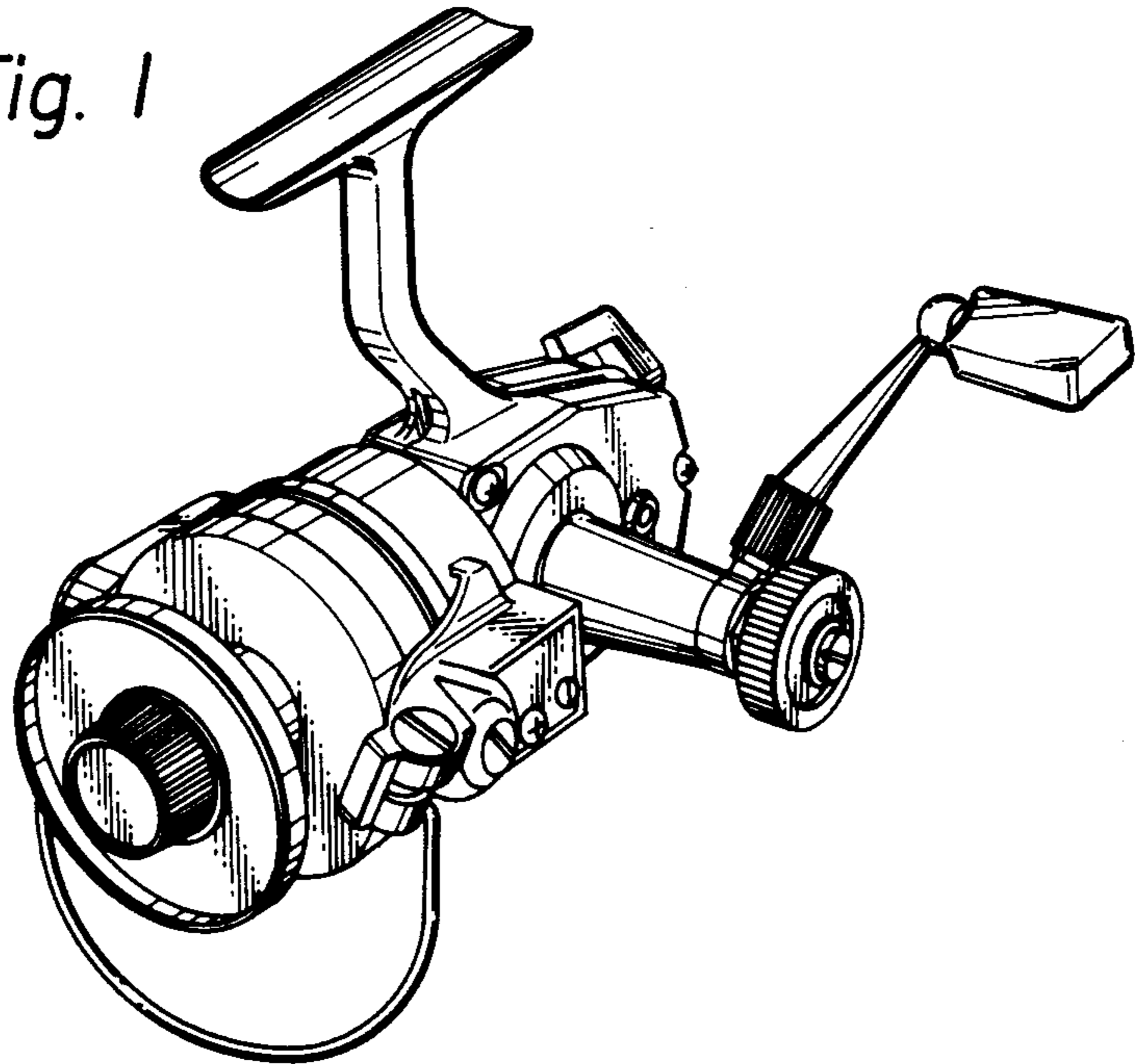
FIG. 6 is a bottom plan view thereof;

FIG. 7 is a right side elevational view thereof; and

FIG. 8 is a left side elevational view thereof.



*Fig. 1*



*Fig. 2*

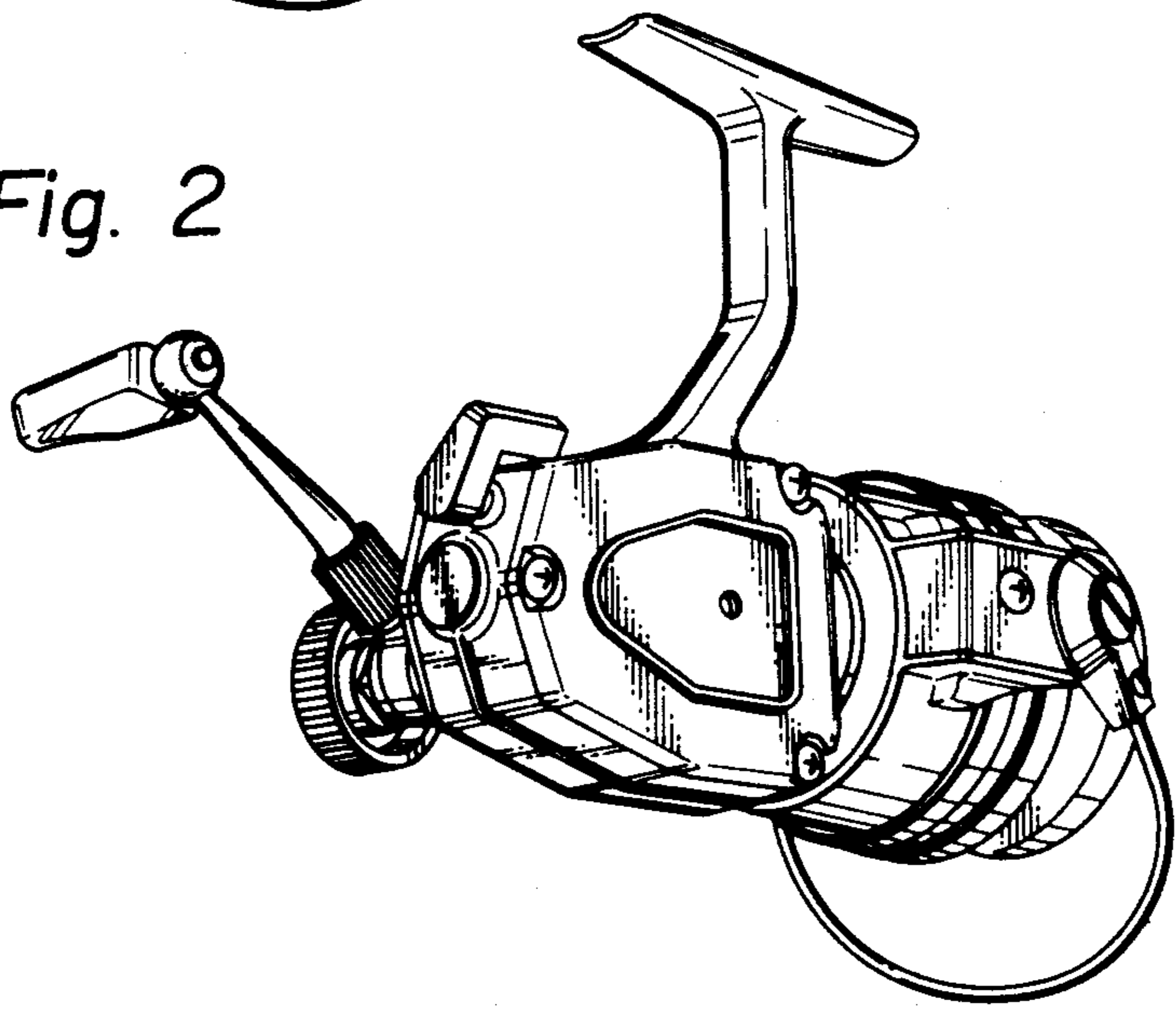


Fig. 3

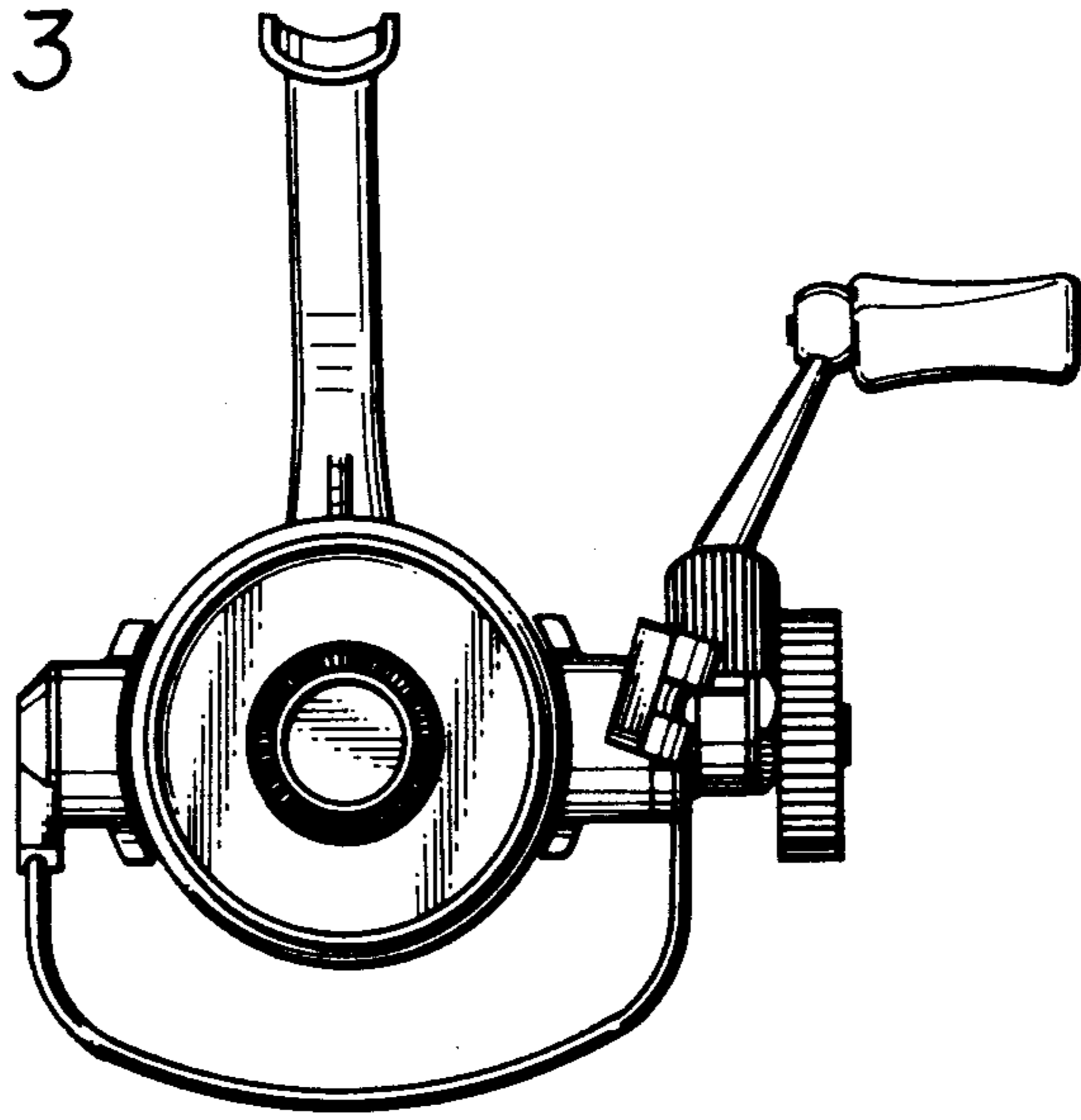
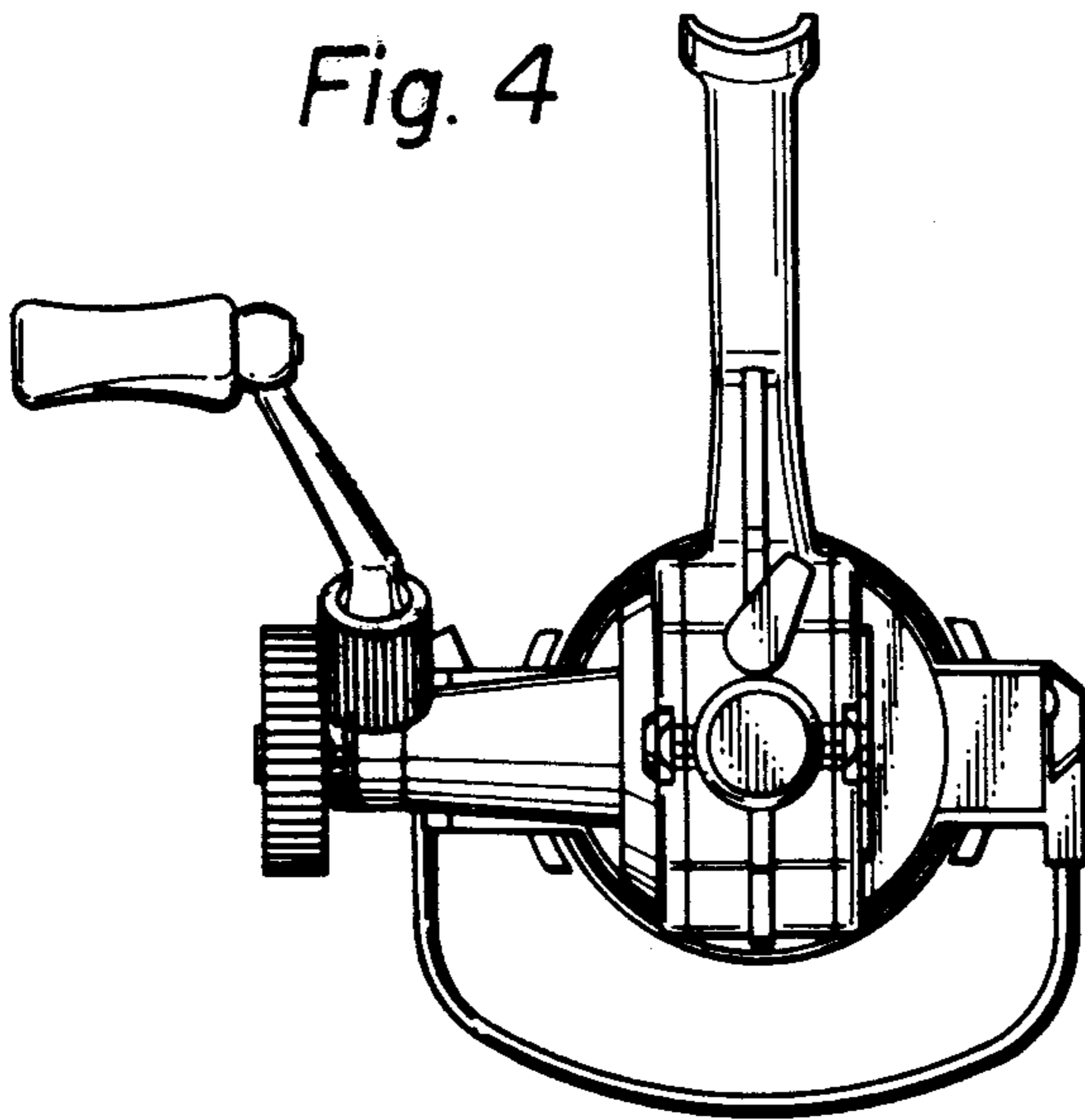
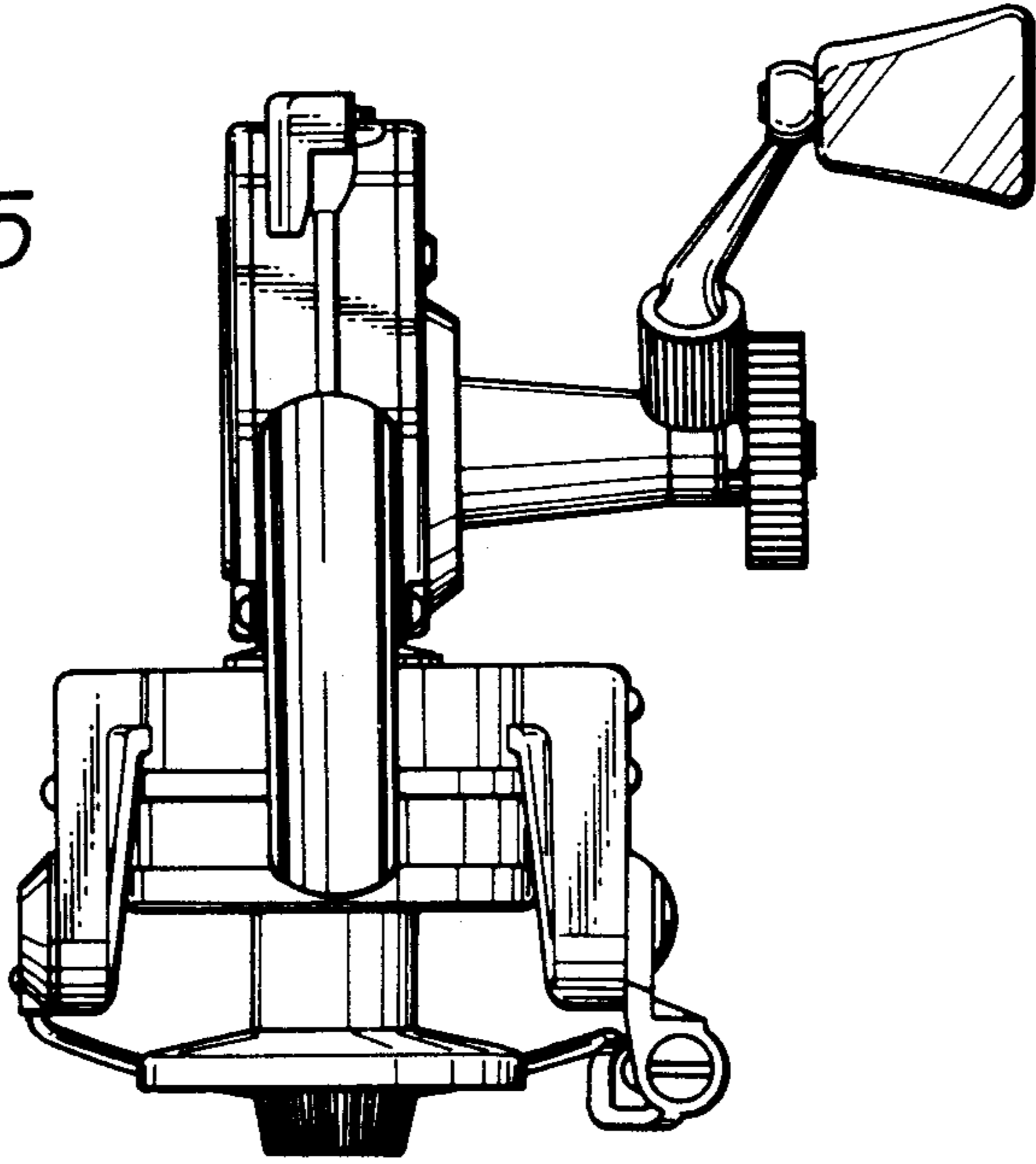


Fig. 4



*Fig. 5*



*Fig. 6*

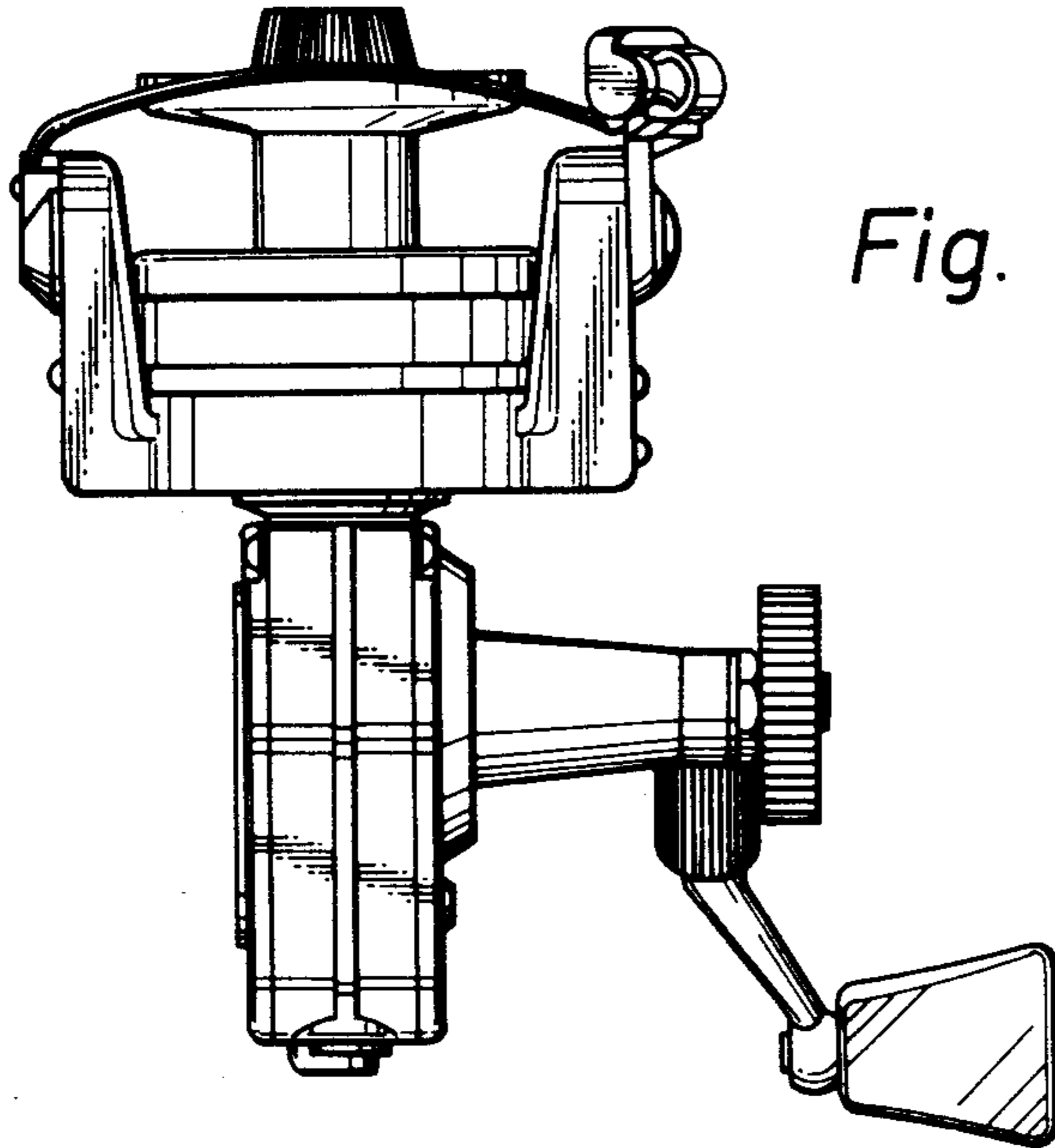


Fig. 7

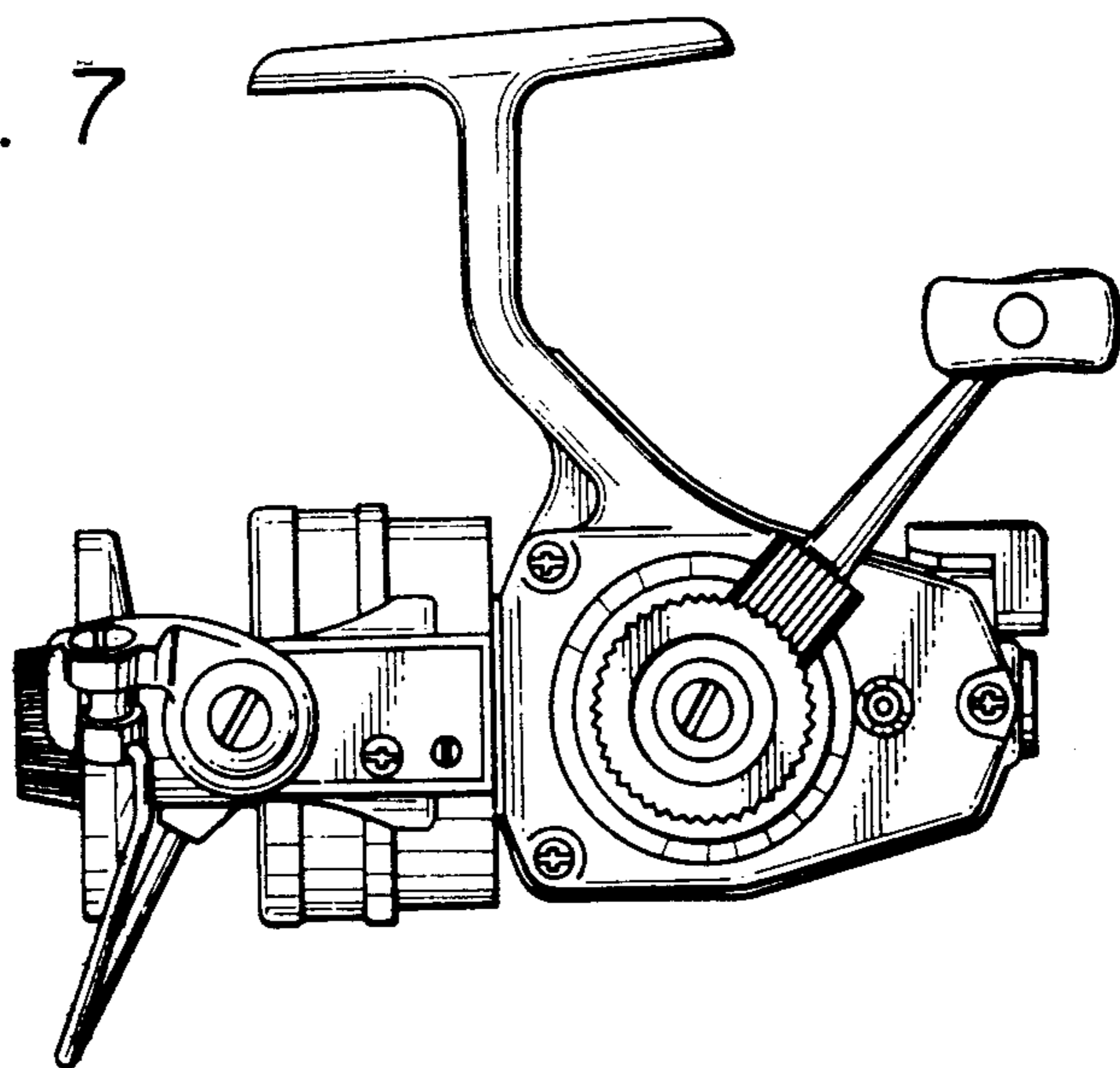


Fig. 8

