

[54] FISHING REEL

[75] Inventors: Etsuo Hiraishi, Hiroshima; Teruo Okamoto, Mihara, both of Japan

[73] Assignee: Ryobi Ltd., Fuchu, Japan

[**] Term: 14 Years

[21] Appl. No.: 840,062

[22] Filed: Oct. 4, 1977

[51] Int. Cl. D22-05

[52] U.S. Cl. D22/25

[58] Field of Search D22/25; 242/84.1 R, 242/84.1 J, 84.2 R, 84.2 H, 84.21 R, 84.21 A

[56]

References Cited

U.S. PATENT DOCUMENTS

D. 208,910	10/1967	Mineur	D22/25
D. 223,355	4/1972	Kuroki	D22/25
D. 230,591	3/1974	Underwood	D22/25
3,164,334	1/1965	Gris	D22/25 X
3,296,732	1/1967	Magnus	D22/25 X

Primary Examiner—A. Hugo Word

[57]

CLAIM

The ornamental design for a fishing reel, as shown.

DESCRIPTION

FIG. 1 is a top, rear and left side perspective view of a fishing reel showing our new design; FIG. 2 is a top plan view thereof; FIG. 3 is a front view thereof; FIG. 4 is a left side view thereof; FIG. 5 is a rear view thereof; FIG. 6 is a right side view thereof; and FIG. 7 is a bottom plan view thereof.

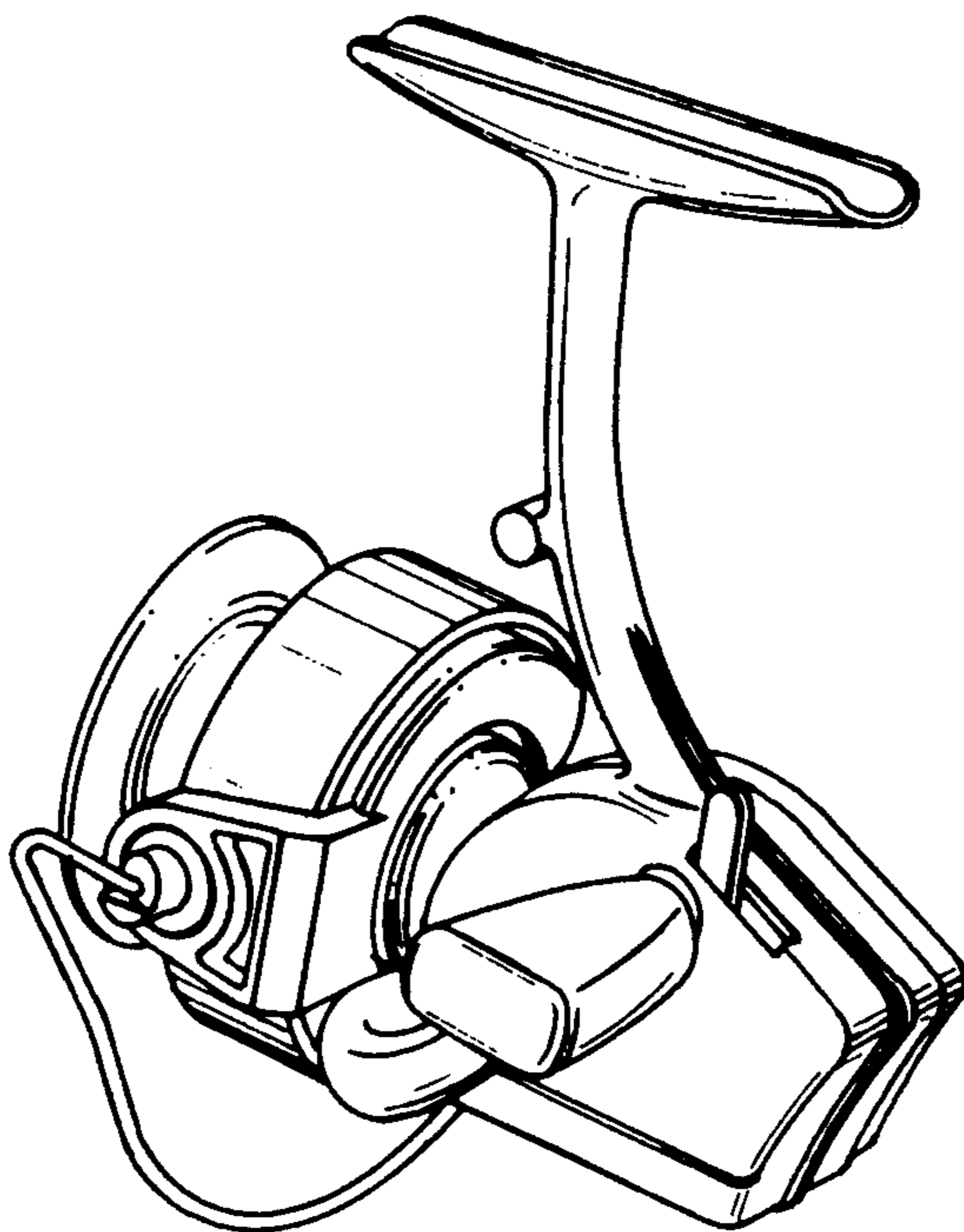


FIG. 2

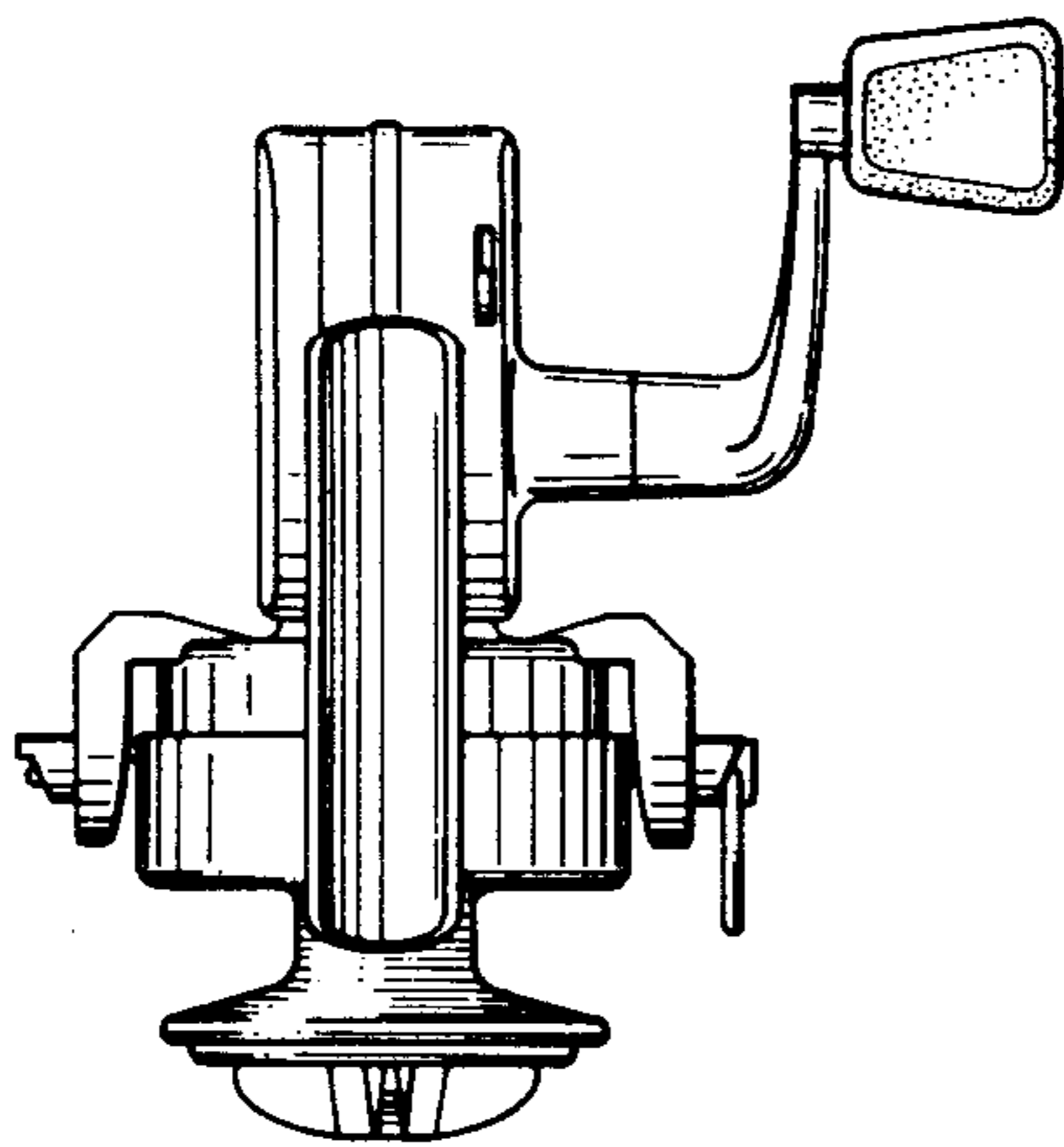


FIG. 1

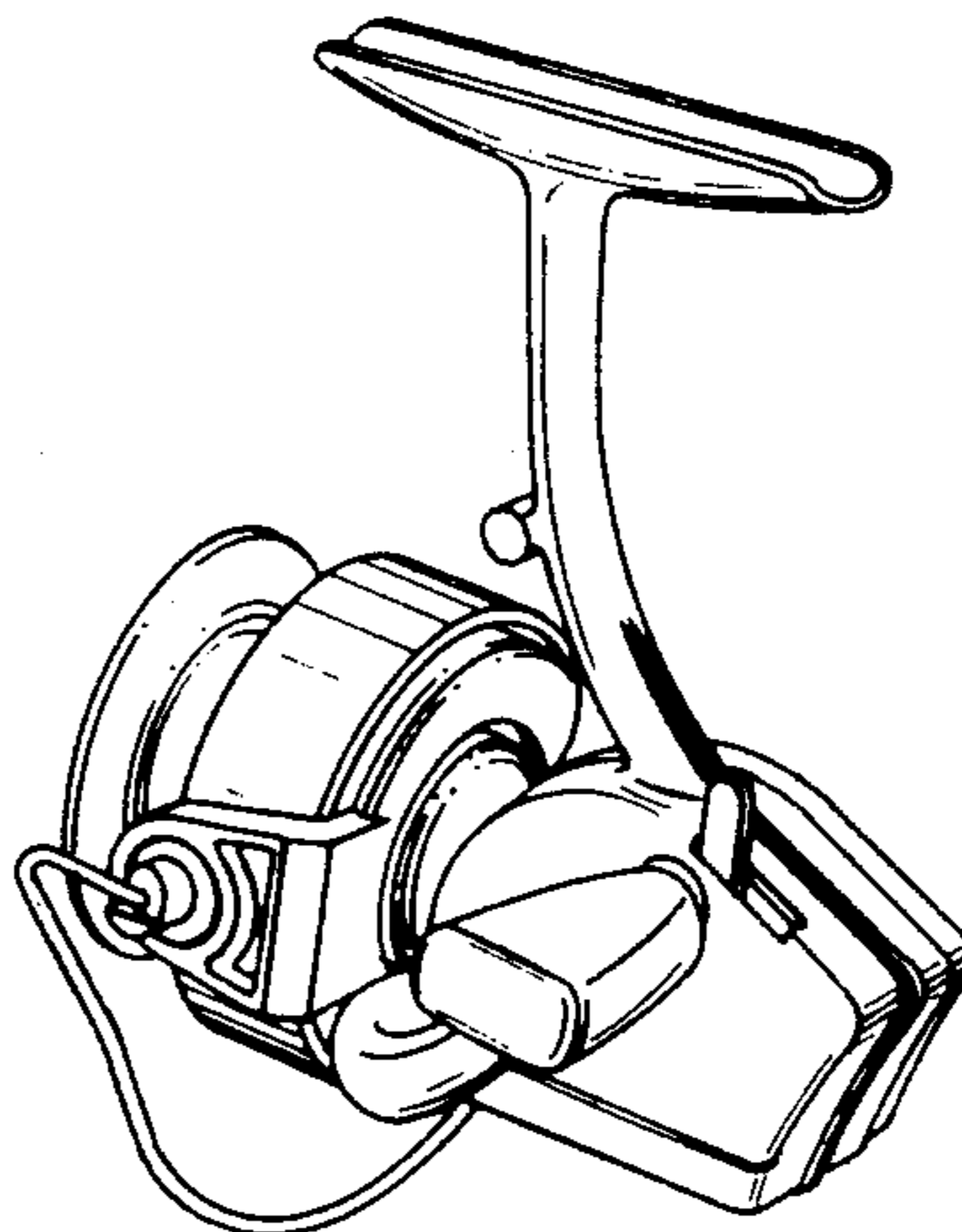


FIG. 3

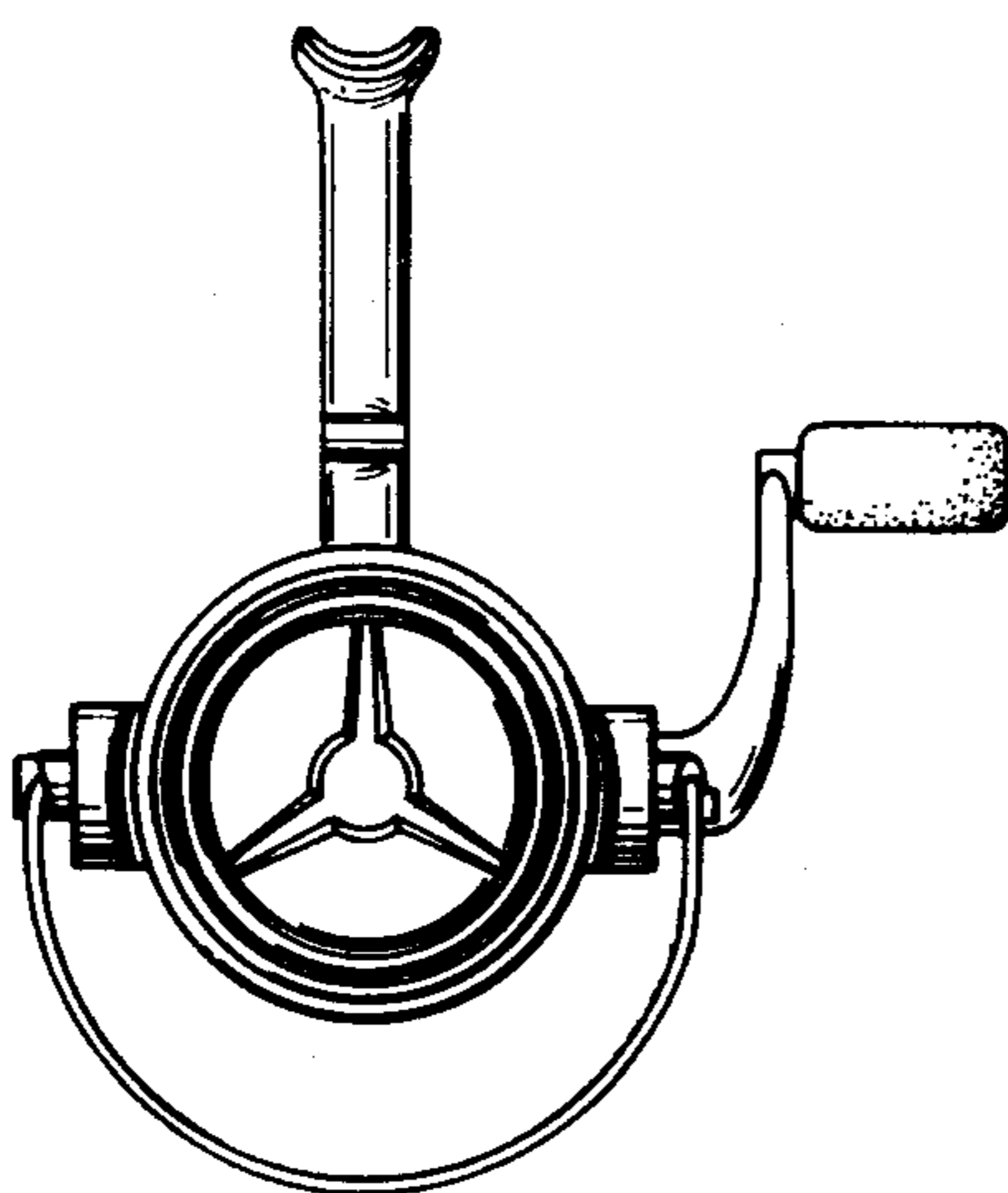


FIG. 4

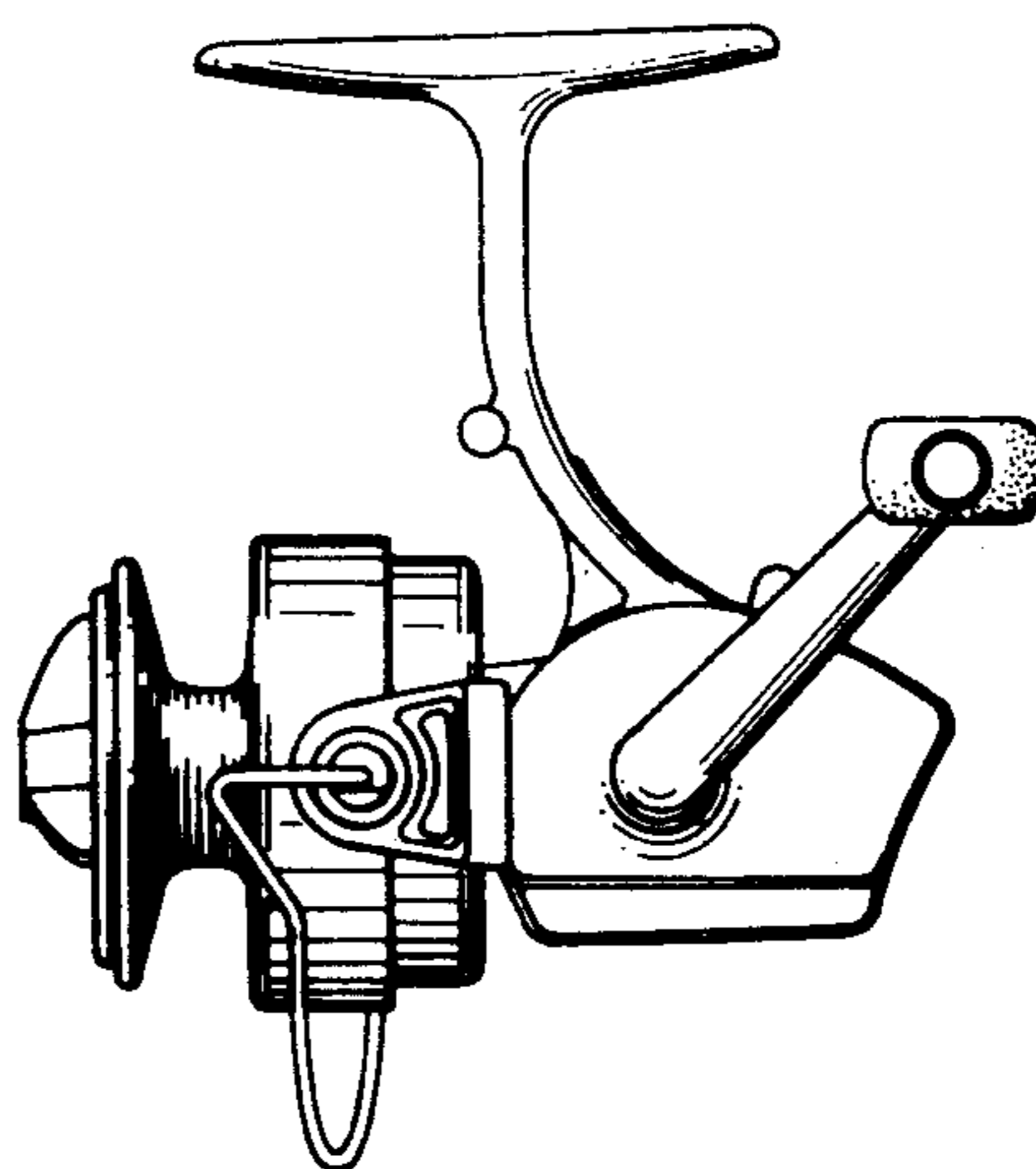


FIG. 5

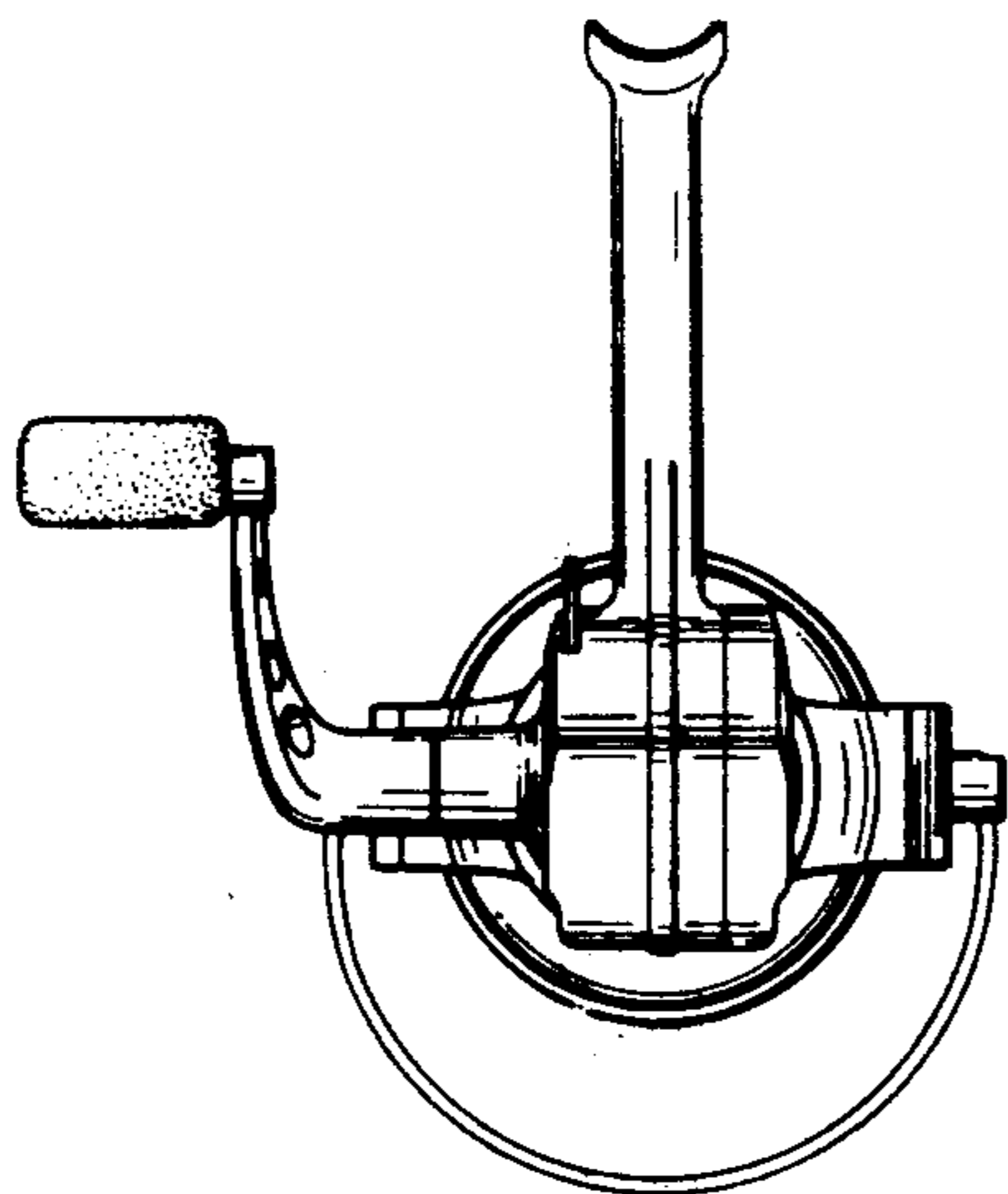


FIG. 6

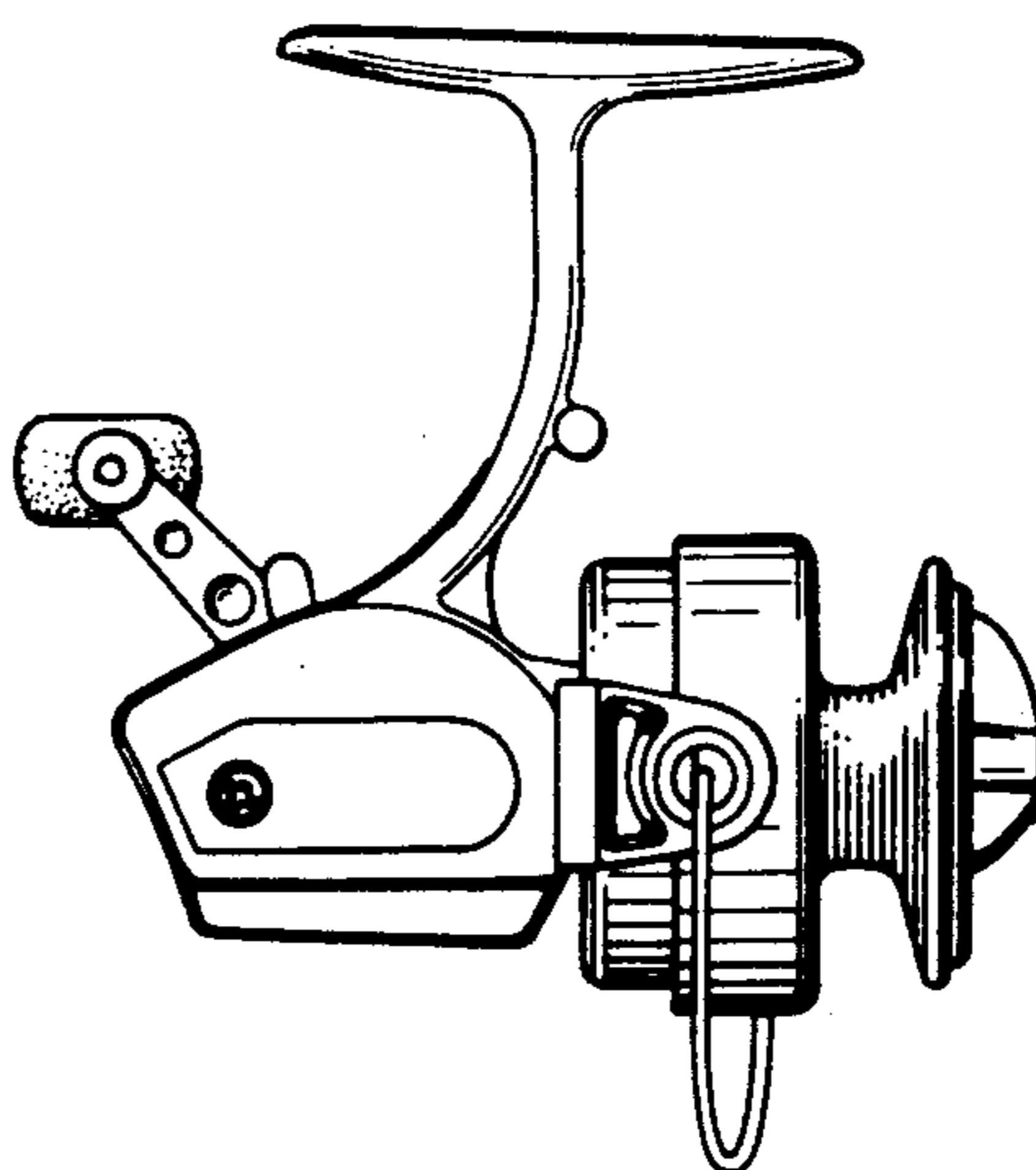


FIG. 7

