

[54] **KITE** 3,951,363 4/1976 Grauel 244/153 R
 3,963,200 6/1976 Arnstein D34/15 AF

[76] Inventor: **Lavon C. Miller, 5952 Tibet Dr., Dayton, Ohio 45424**

[**] Term: **14 Years**

[21] Appl. No.: **862,148**

[22] Filed: **Dec. 19, 1977**

[51] Int. Cl. **D21-01**

[52] U.S. Cl. **D21/88**

[58] Field of Search **D34/15 AF, 15 HR; 244/153 A, 153 R, 154, 155 R, 155 A; 46/79, 80, 81; D21/88**

Primary Examiner—Joel Stearman
Assistant Examiner—Charles A. Rademaker
Attorney, Agent, or Firm—William R. Jacox

[57] **CLAIM**

The ornamental design for a kite, substantially as shown and described.

DESCRIPTION

FIG. 1 is a top perspective view of a kite showing my new design;
 FIG. 2 is a bottom perspective view thereof;
 FIG. 3 is a top plan view thereof;
 FIG. 4 is a front elevational view thereof;
 FIG. 5 is a rear elevational view thereof;
 FIG. 6 is a bottom plan view thereof;
 FIG. 7 is a right side elevational view thereof; and
 FIG. 8 is a left side elevational view thereof.

[56] **References Cited**

U.S. PATENT DOCUMENTS

D. 151,944 11/1948 Shackelford 244/153
 2,785,870 3/1957 Green D34/15 AF
 3,534,932 10/1970 Christoffel et al. 244/153 R

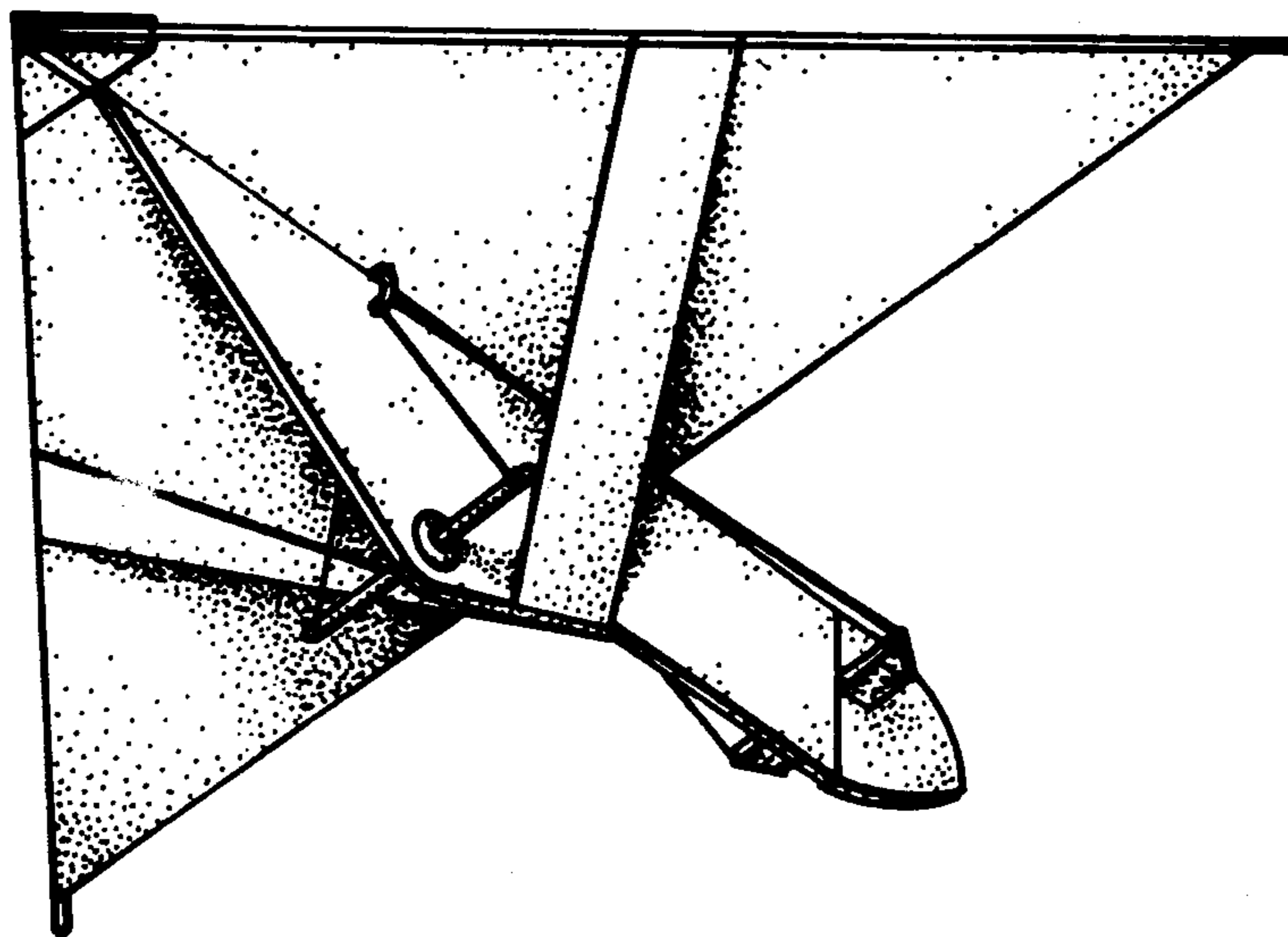


FIG-1

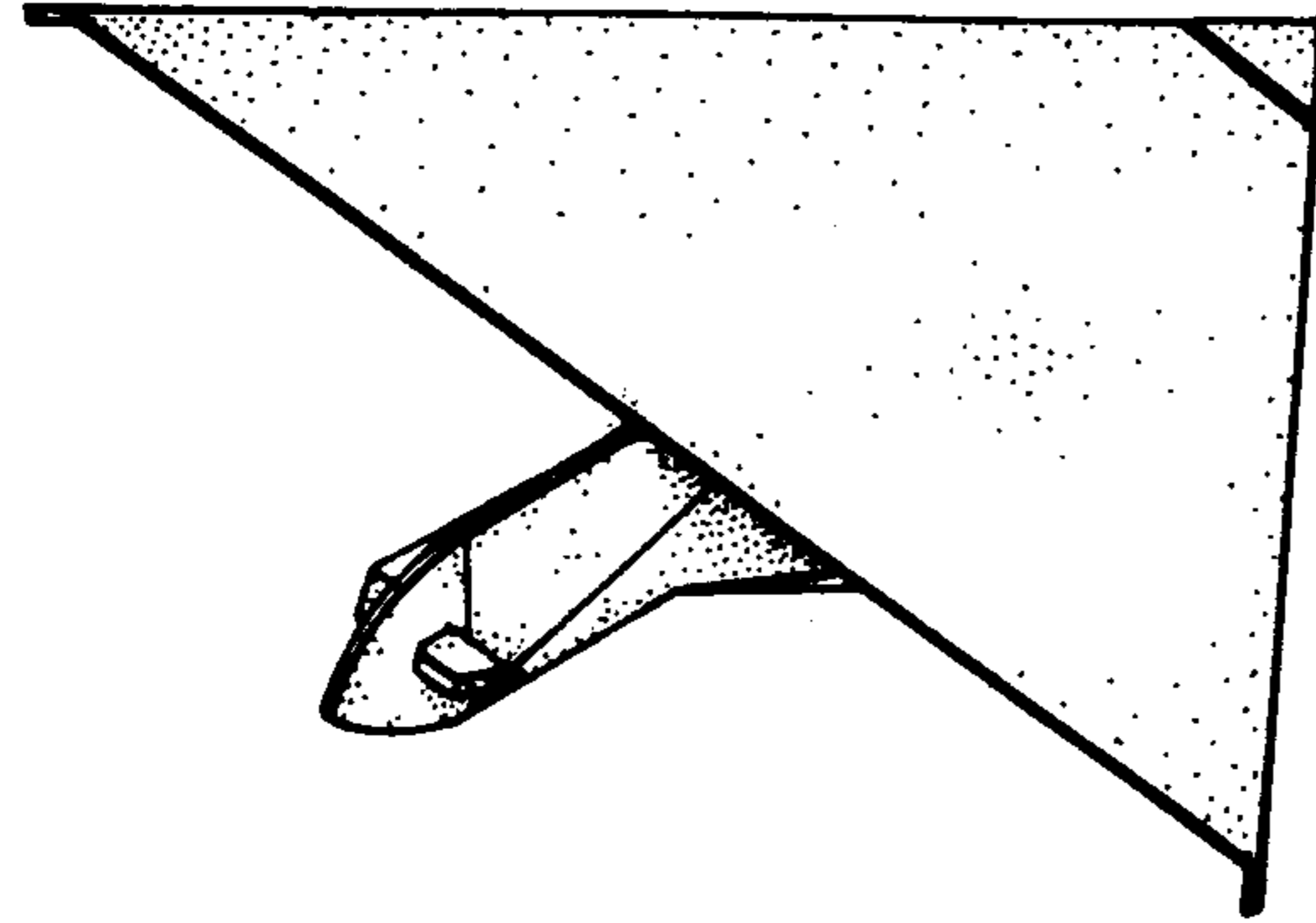


FIG-2

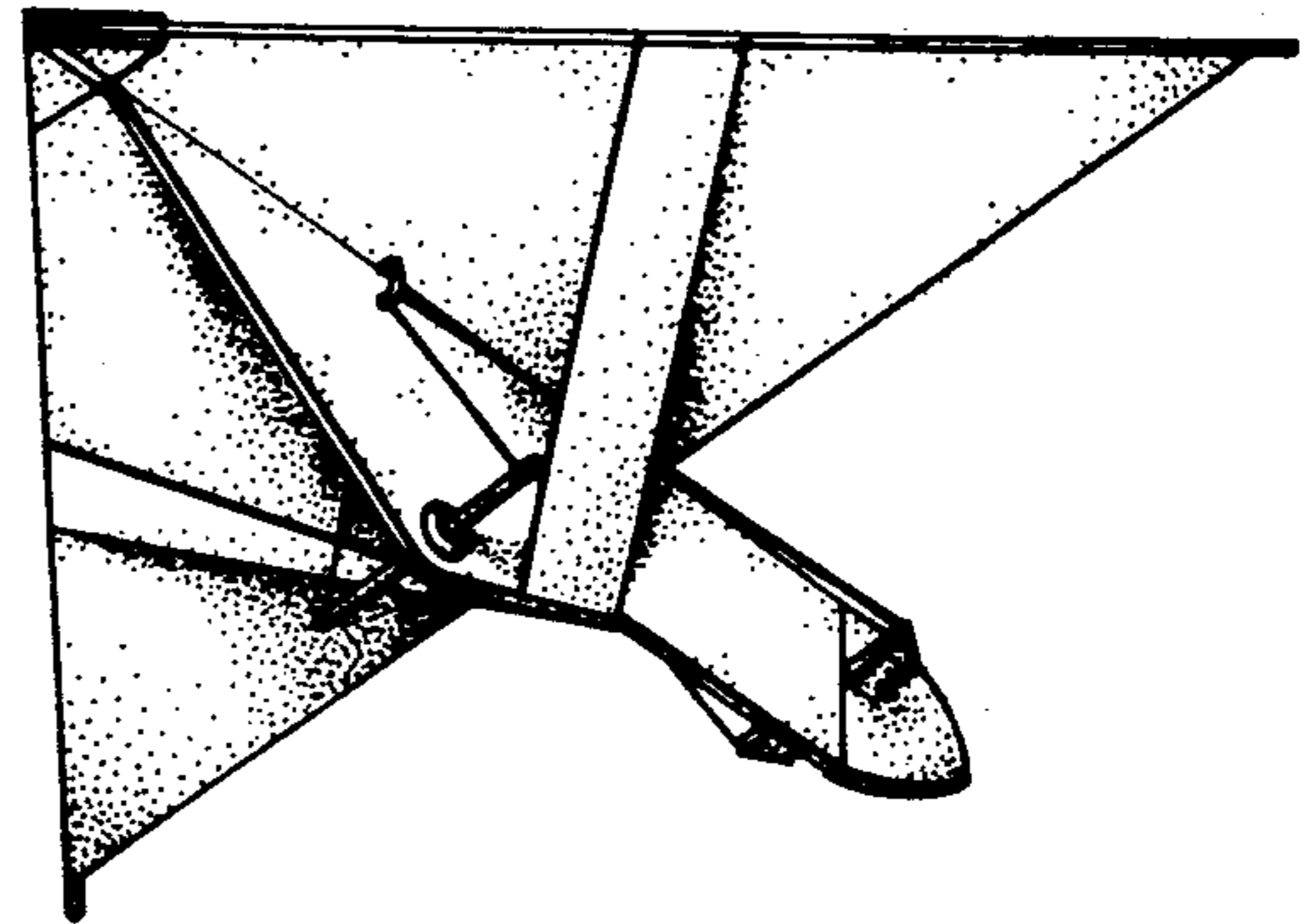


FIG-3

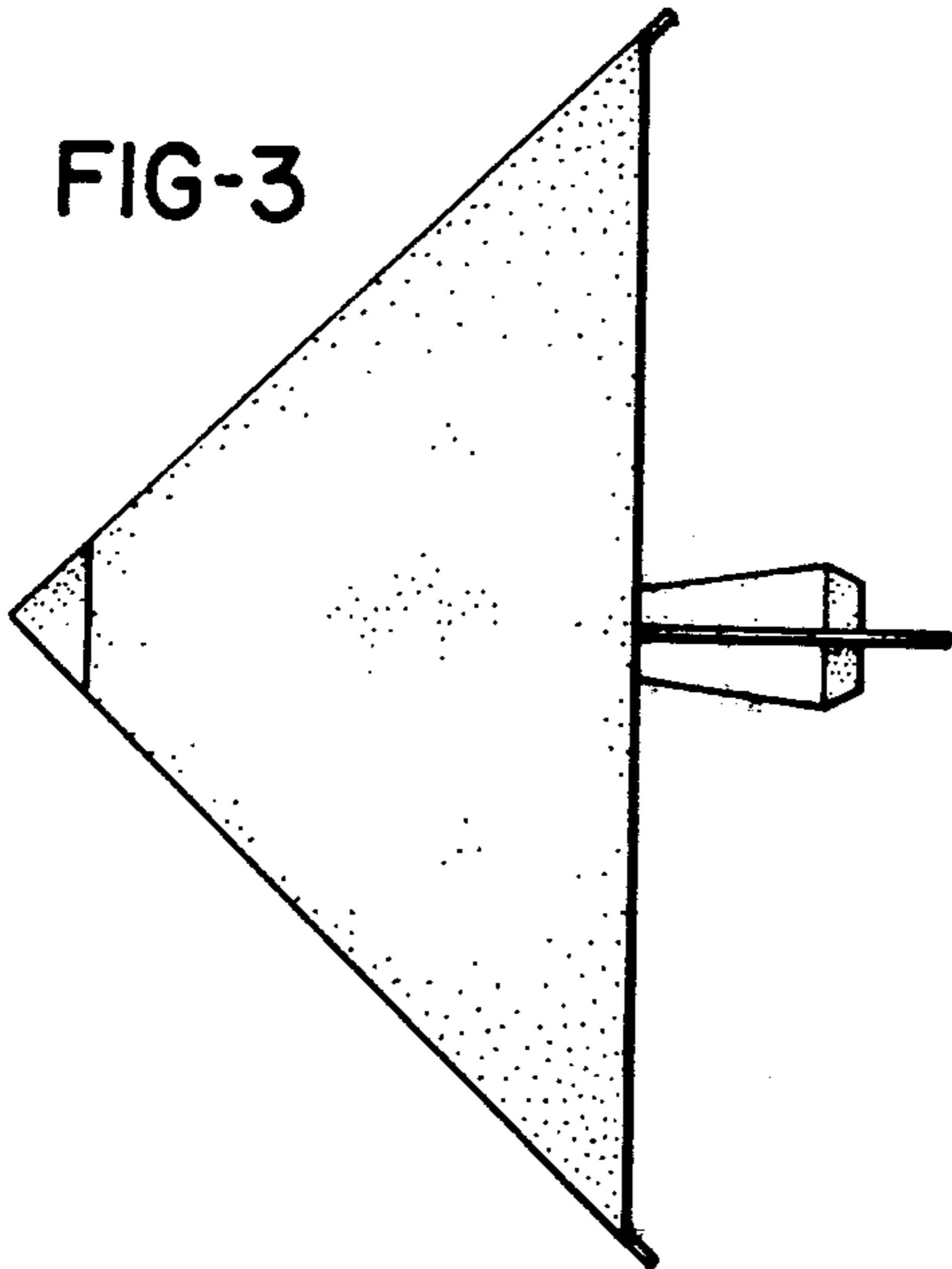


FIG-4

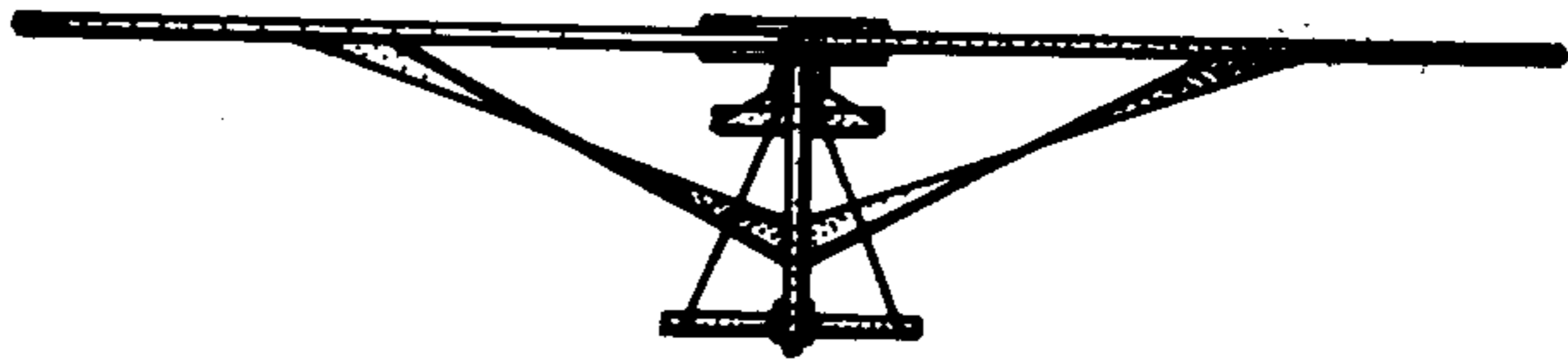


FIG-5

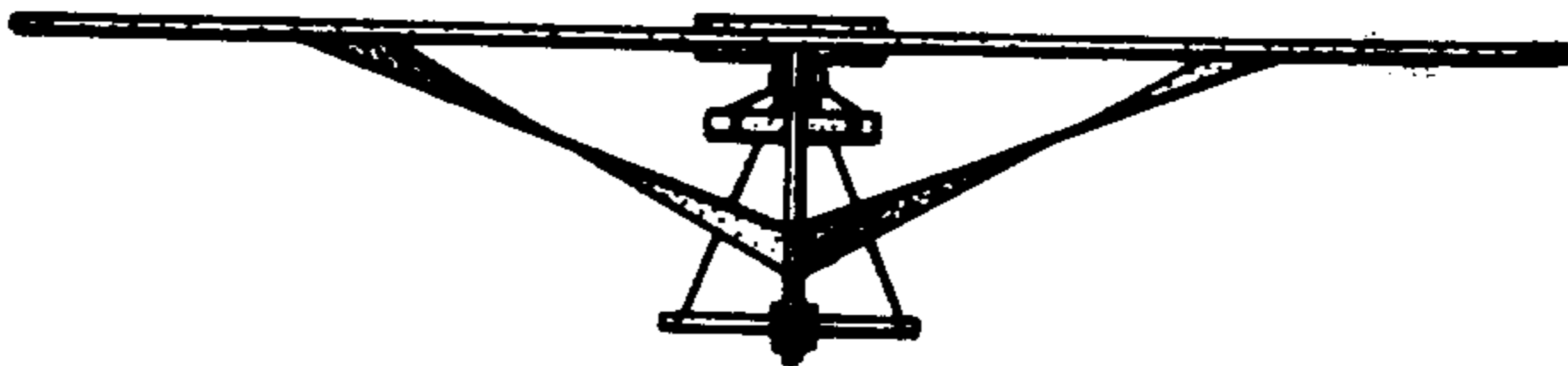


FIG-6

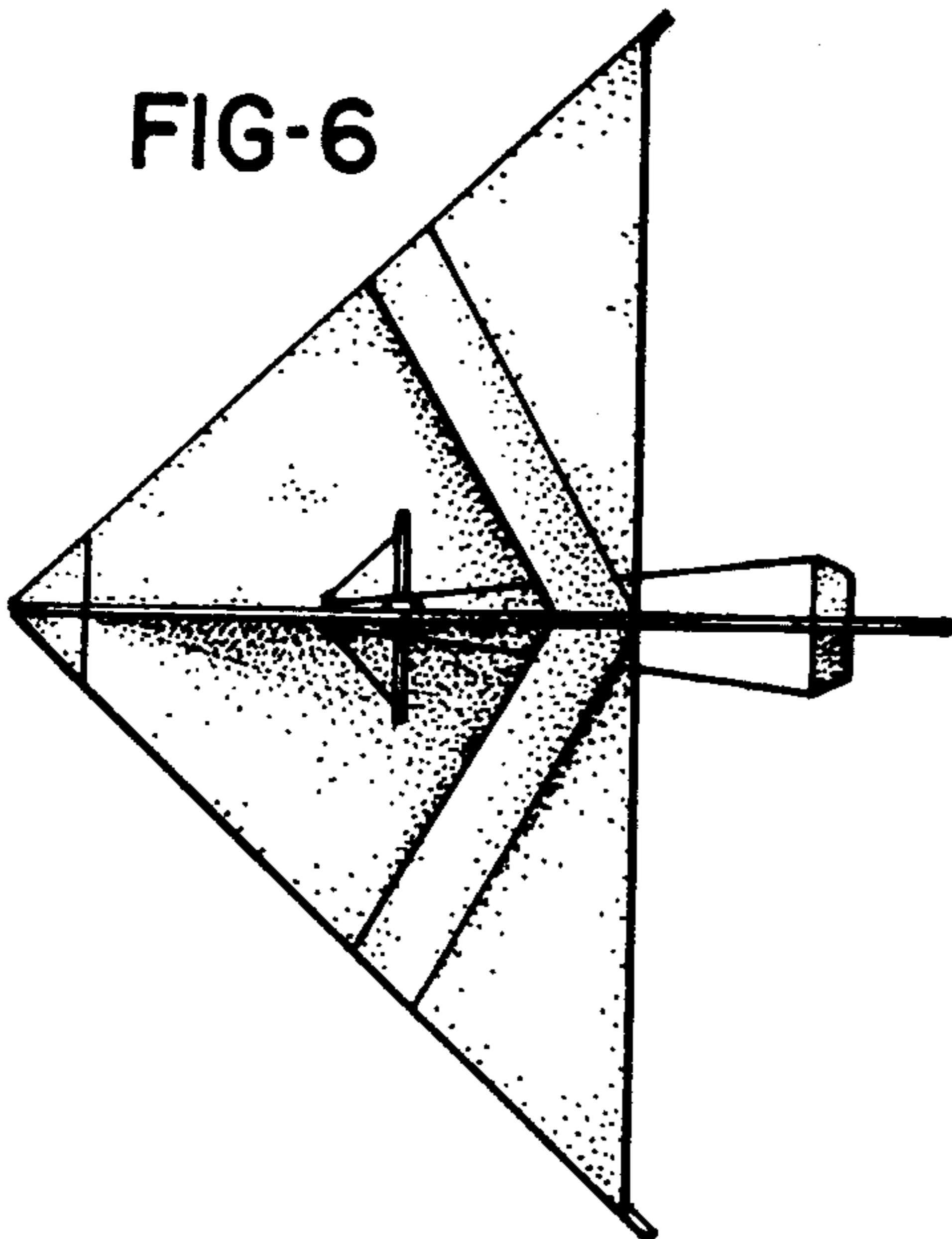


FIG-7

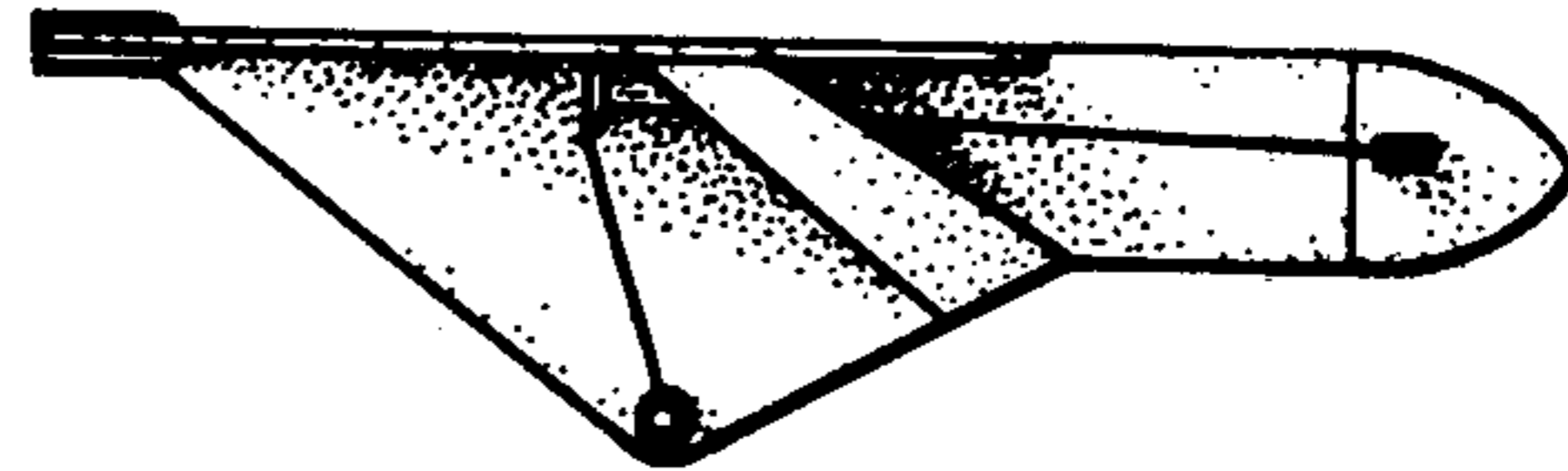


FIG-8

