

[54] TOY VEHICLE

[75] Inventors: Calvin S. Cook; James Smith, both of Erie, Pa.; John A. Vernon, Jr., Bethel; Richard Ratkiewich, Prospect, both of Conn.

[73] Assignee: Louis Marx & Co., Inc., Stamford, Conn.

[**] Term: 14 Years

[21] Appl. No.: 829,544

[22] Filed: Aug. 31, 1977

Related U.S. Application Data

[62] Division of Ser. No. 711,044, Aug. 2, 1976.

[51] Int. Cl. D21-01

[52] U.S. Cl. D21/80

[58] Field of Search D12/107, 108, 112, 113; D34/15 AJ, 15 AN; 280/87.01, 87.02, 282, 259, 261, 7.5

[56] References Cited

U.S. PATENT DOCUMENTS

D. 203,759 2/1966 Ryan et al. D34/15 AJ
3,776,353 12/1973 Roth D12/113

OTHER PUBLICATIONS

Playthings, 2-1976, p. 17, Toy Vehicle at "A".

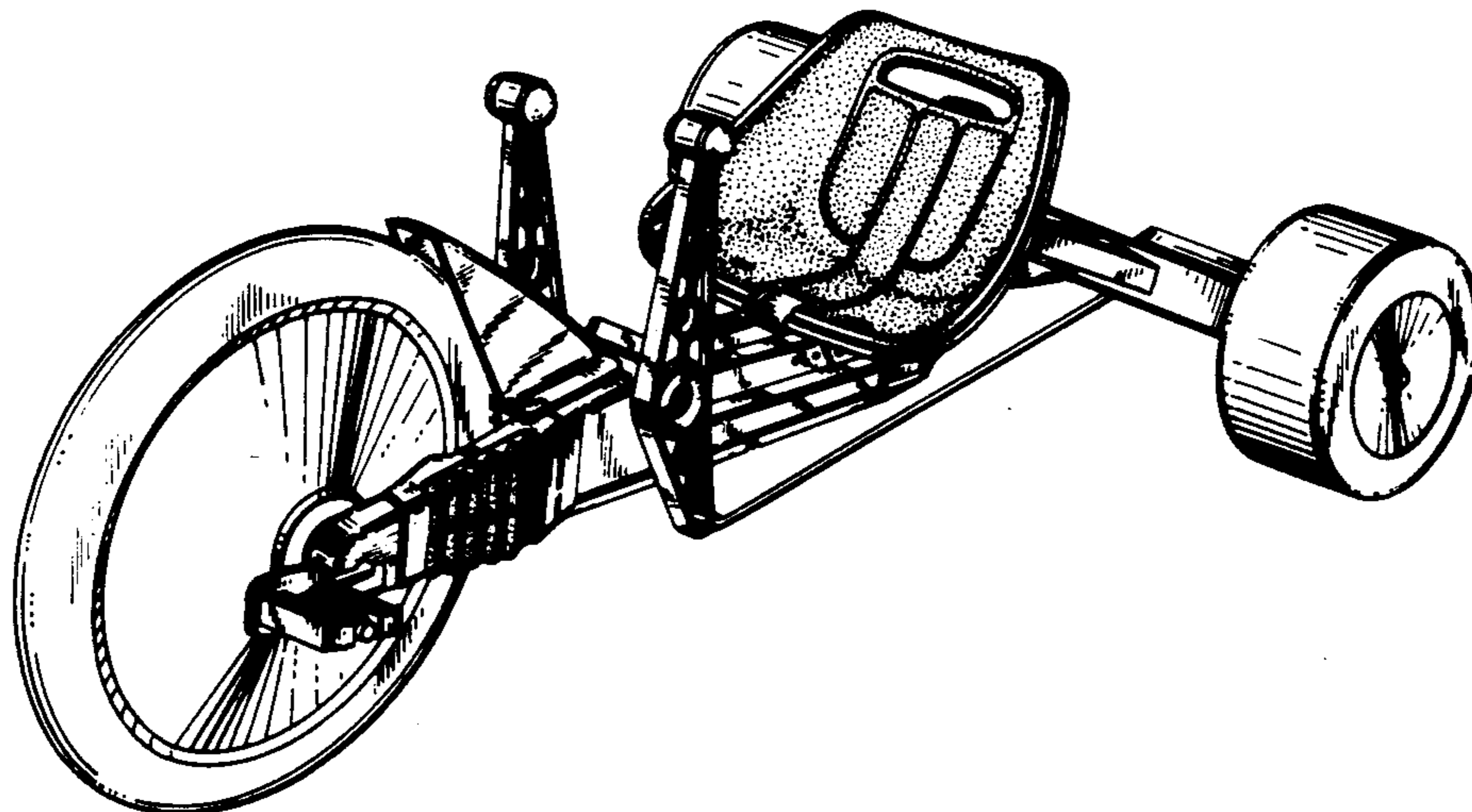
Primary Examiner—Melvin B. Feifer
Assistant Examiner—Charles A. Rademaker
Attorney, Agent, or Firm—Harold I. Kaplan

[57] CLAIM

The ornamental design for a toy vehicle, as shown.

DESCRIPTION

FIG. 1 is a front and left side perspective view of a toy vehicle showing our new design;
FIG. 2 is a right side elevational view thereof;
FIG. 3 is a rear elevational view thereof; and
FIG. 4 is a bottom plan view thereof;



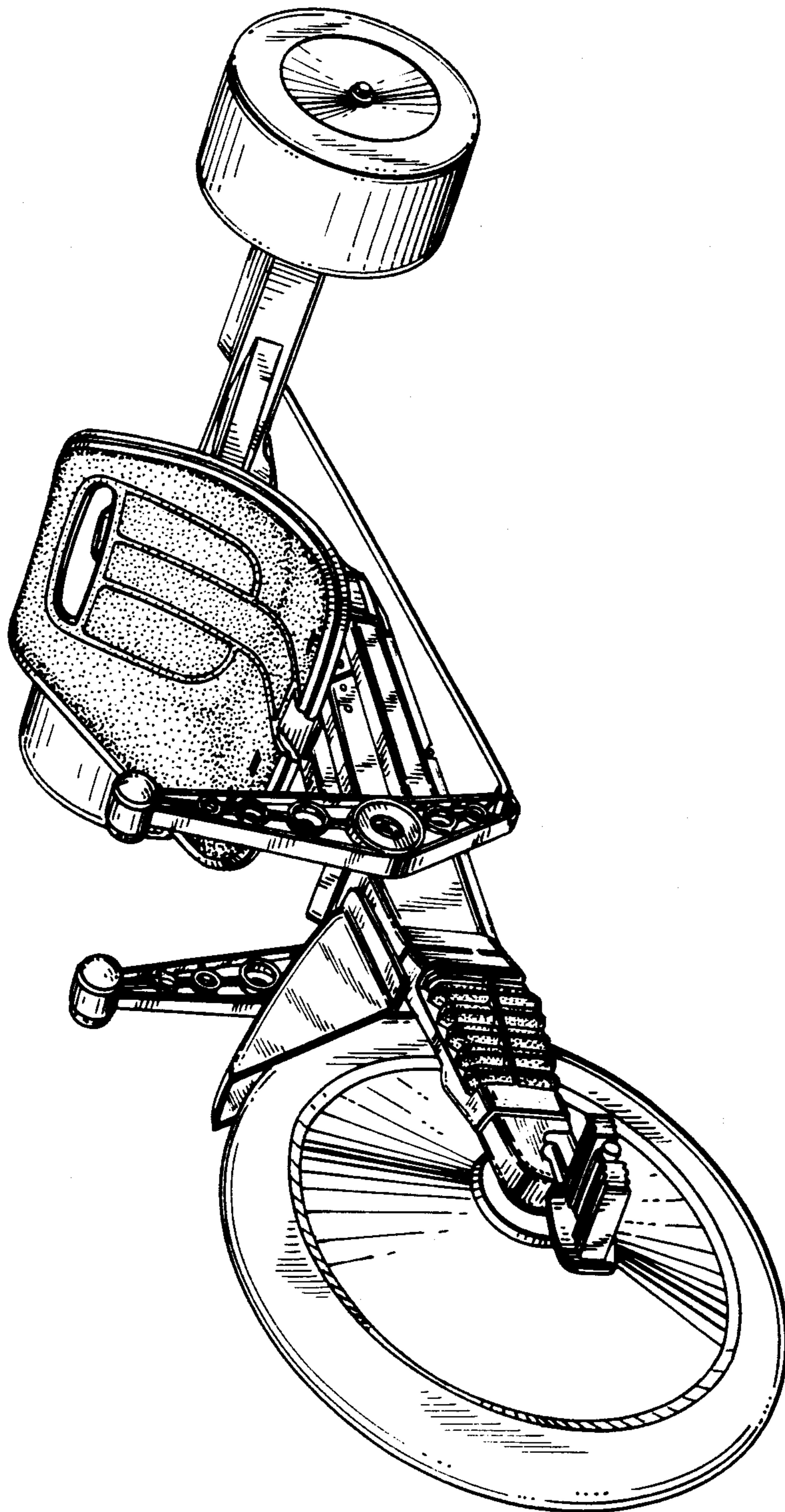


FIG. 1

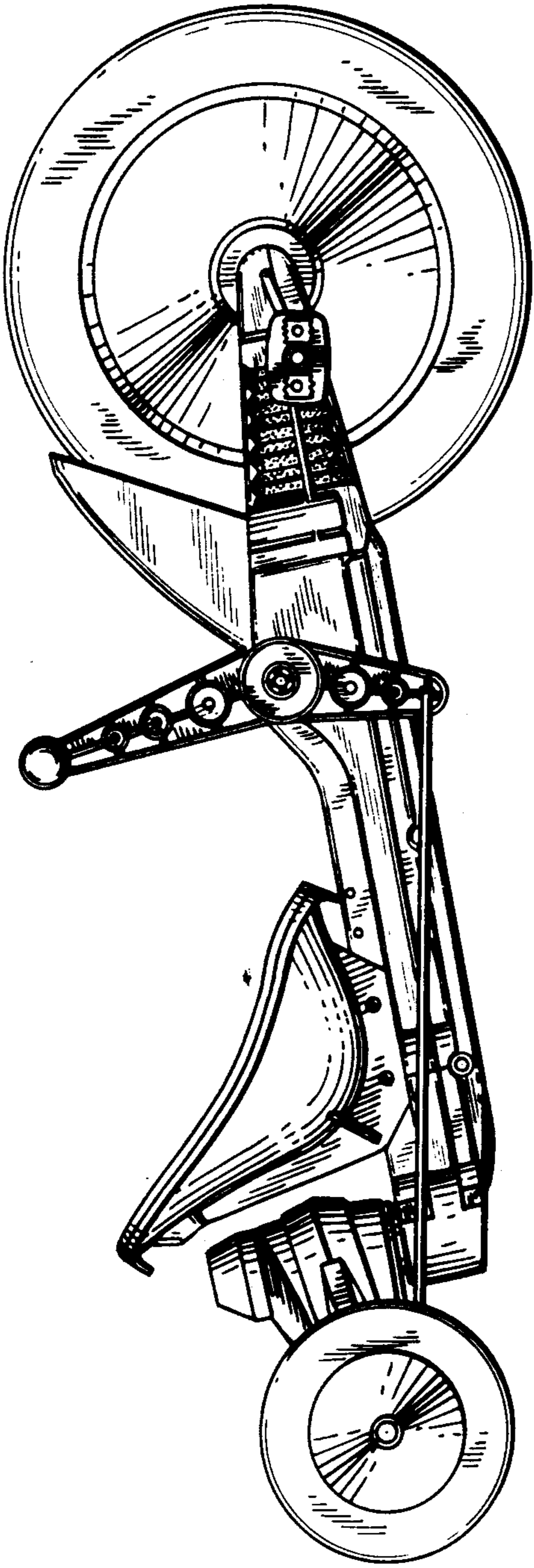


FIG. 2

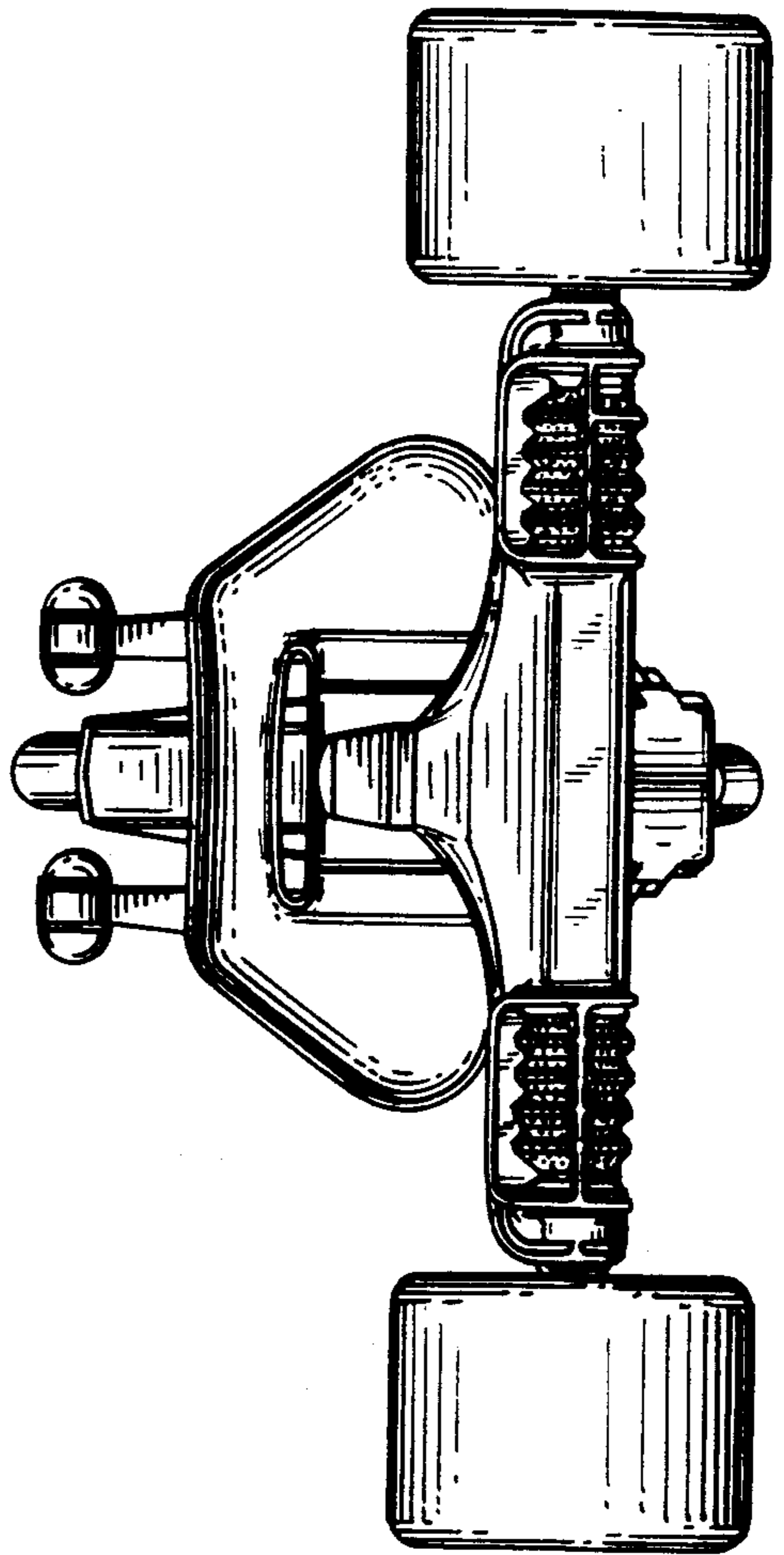


FIG. 3

FIG. 4

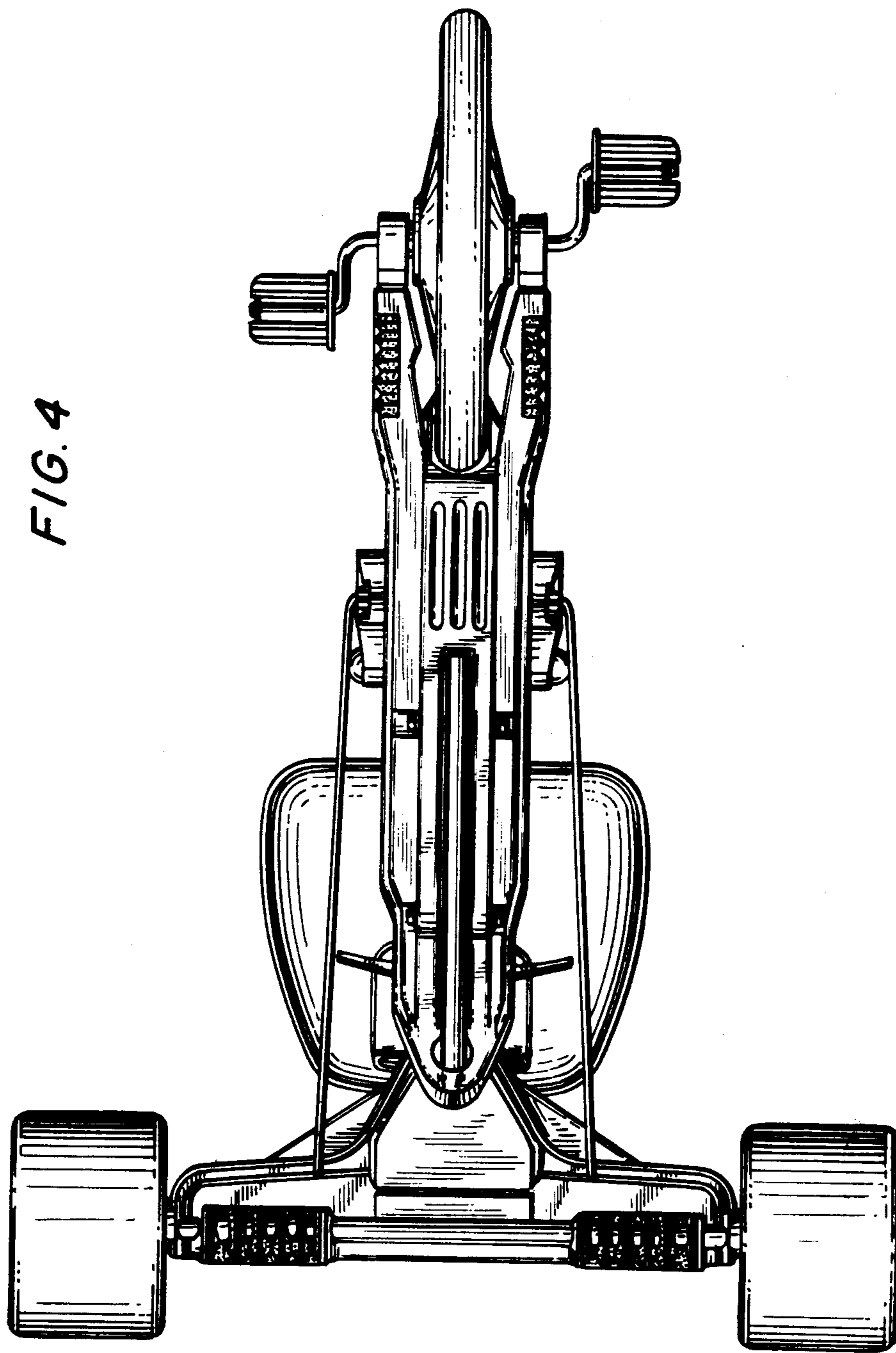


FIG. 5

