

[54] POTTERS WHEEL

[76] Inventor: Paul E. Soldner, P.O. Box 90, Aspen, Colo. 81611

[\*\*] Term: 14 Years

[21] Appl. No.: 905,797

[22] Filed: May 15, 1978

[51] Int. Cl. .... D15-09

[52] U.S. Cl. .... D15/130

[58] Field of Search ..... D15/122, 127, 130, 199; 425/263, 459

[56] References Cited

U.S. PATENT DOCUMENTS

D. 243,276 2/1977 Soldner ..... D15/130

D. 245,009 7/1977 Ebstein ..... D15/130  
3,995,983 12/1976 Shenker ..... 425/263

Primary Examiner—Wallace R. Burke  
Assistant Examiner—B. J. Bullock  
Attorney, Agent, or Firm—Max L. Wymore

[57] CLAIM

The ornamental design for a potters wheel, as shown.

DESCRIPTION

FIG. 1 is a perspective view of the potters wheel showing my new design;  
FIG. 2 is a front view thereof;  
FIG. 3 is a side view taken from the right of FIG. 1, the side opposite being a mirror image thereof except for the absence of the foot pedal;  
FIG. 4 is a top view thereof; and,  
FIG. 5 is a bottom view thereof.

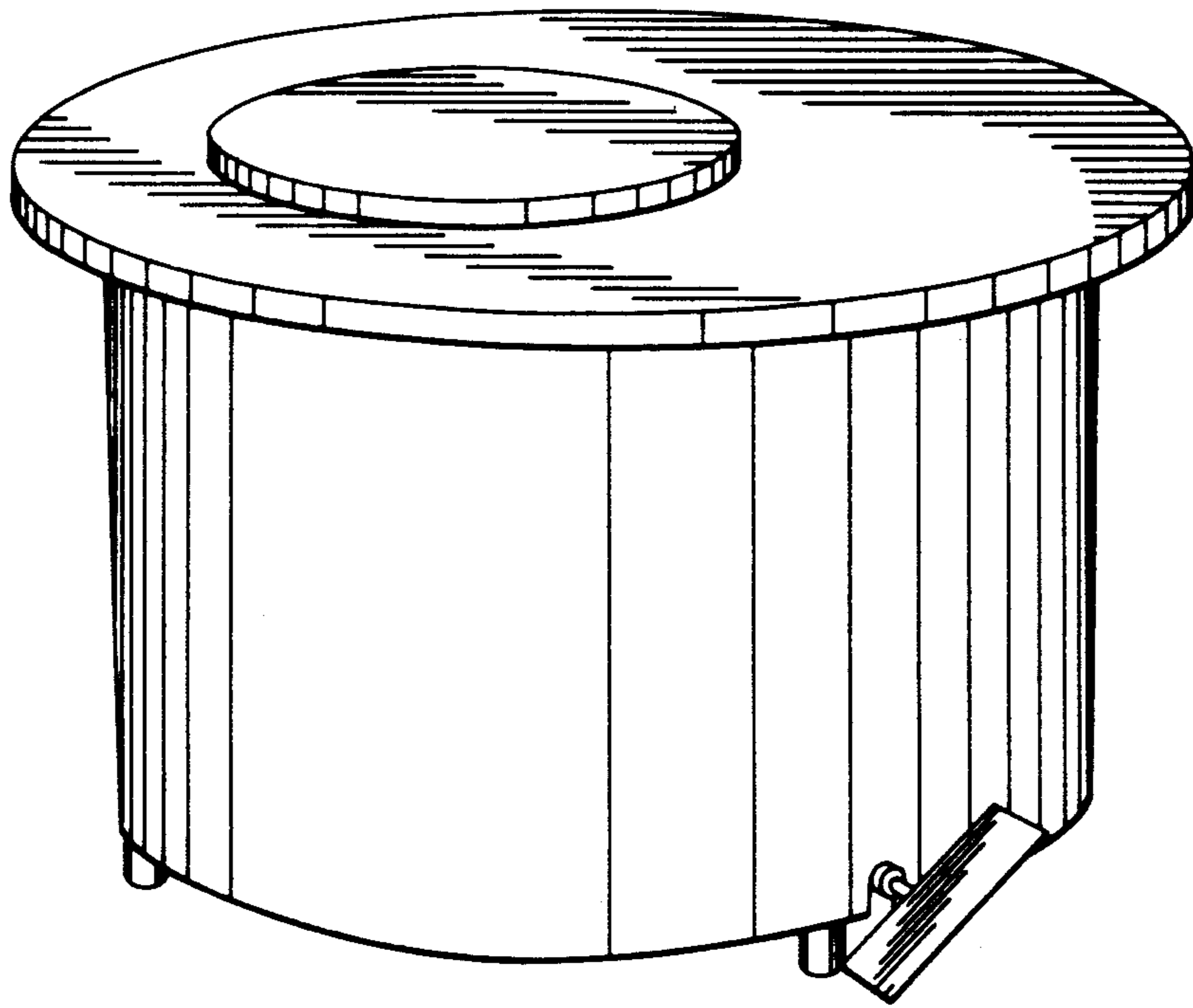


FIG. 1

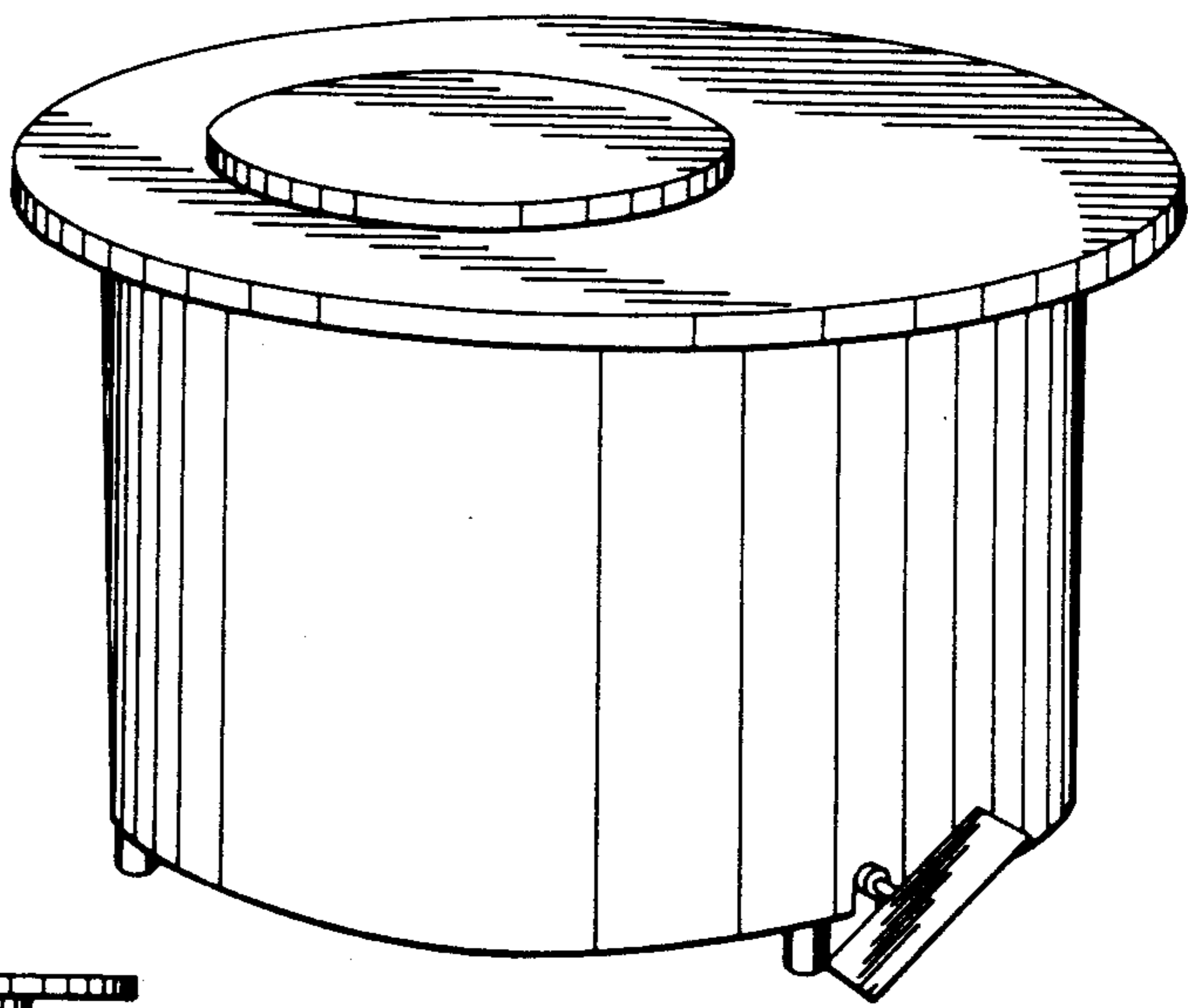


FIG. 2

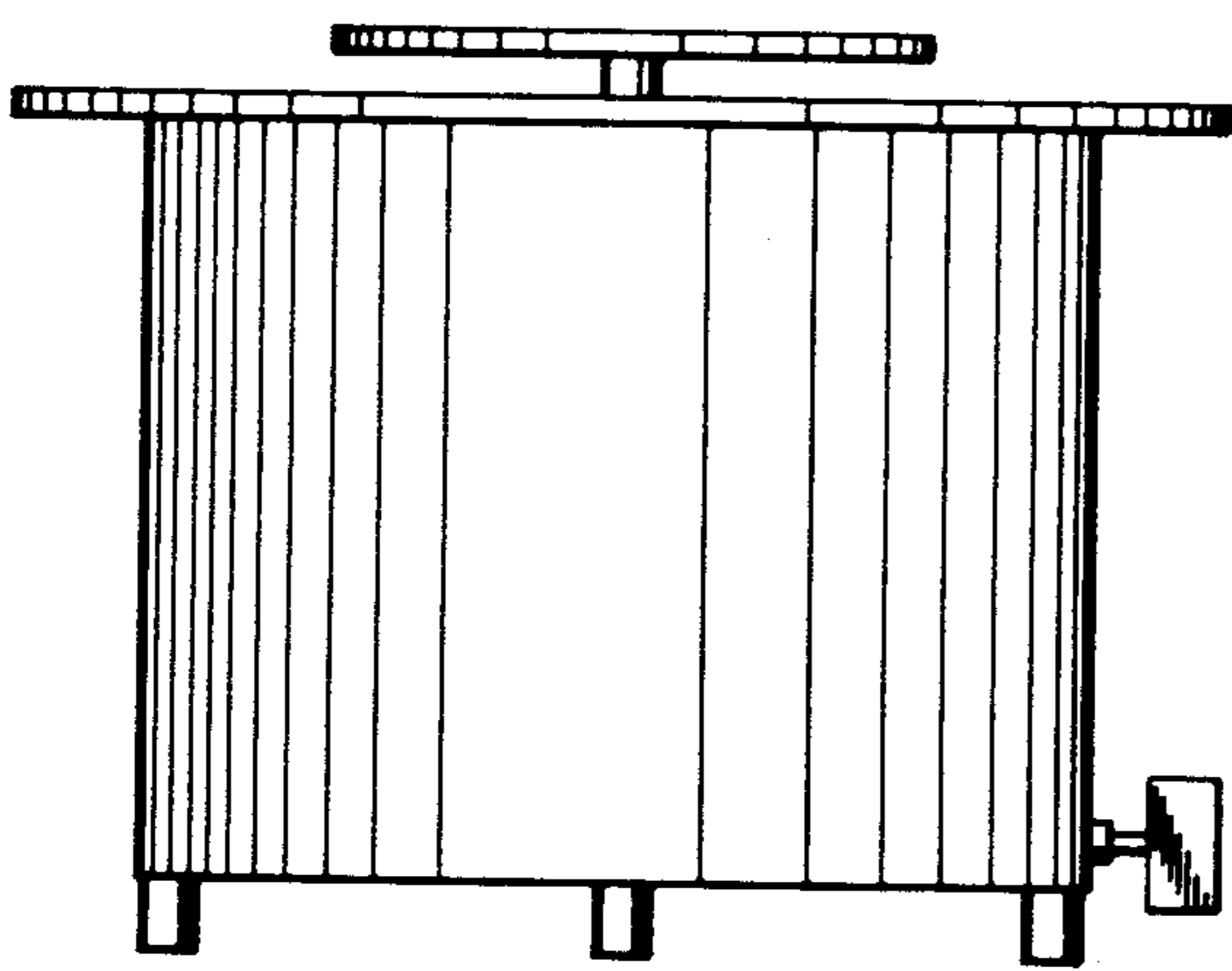


FIG. 3

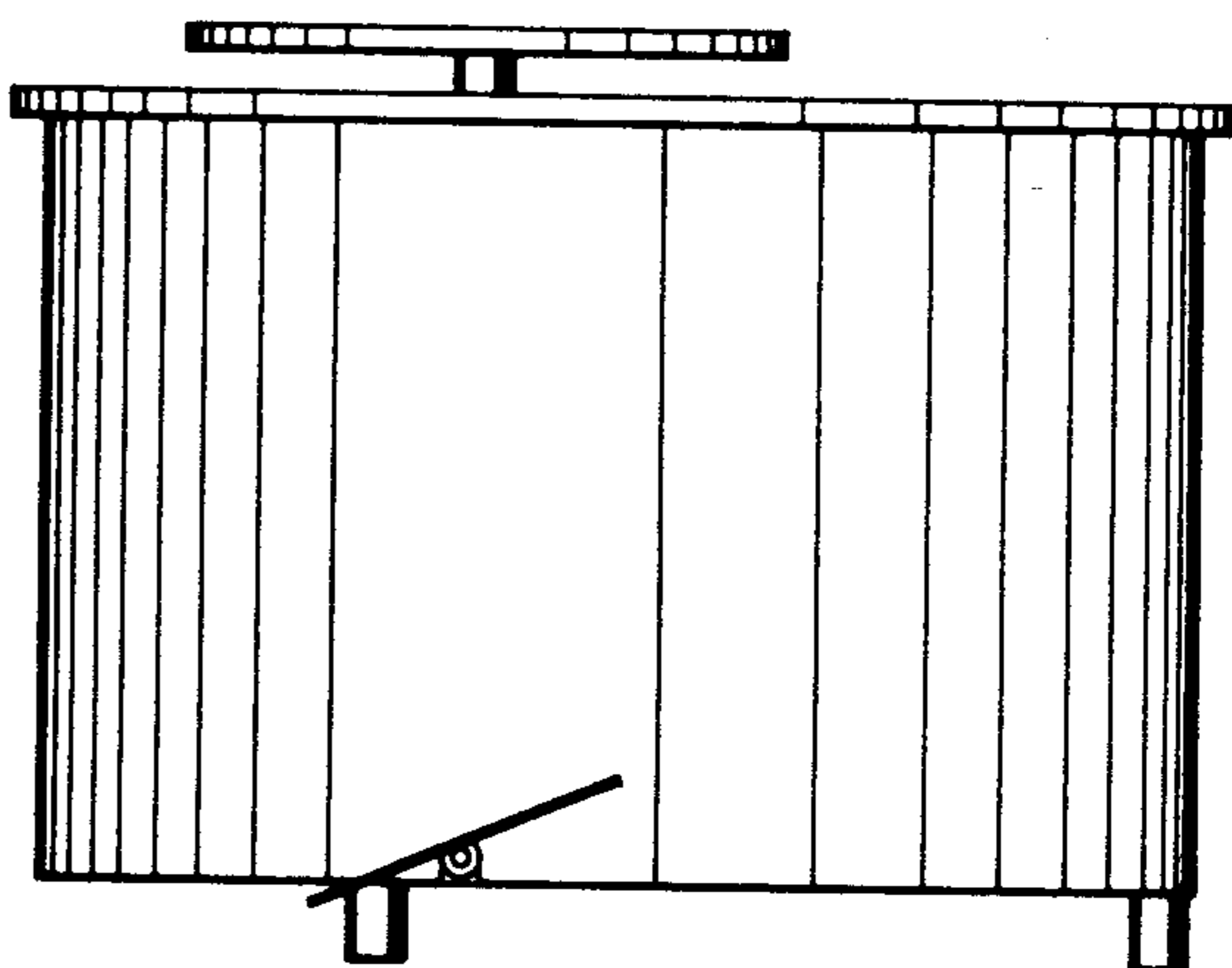


FIG. 4

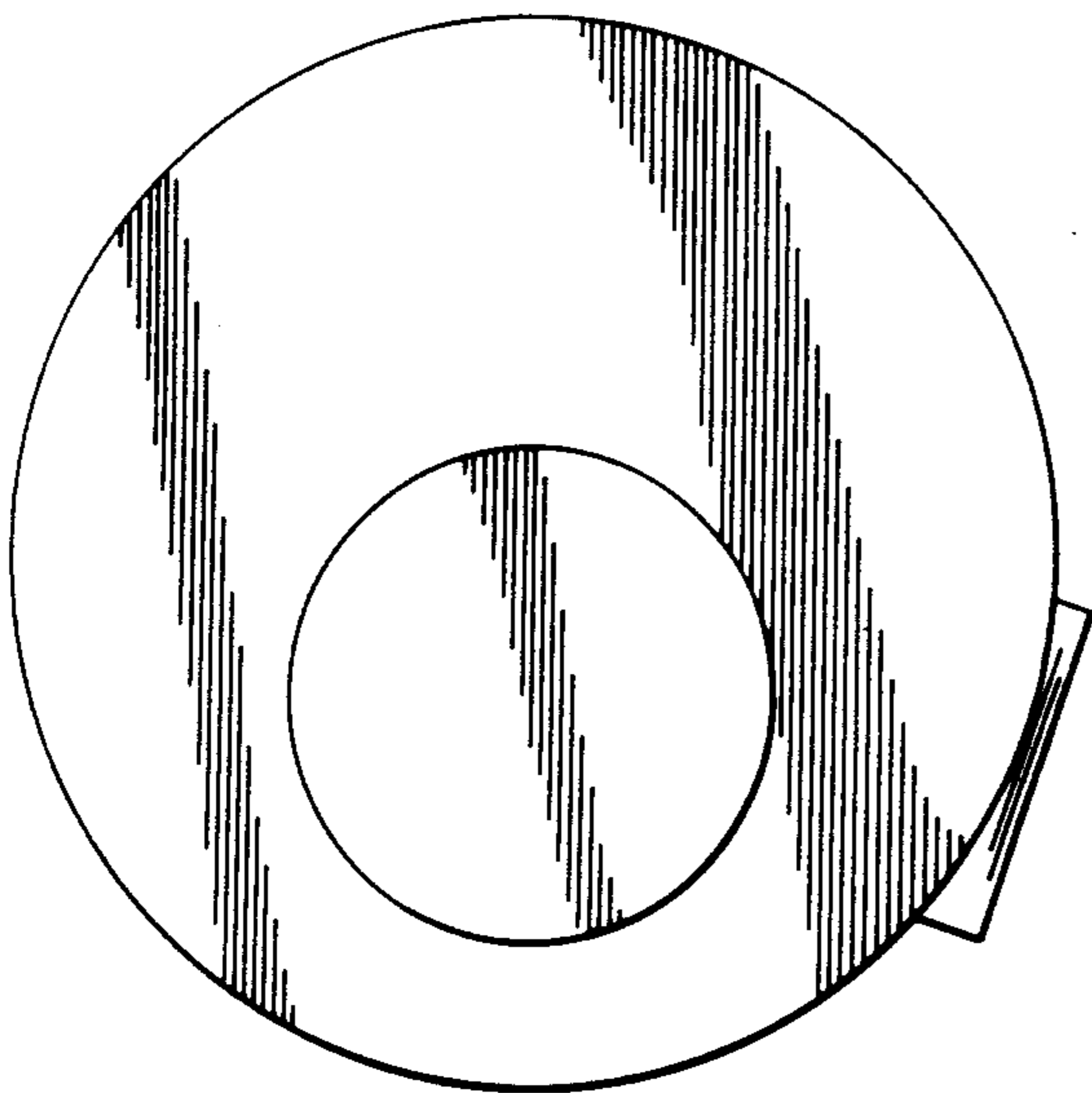


FIG. 5

