

[54] VEHICLE OVERHEAD DISPLAY PANEL

[76] Inventor: Timothy R. Turek, 605 S. Prospect, #206, Redondo Beach, Calif. 90277

[**] Term: 14 Years

[21] Appl. No.: 879,796

[22] Filed: Feb. 21, 1978

[51] Int. Cl. D12-16

[52] U.S. Cl. D12/155

[58] Field of Search D12/155, 192, 195; 296/37.7, 37.8, 37.6, 137 A; 224/42.1 C, 42.42 R

[56] References Cited

U.S. PATENT DOCUMENTS

D. 246,037	10/1977	Kelly	D12/155
D. 247,234	2/1978	Stewart	D12/155
3,773,378	11/1973	Lewis	D12/155

OTHER PUBLICATIONS

J. C. Whitney Catalog, No. 342, P43, Wide Angle Rear View Mirror, second box up from bottom right side of page.

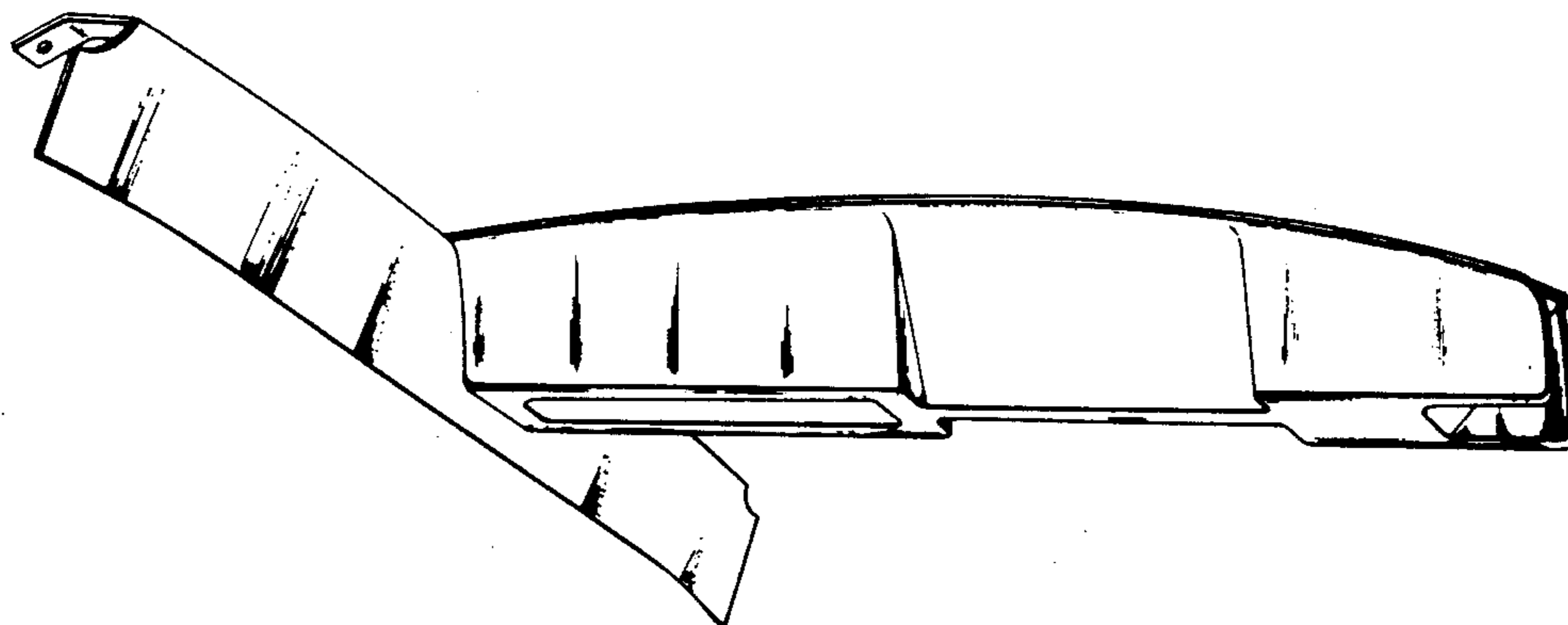
Primary Examiner—James M. Gandy
Attorney, Agent, or Firm—Gerald Singer

[57] CLAIM

The ornamental design for a vehicle overhead display panel, substantially as shown and described.

DESCRIPTION

FIG. 1 is a front perspective view of the vehicle overhead display panel showing my new display panel; FIG. 2 is a left side elevation view thereof; FIG. 3 is a right side elevation view thereof; FIG. 4 is a rear elevation view thereof; FIG. 5 is a front elevation view thereof; FIG. 6 is a top plan view thereof; and FIG. 7 is a bottom plan view thereof.



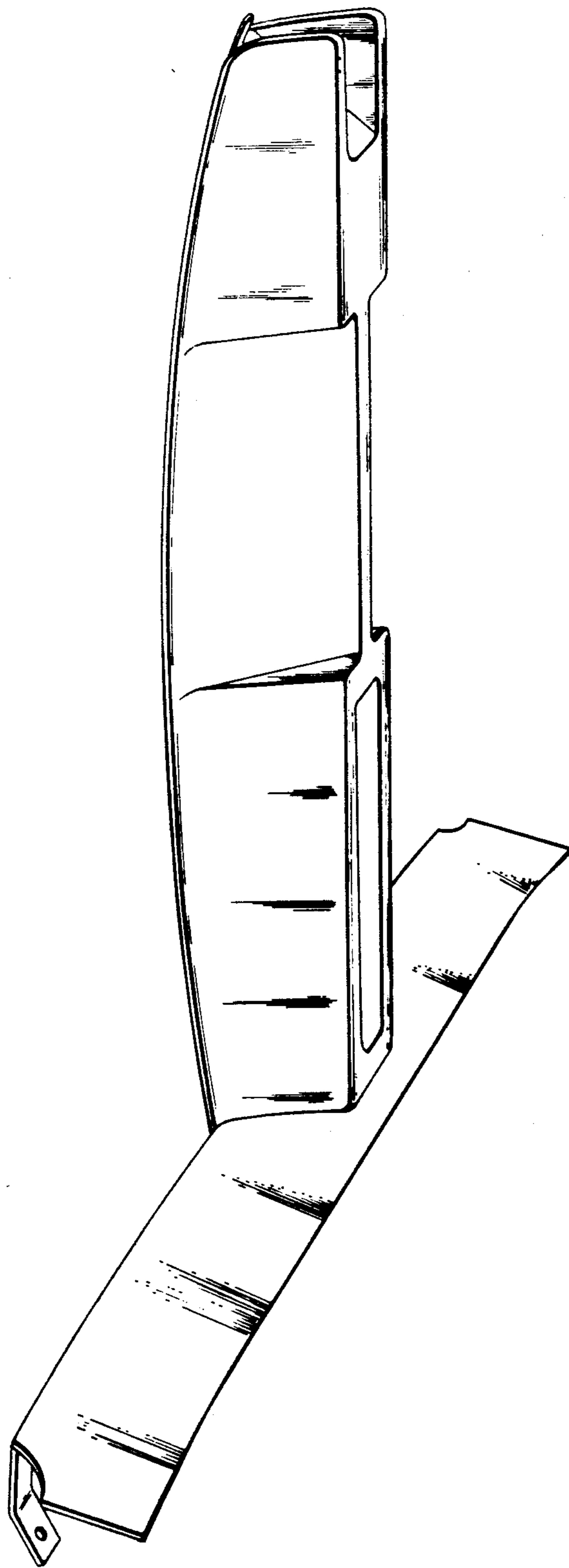


Fig. 1.

Fig. 2.

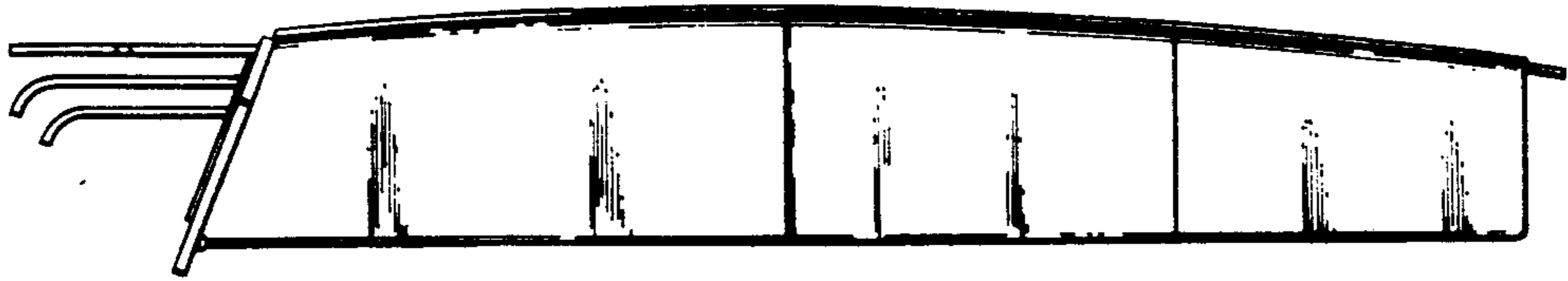


Fig. 3.

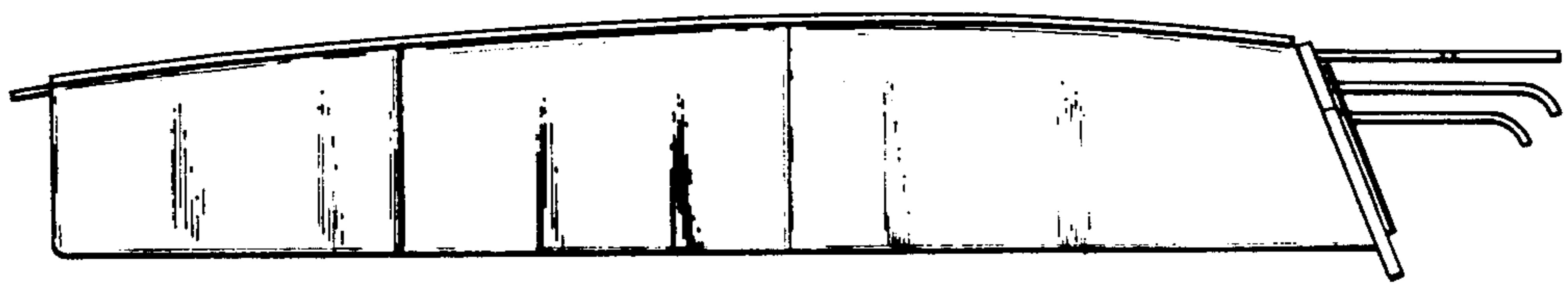
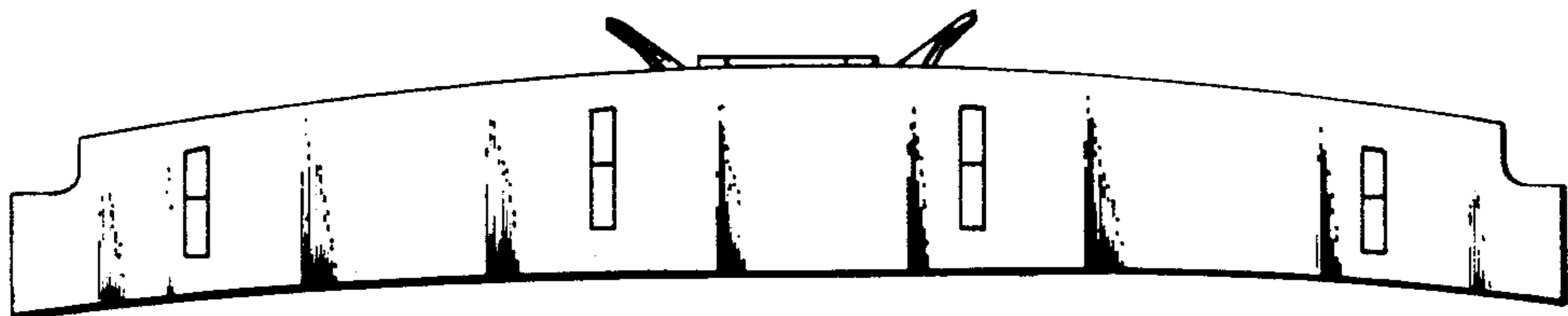


Fig. 4.



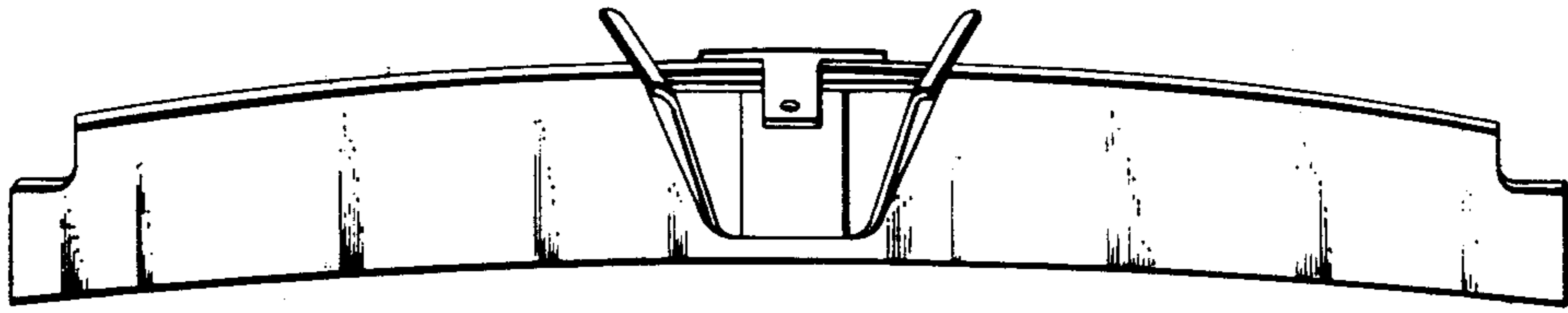


Fig. 5.

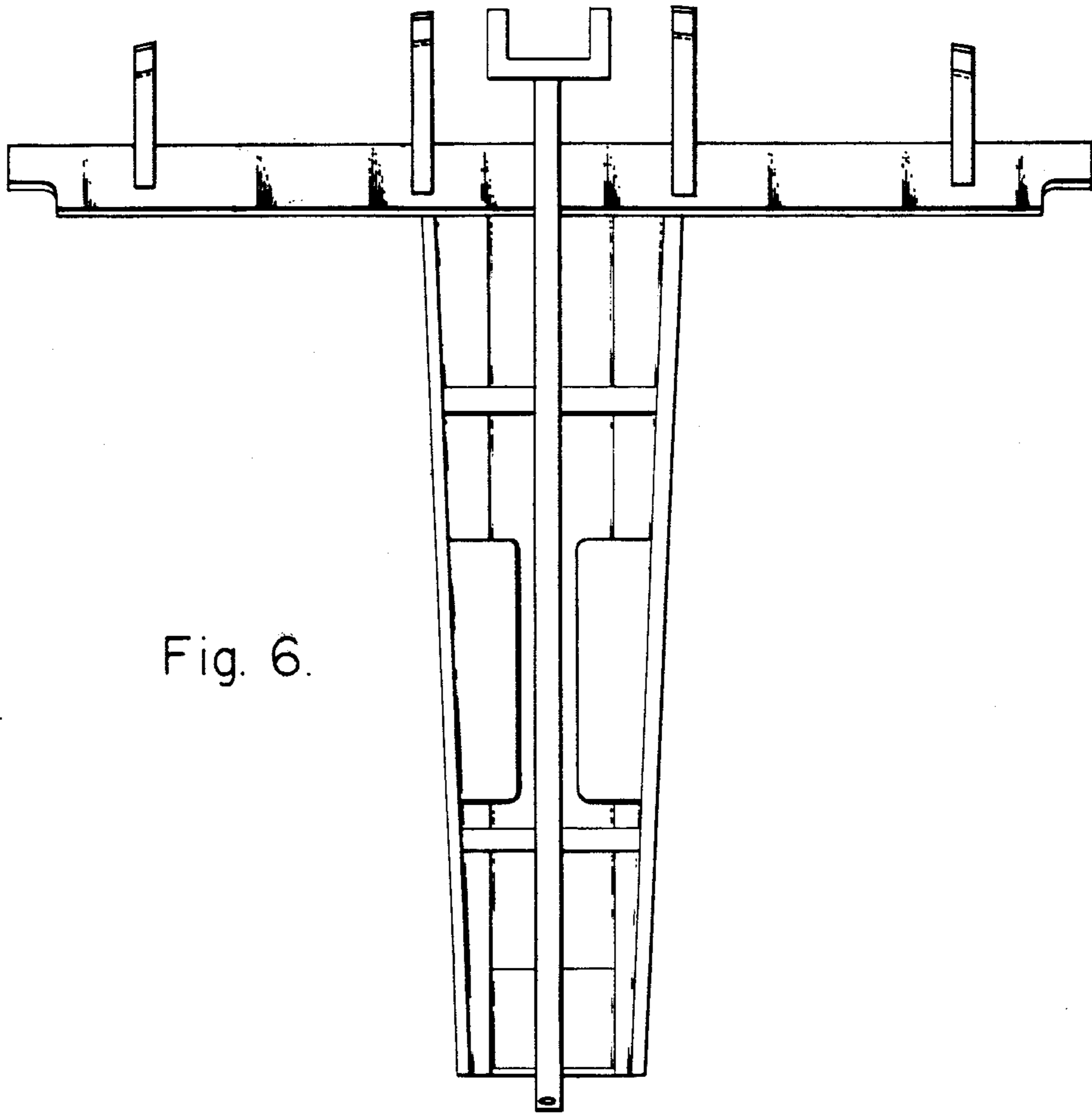


Fig. 6.

Fig. 7.

