

[54] COMMANDO ARMORED PATROL CAR

[56]

References Cited

U.S. PATENT DOCUMENTS

[76] Inventor: James M. Bemiss, 24617 Star Valley Dr., St. Clair Shores, Mich. 48080

D. 216,875 3/1970 Bauer D12/12
D. 219,139 11/1970 Bauer D12/12

[**] Term: 14 Years

Primary Examiner—James M. Gandy
Attorney, Agent, or Firm—James H. Bower

[21] Appl. No.: 900,464

[57] CLAIM

The ornamental design for a commando armored patrol car, as shown and described.

[22] Filed: Apr. 27, 1978

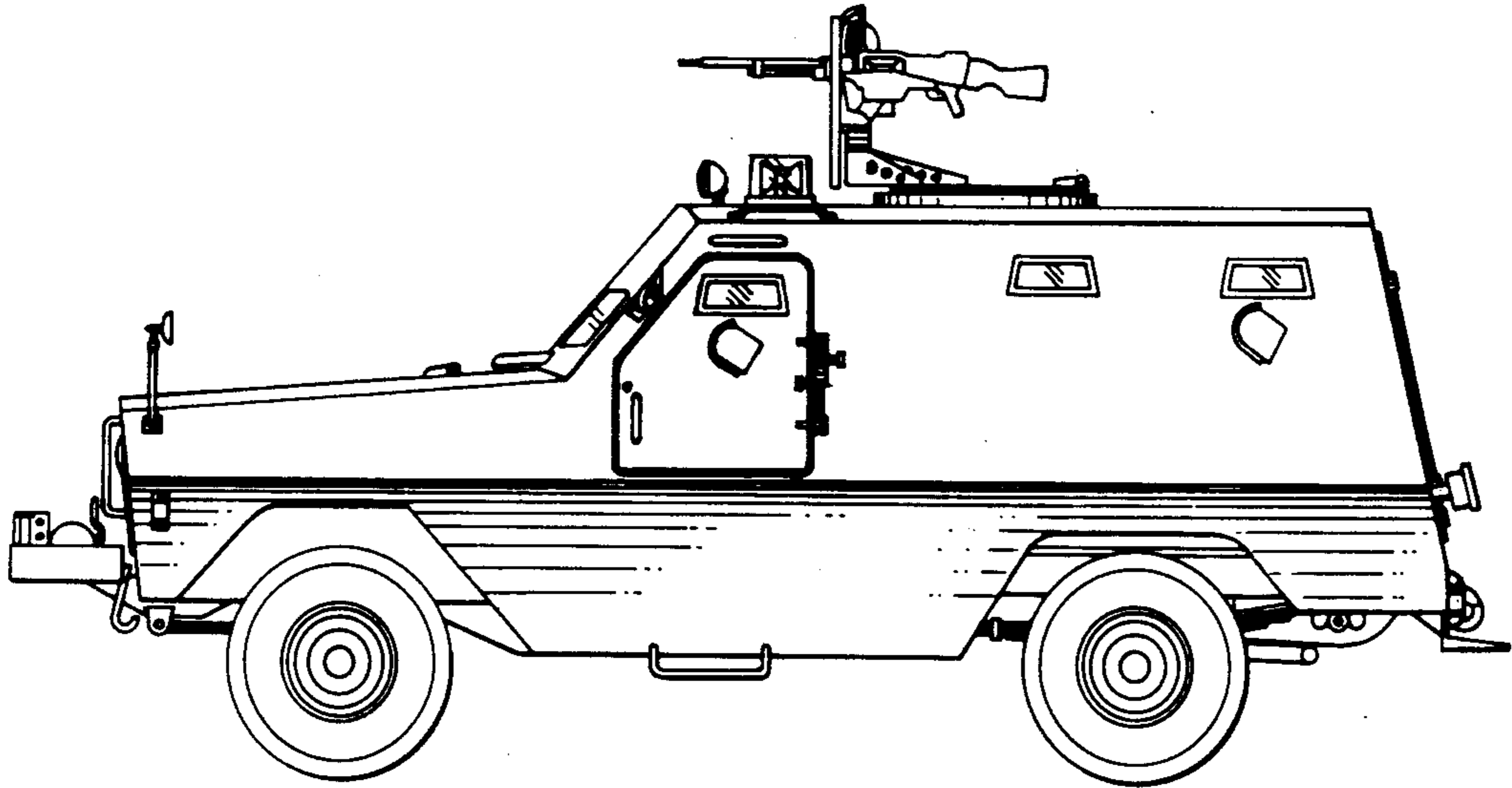
DESCRIPTION

[51] Int. Cl. D12—13

[52] U.S. Cl. D12/12

[58] Field of Search D12/12; D34/15 AJ;
89/40 B, 37

FIG. 1 is a left side elevational view of a commando armored patrol car showing my new design, the right side being substantially a mirror image thereof; FIG. 2 is a rear elevational view thereof; FIG. 3 is a top plan view thereof with the gun and mounting assembly in an alternate position; and FIG. 4 is a front elevational view thereof.



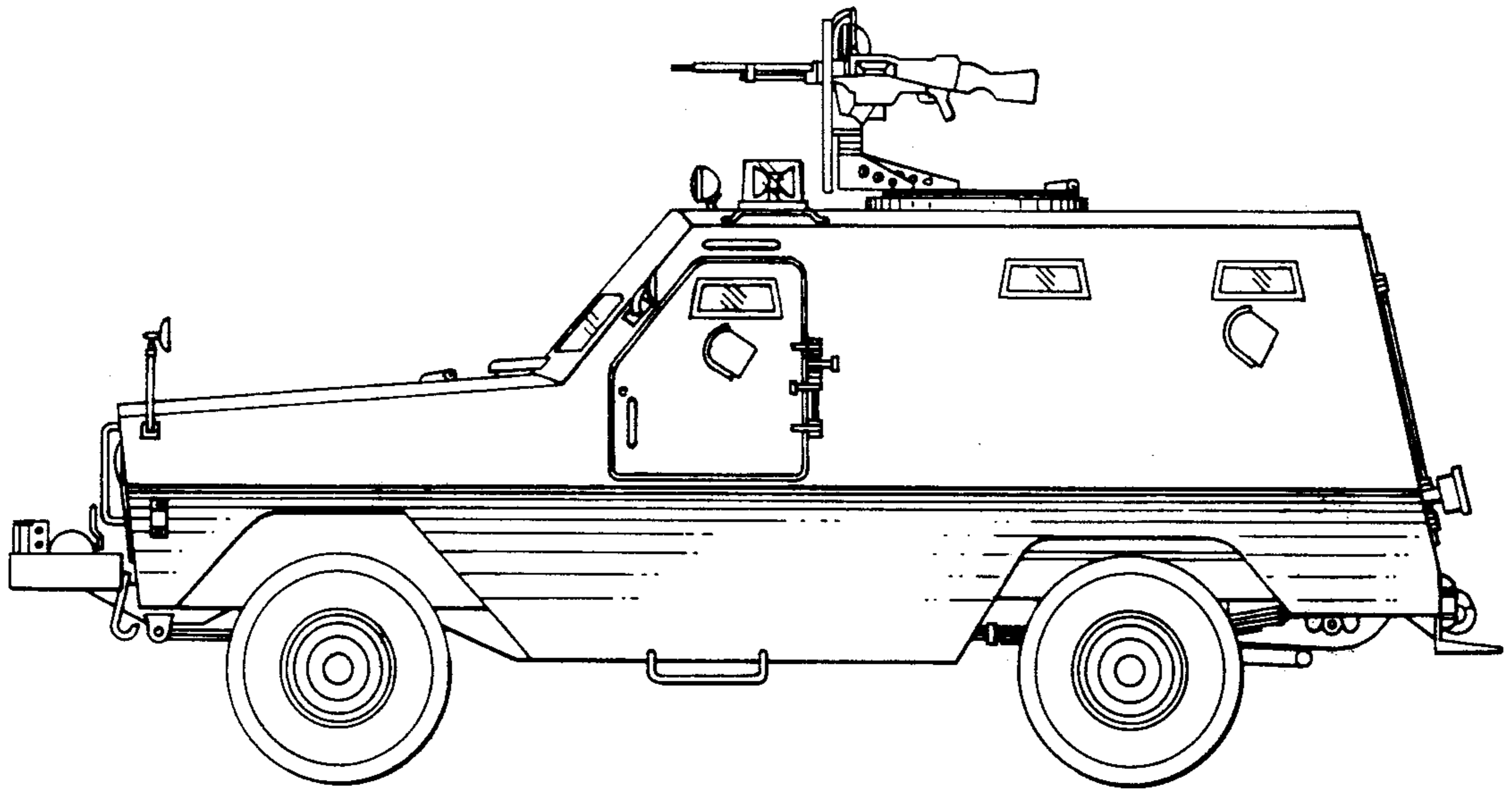


FIG.1

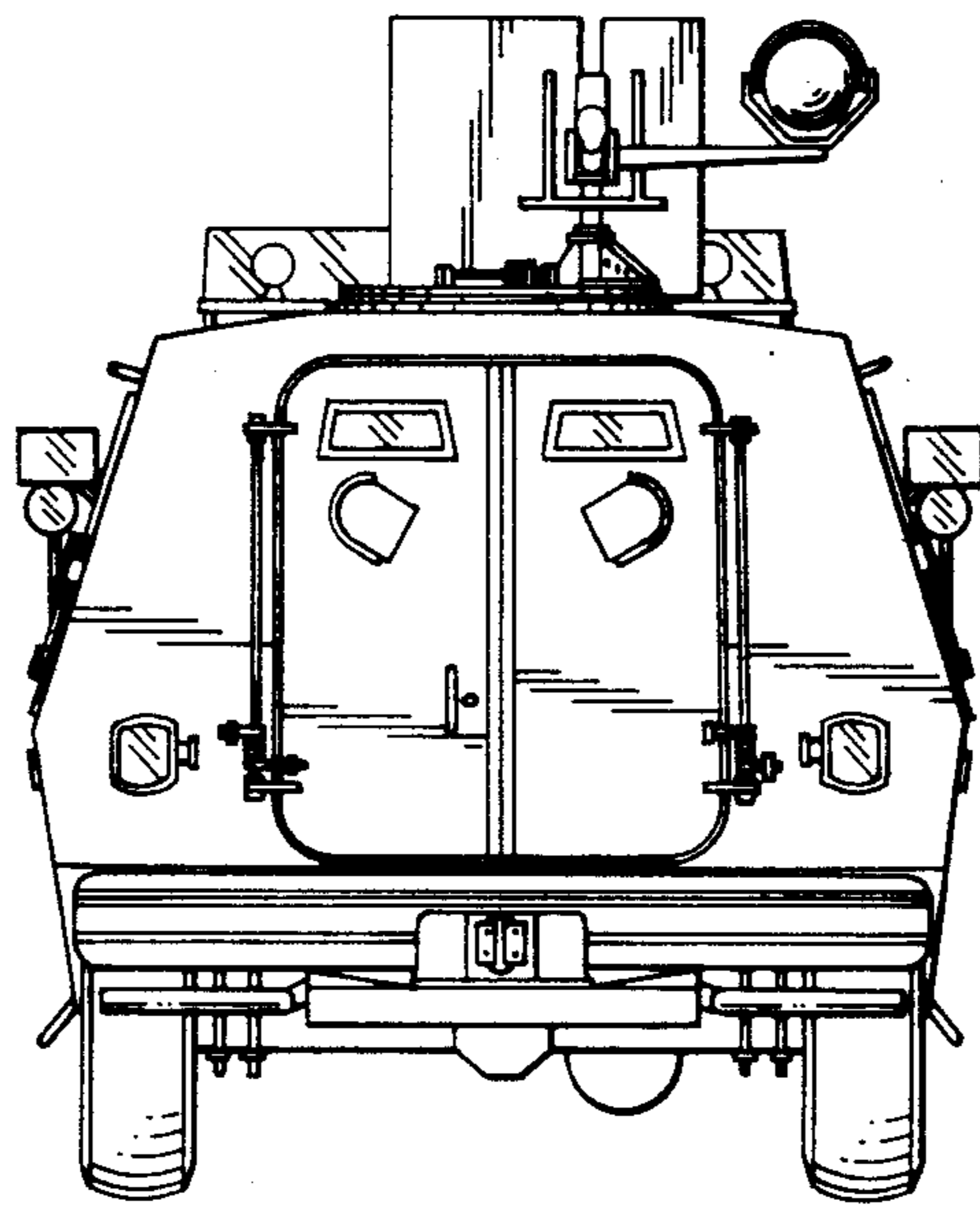


FIG.2

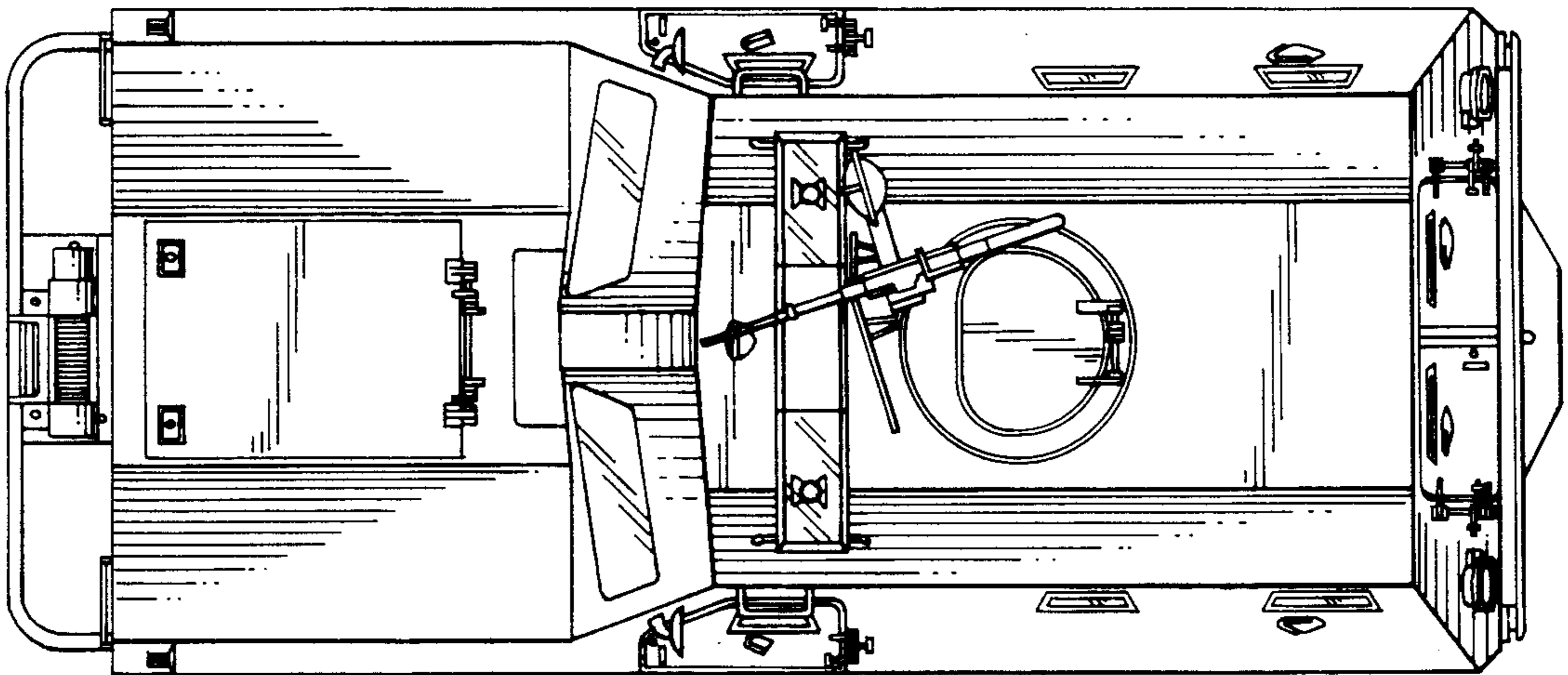


FIG. 3

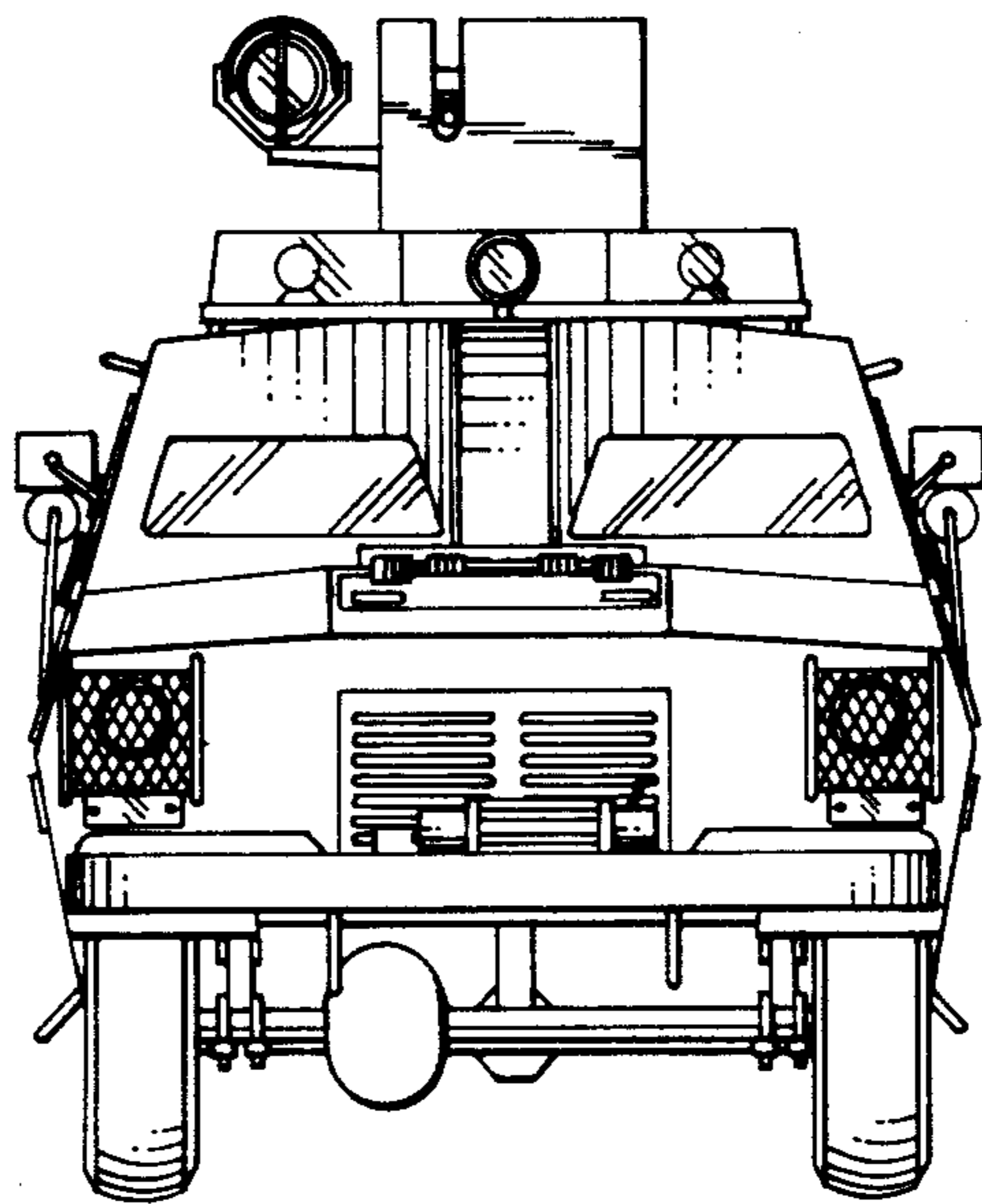


FIG. 4