

- [54] SERVING TONGS OR THE LIKE
- [75] Inventor: Robert H. C. M. Daenen, Hekelgem, Belgium
- [73] Assignee: Dart Industries Inc., Los Angeles, Calif.
- [**] Term: 14 Years
- [21] Appl. No.: 887,262
- [22] Filed: Mar. 16, 1978
- [51] Int. Cl. D7-06
- [52] U.S. Cl. D7/105; D7/138; D7/148
- [58] Field of Search D7/99, 105, 104, 102, D7/149, 148, 152, 140, 138; 294/8.5, 16, 33, 99 R; 30/322, 324, 344

- [56] **References Cited**
- U.S. PATENT DOCUMENTS**
- D. 144,310 4/1946 Moore D7/105
- D. 186,328 10/1959 Holland D7/105

D. 187,937	5/1960	Polk	D7/105
D. 193,440	8/1962	Vernon	D7/105
D. 247,153	2/1978	Julius	D7/152 X
1,643,456	9/1927	James	D7/104 X
1,948,880	2/1934	Hamm	30/324 X

FOREIGN PATENT DOCUMENTS

2551501 10/1977 Fed. Rep. of Germany 294/33

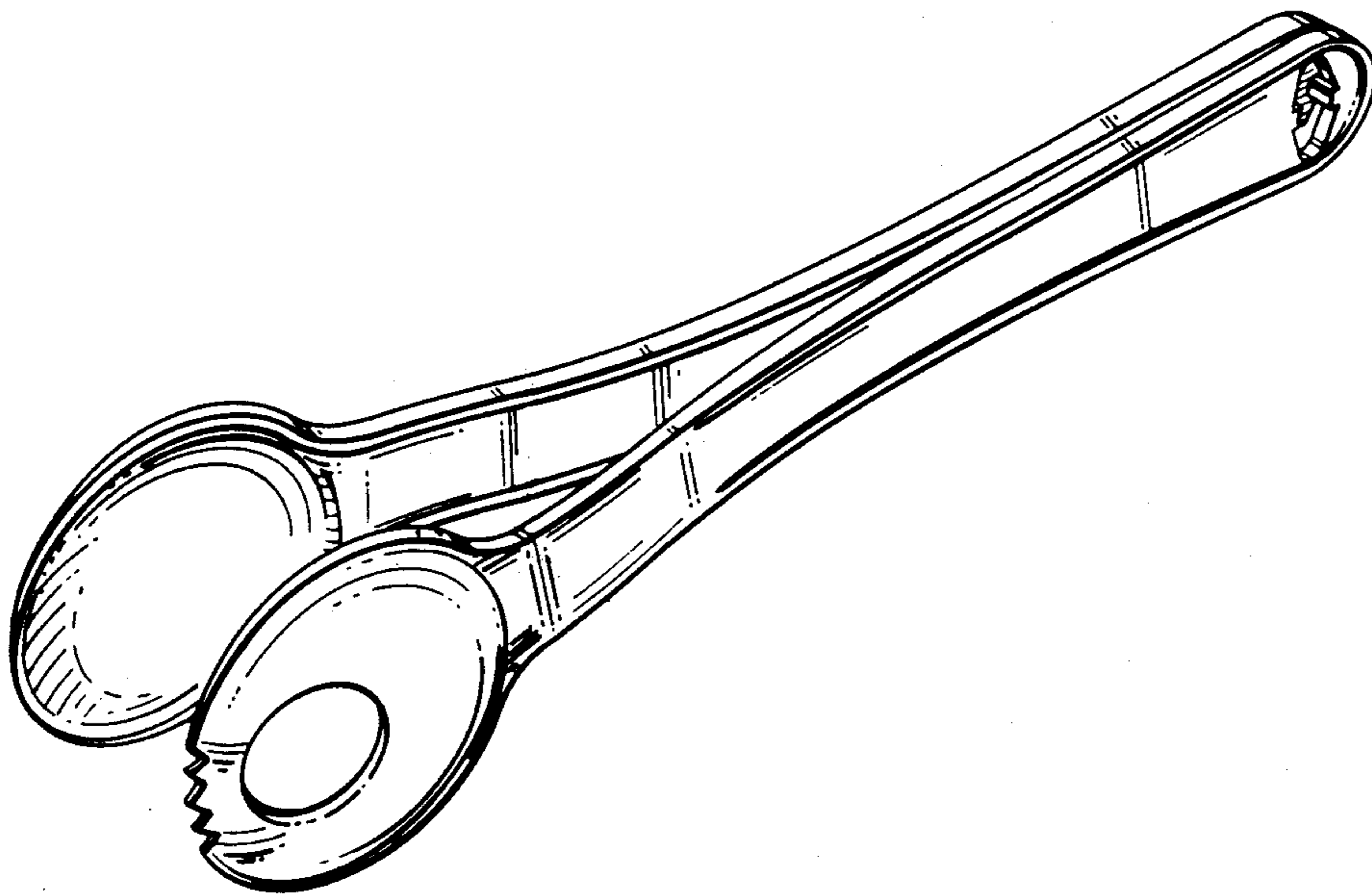
Primary Examiner—Winifred E. Herrmann
Attorney, Agent, or Firm—Leigh B. Taylor

[57] **CLAIM**

The ornamental design for serving tongs or the like, substantially as shown.

DESCRIPTION

FIG. 1 is a perspective view of the serving tongs or the like embodying my ornamental design;
FIG. 2 is a side elevational view thereof;
FIG. 3 is a top plan view thereof;
FIG. 4 is a bottom plan view thereof;
FIG. 5 is a front elevational view thereof;
FIG. 6 is a rear elevational view thereof.



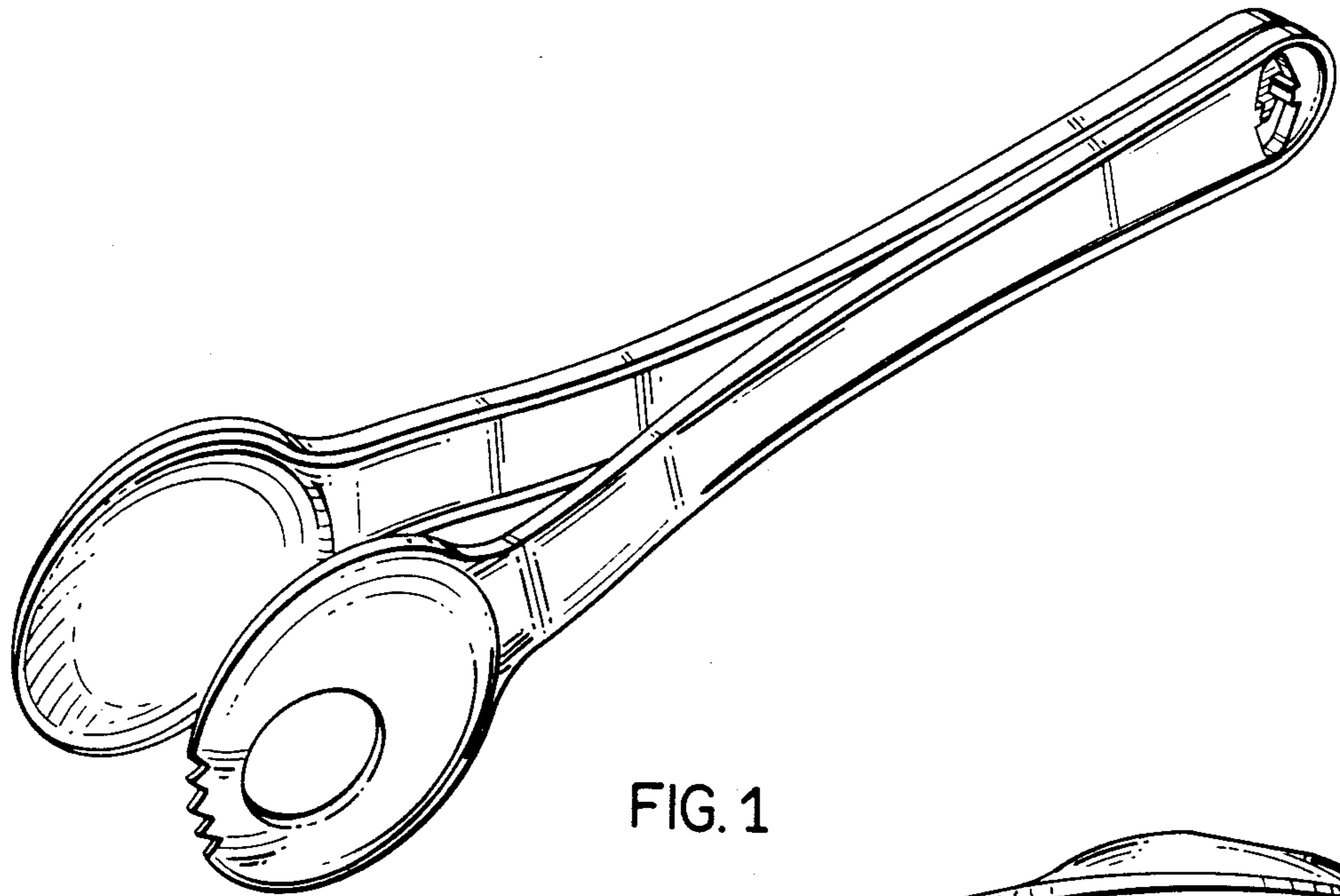


FIG. 1

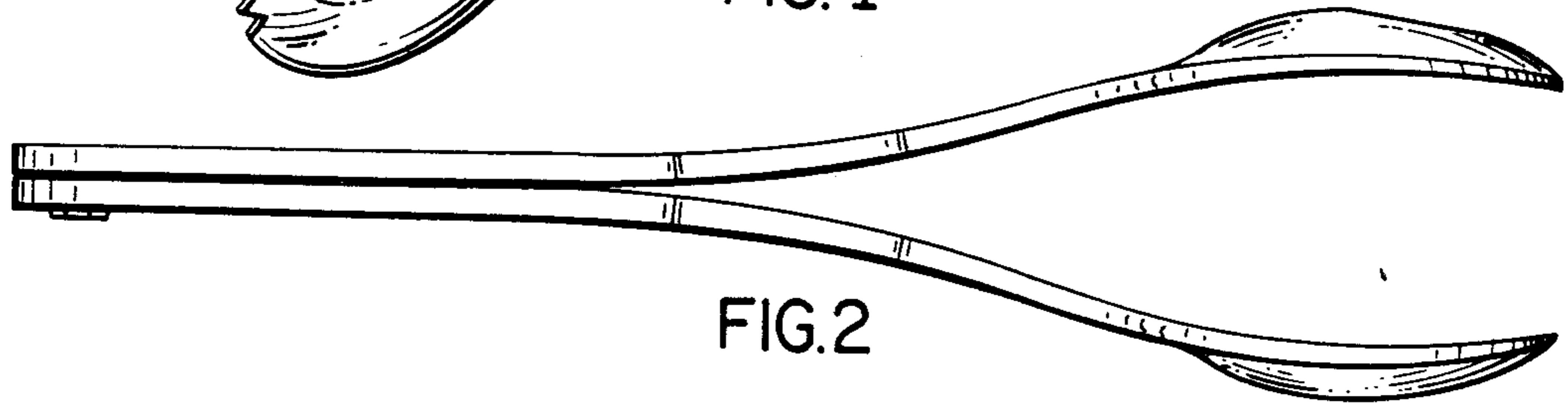


FIG. 2

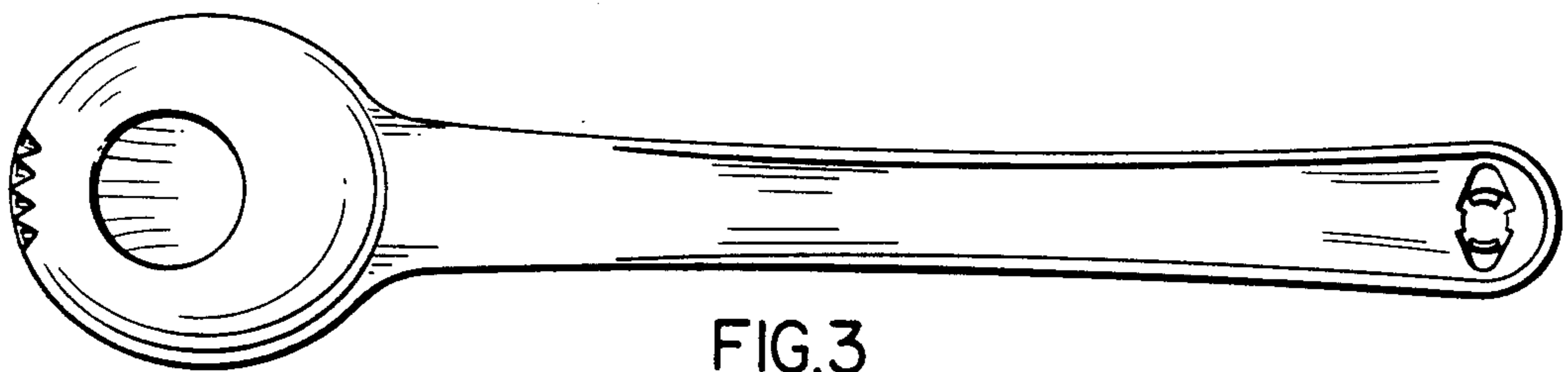


FIG. 3

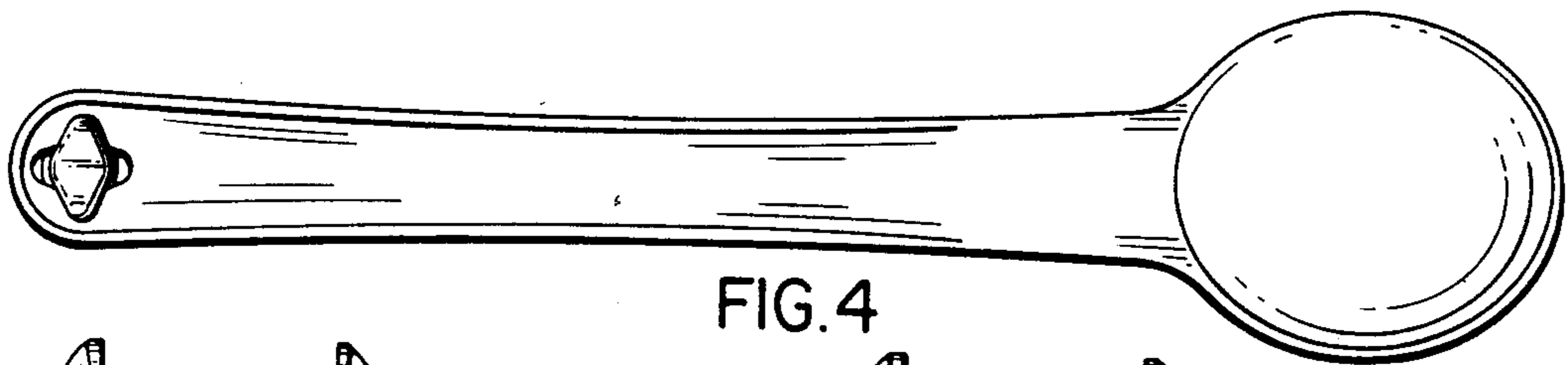


FIG. 4

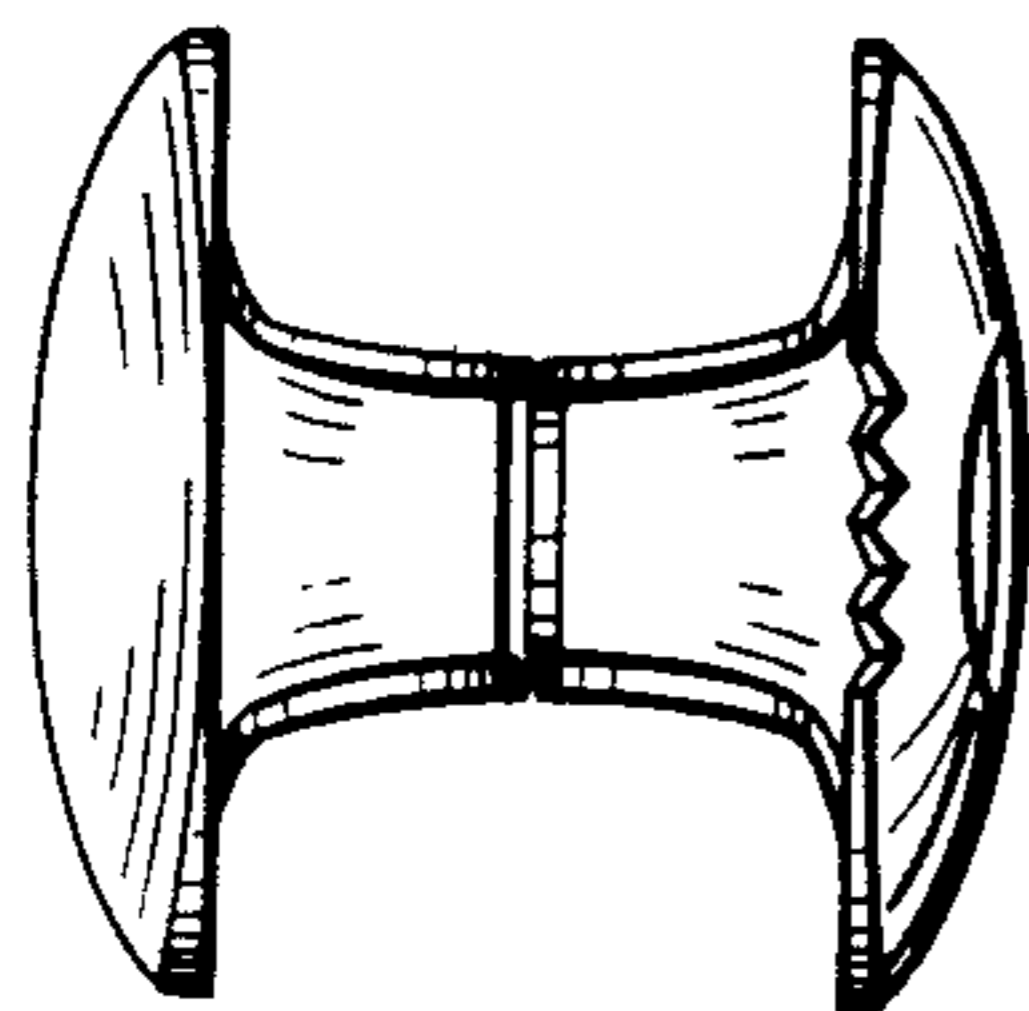


FIG. 5

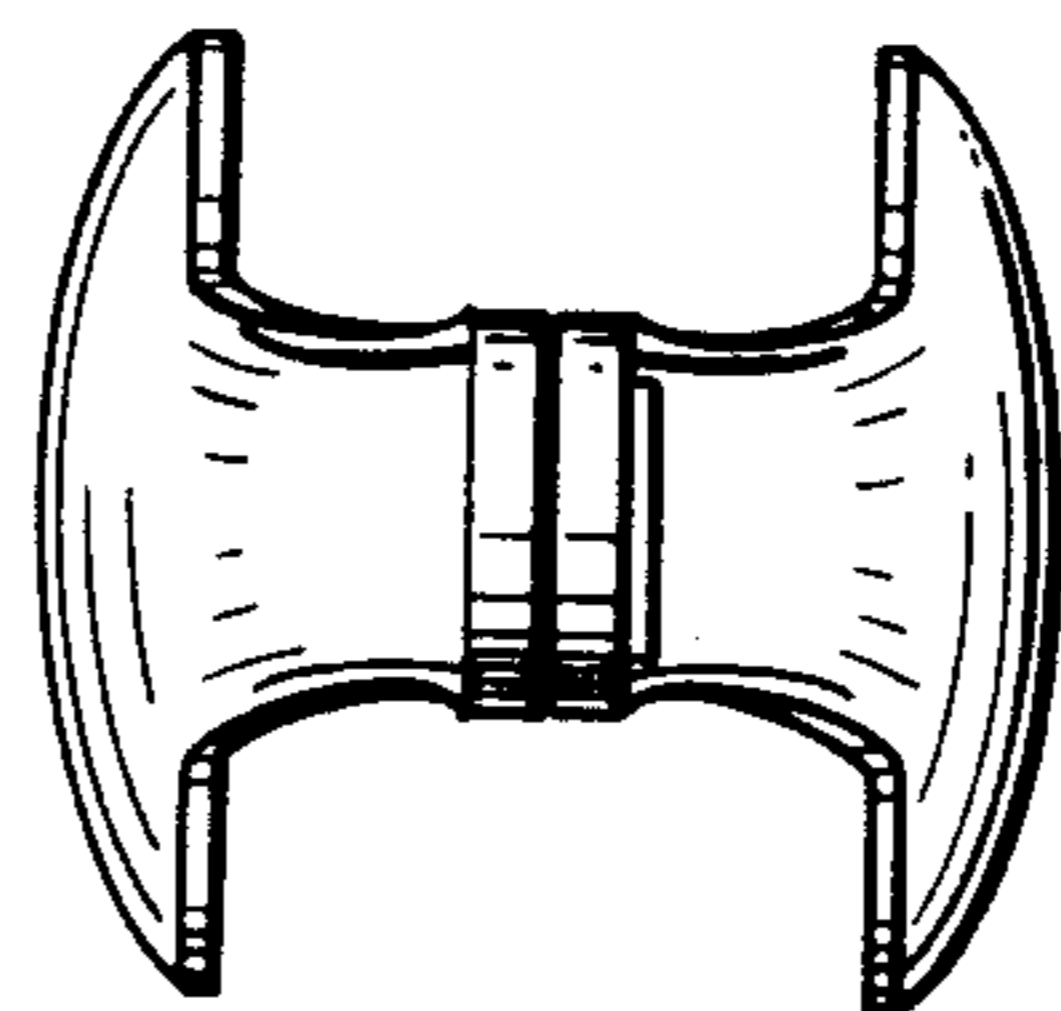


FIG. 6