

[54] FAUCET OR SIMILAR ARTICLE

[75] Inventors: **Dominic A. Saporito**, Fanwood;
Donald M. Genaro, Haworth, both of
N.J.

[73] Assignee: **American Standard Inc.**, New York,
N.Y.

[**] Term: **14 Years**

[21] Appl. No.: **761,157**

[22] Filed: **Jan. 21, 1977**

[51] Int. Cl. **D23-01**

[52] U.S. Cl. **D23/25**

[58] Field of Search **D23/23-32;**
4/191, 192; 137/801

[56] **References Cited**

U.S. PATENT DOCUMENTS

D. 190,791	6/1961	Kohler	D23/26
D. 237,615	11/1975	Saporito et al.	D23/25
2,740,130	4/1956	Stono	4/192

OTHER PUBLICATIONS

Montgomery Ward Fall & Winter Catalog 1975, p. 753,
item No. 3, p. 758, item No. 5.

Wallace-Murray Corp./Eljer Plumbing Div., Form
202, p. 23, top item.

Primary Examiner—James R. Largen

Attorney, Agent, or Firm—James J. Salerno, Jr.

[57] **CLAIM**

The ornamental design for a faucet or similar article,
substantially as shown and described.

DESCRIPTION

FIG. 1 is a perspective view of a lavatory fixture unit
embodying our new design;

FIG. 2 is a side elevational view thereof;

FIG. 3 is a top plan view thereof;

FIG. 4 is a front elevational view thereof;

FIG. 5 is a rear elevational view thereof;

FIG. 6 is a perspective view of a modified form of the
faucet as shown in FIG. 1;

The fragmentary broken line representation of a lava-
tory in FIGS. 1 and 6 are for the purposes of illustration
only.

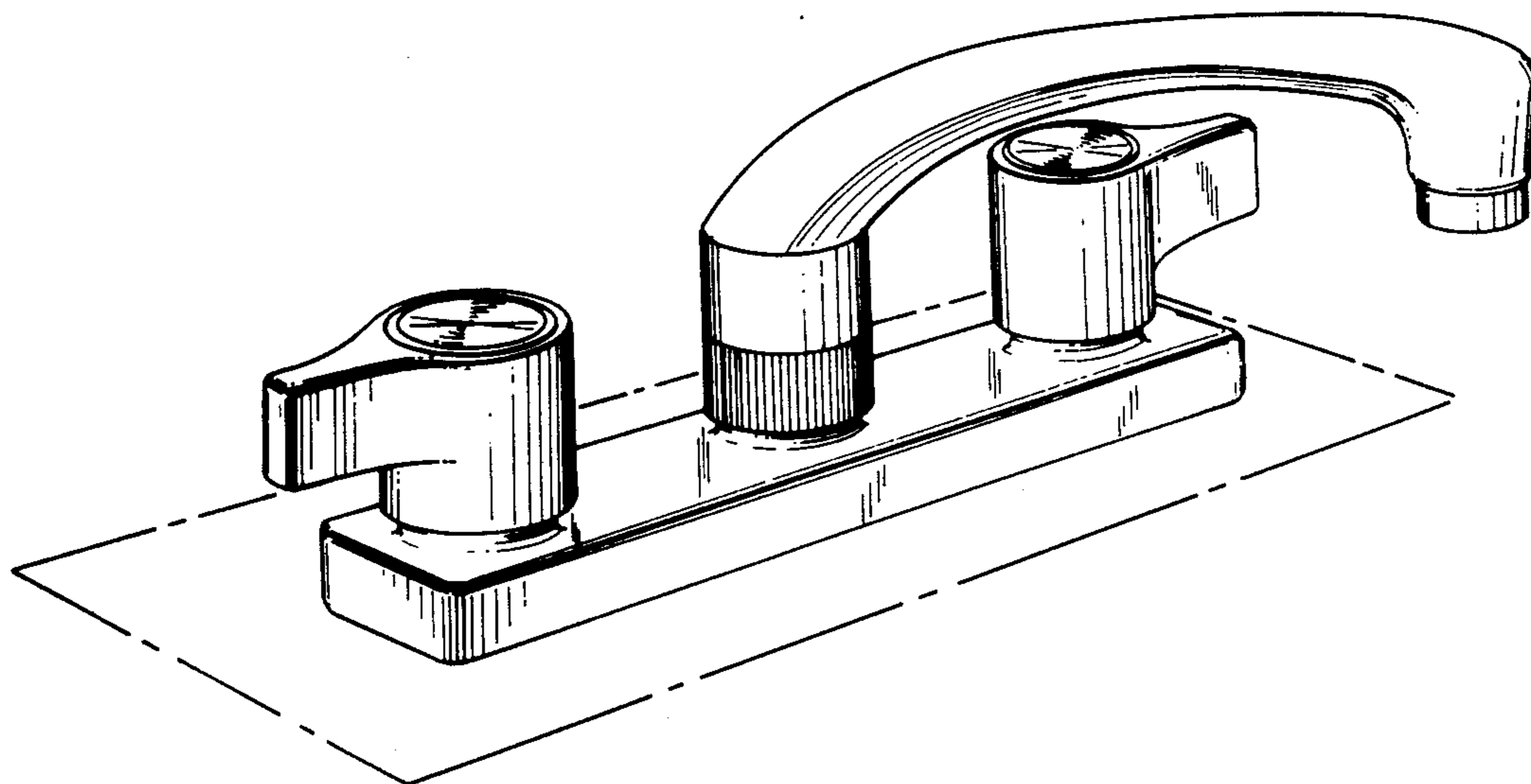


FIG. 1

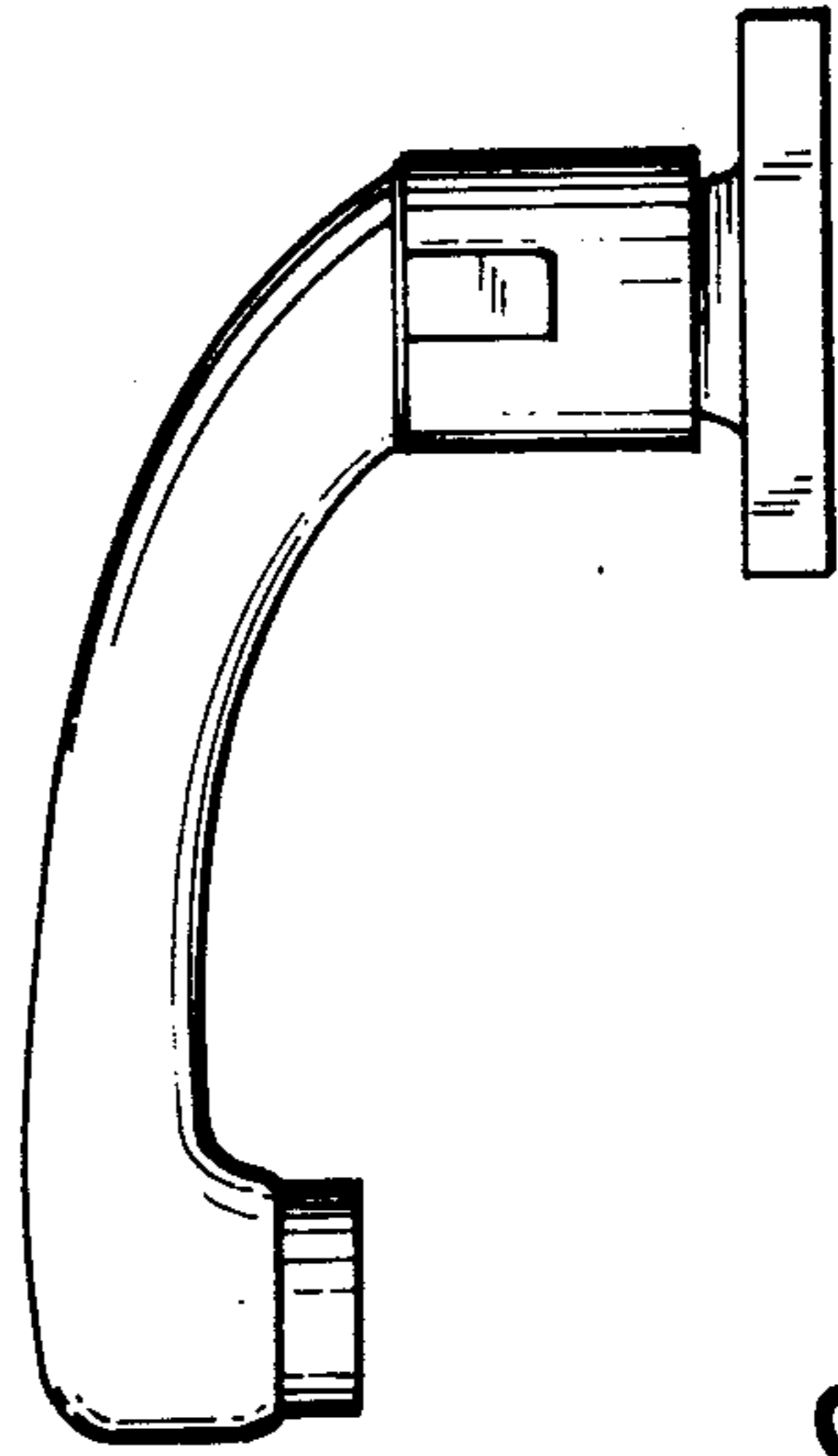
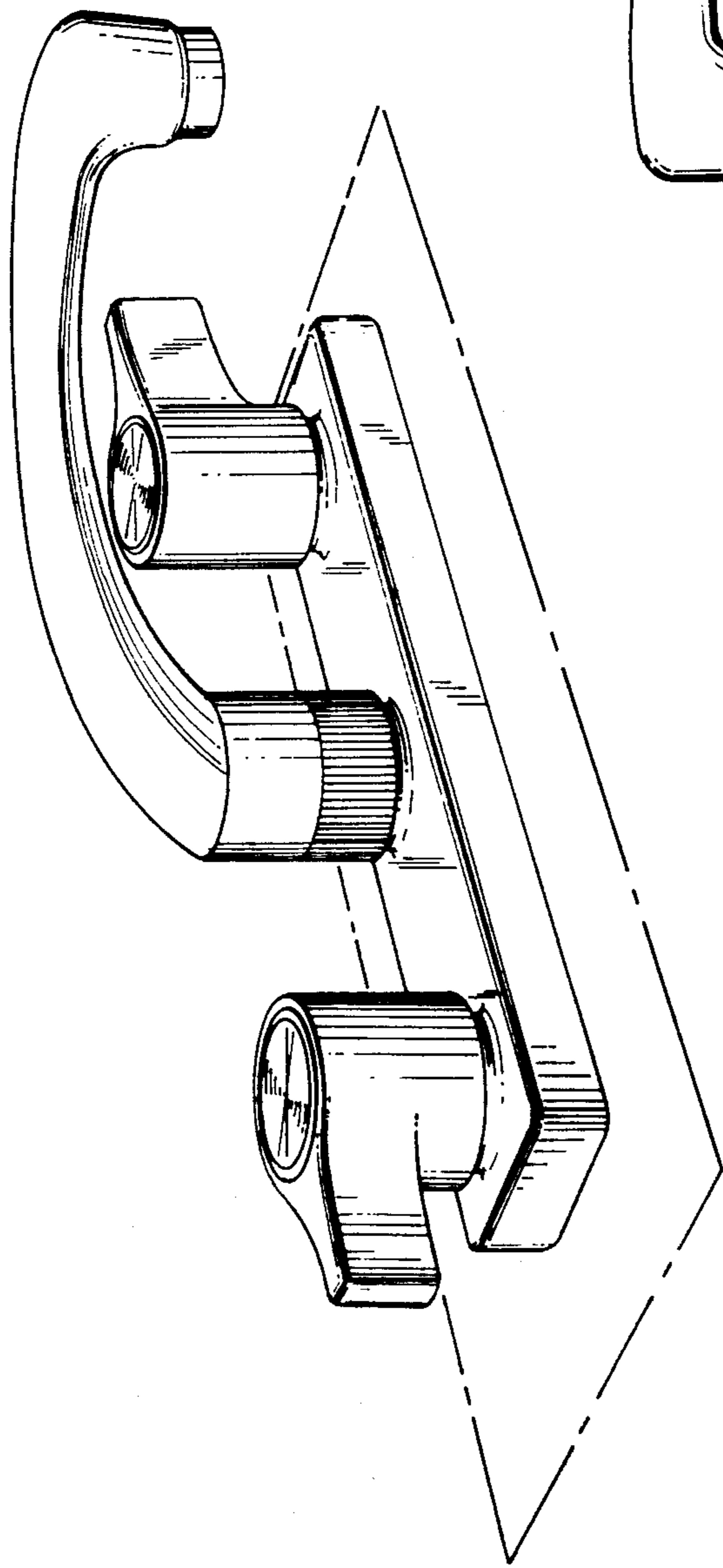


FIG. 2

FIG. 3

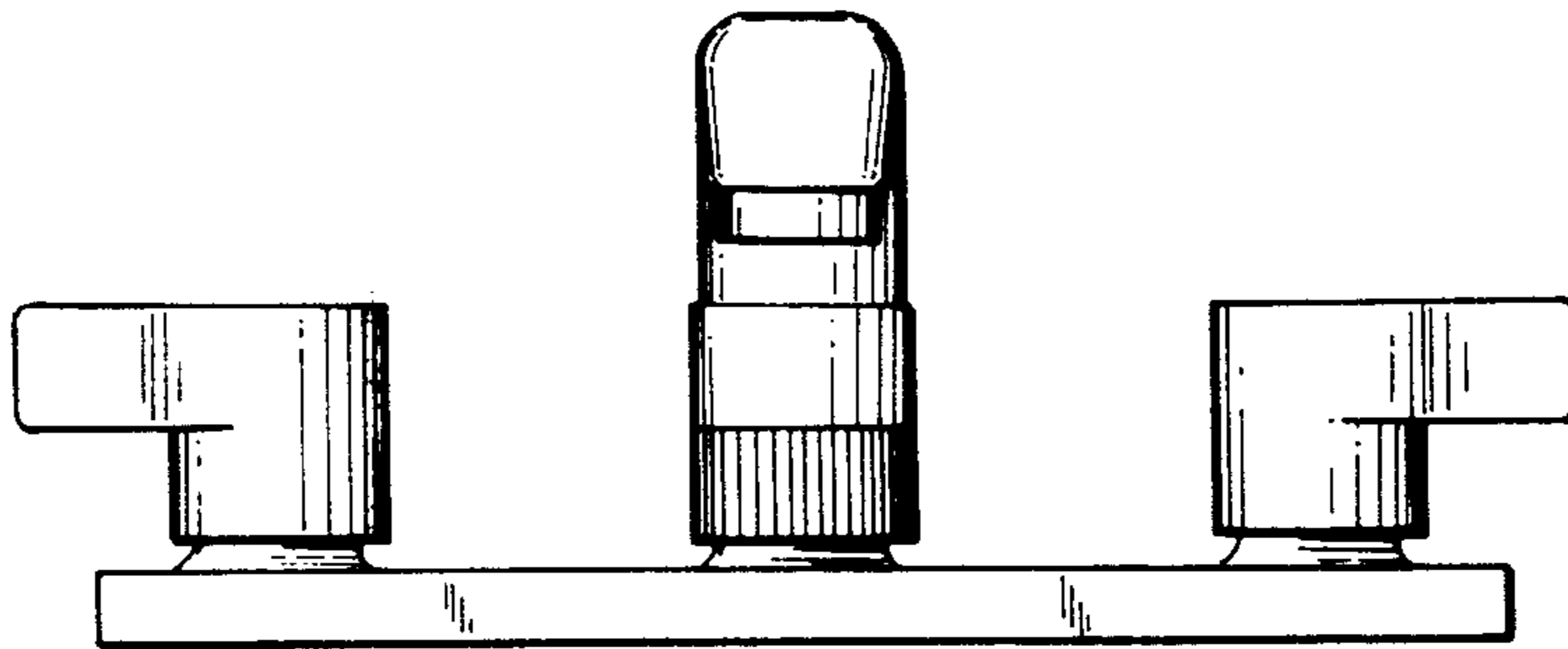
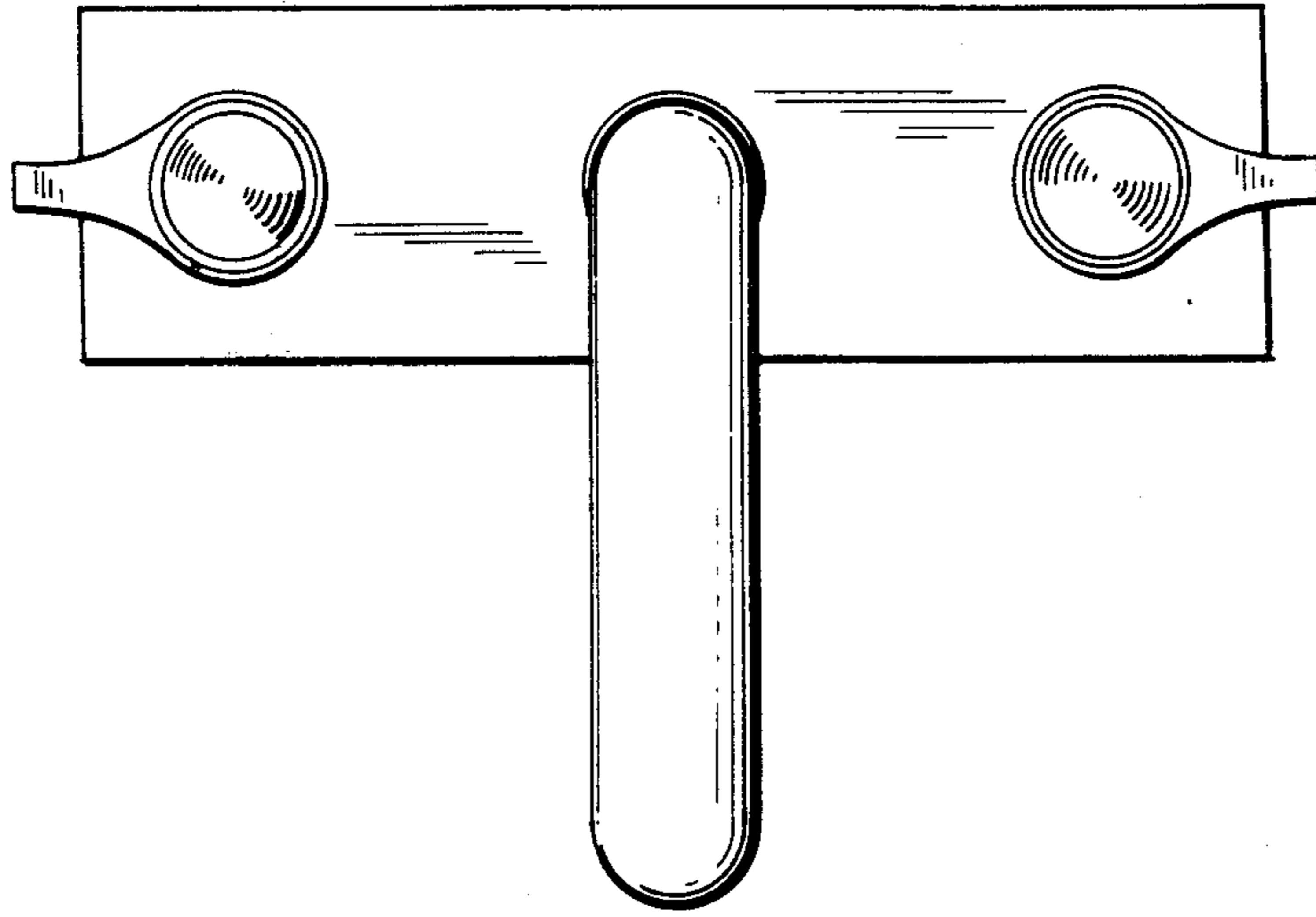


FIG. 4

FIG. 5

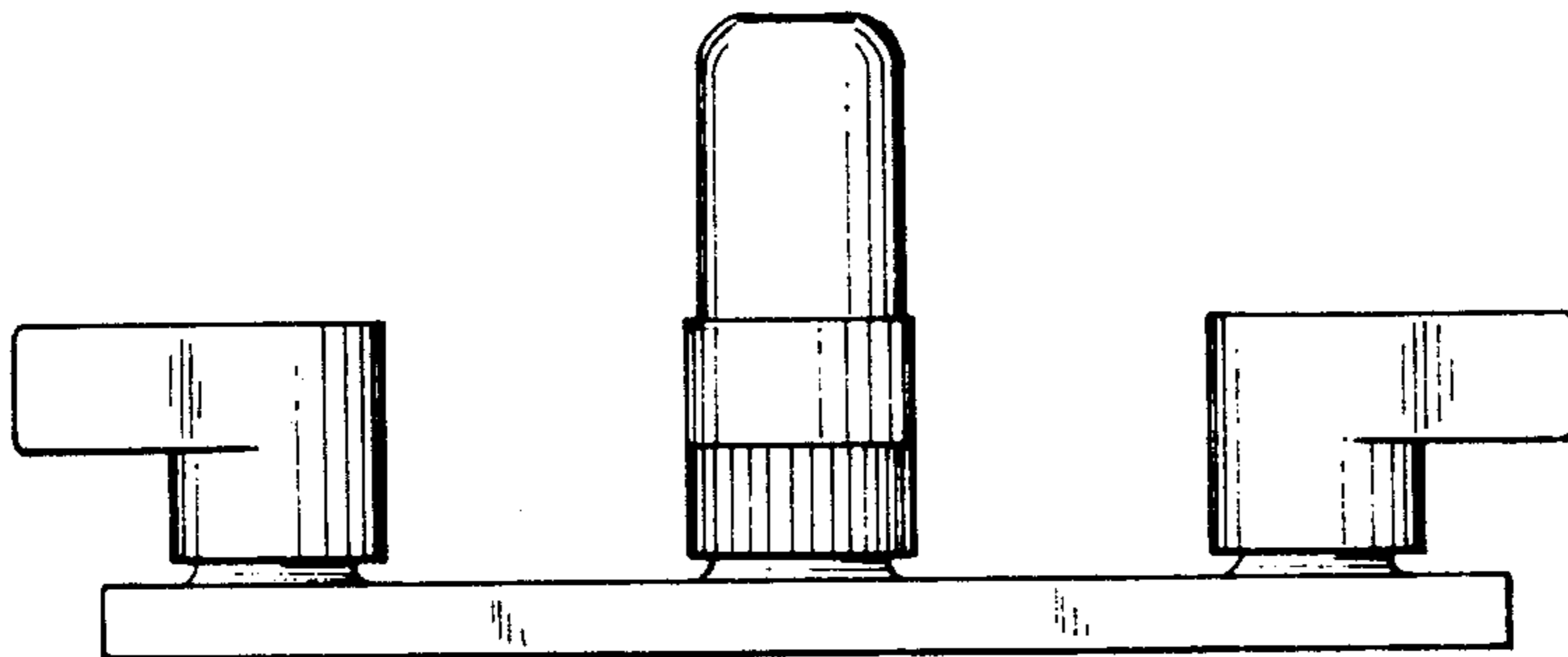


FIG. 6

