

[54] WOOD AND COAL BURNING STOVE

D. 248,240 6/1978 Messer D23/94

[76] Inventors: Larry A. Schwartz, 67 Hess Ave., Warwick, R.I. 02889; Charles E. Spalt, 376 N. Main St., Cohasset, Mass. 02025

FOREIGN PATENT DOCUMENTS

574232 3/1958 Italy 126/4

[**] Term: 14 Years

Primary Examiner—Bernard Ansher
Assistant Examiner—Catherine Kemper
Attorney, Agent, or Firm—Elliot A. Salter

[21] Appl. No.: 856,021

[57] CLAIM

[22] Filed: Nov. 28, 1977

The ornamental design for a wood and coal burning stove, substantially as shown.

[51] Int. Cl. D23—03

[52] U.S. Cl. D23/97

[58] Field of Search D23/72, 93, 94, 95, D23/96, 97; 126/120, 121, 123, 65, 66, 4, 6, 58, 60, 62, 126, 190, 200, 211, 217

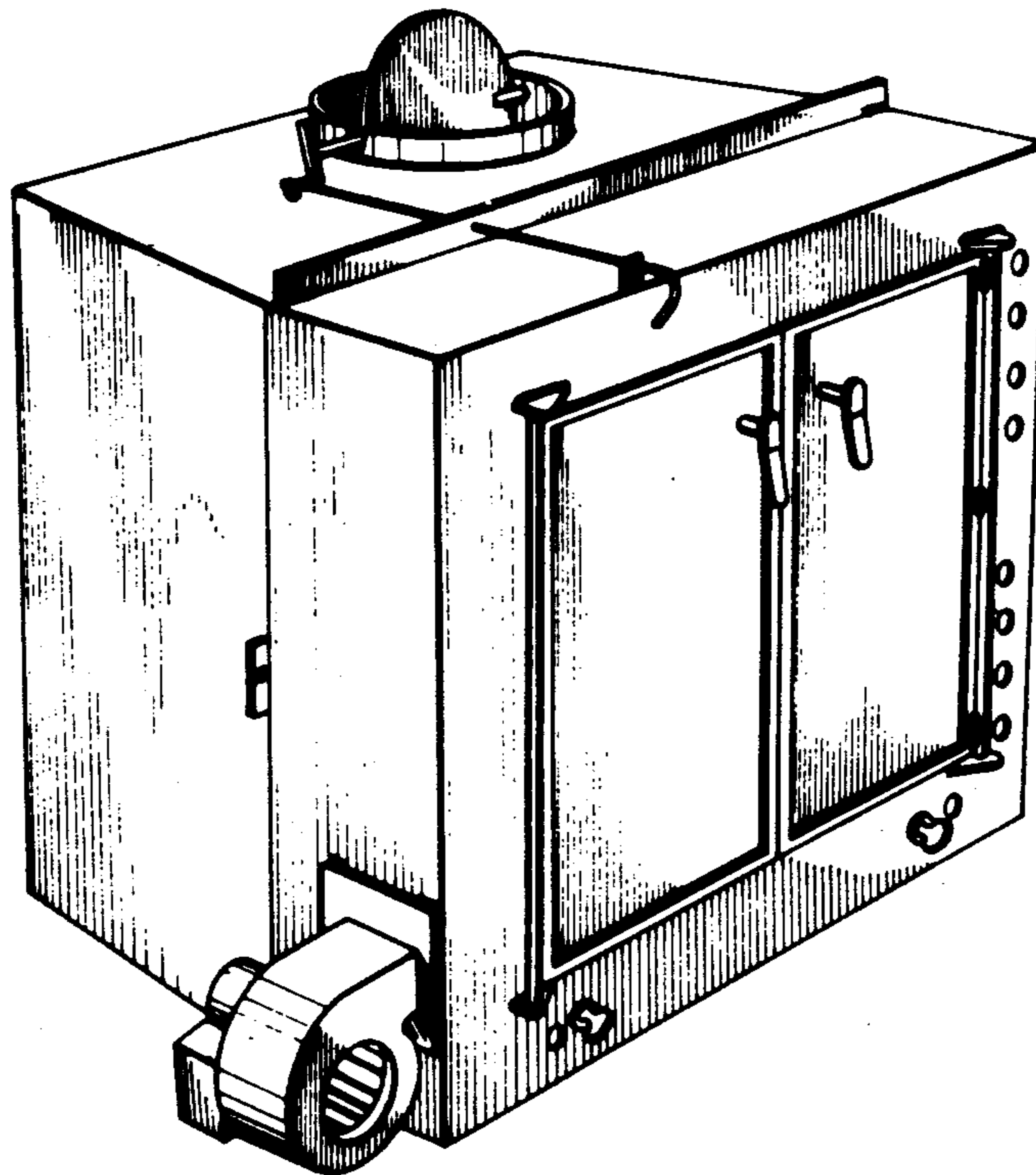
DESCRIPTION

[56] References Cited

U.S. PATENT DOCUMENTS

D. 206,204 11/1966 Kategianis D23/92
D. 247,719 4/1978 Peterman D23/92

FIG. 1 is a front perspective view of a wood and coal burning stove showing our new design; FIG. 2 is a front elevational view thereof; FIG. 3 is a bottom plan view thereof; FIG. 4 is a top plan view thereof; FIG. 5 is a right side elevational view thereof; FIG. 6 is a rear elevational view thereof; and FIG. 7 is a left side elevational view thereof.



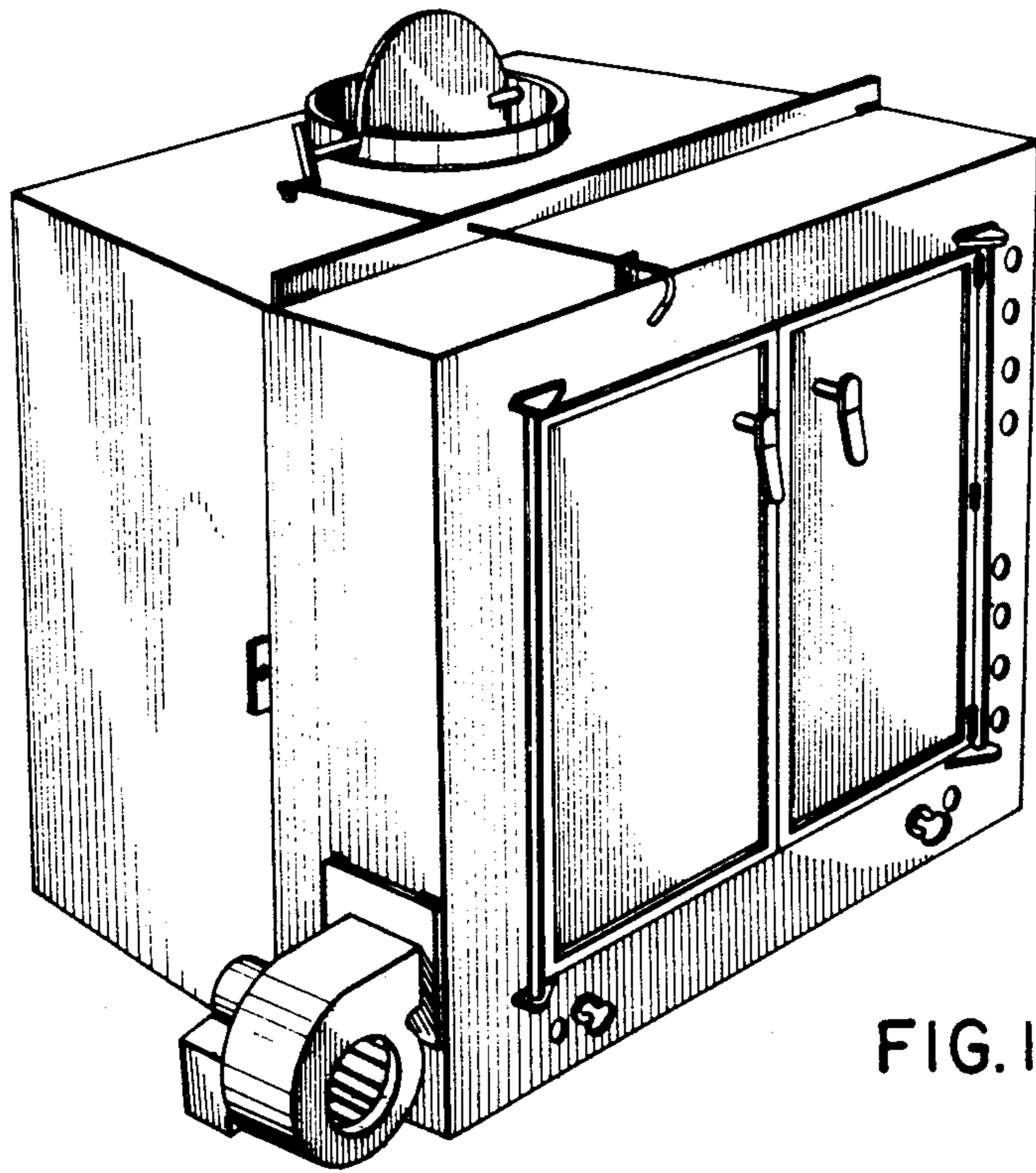


FIG. 1

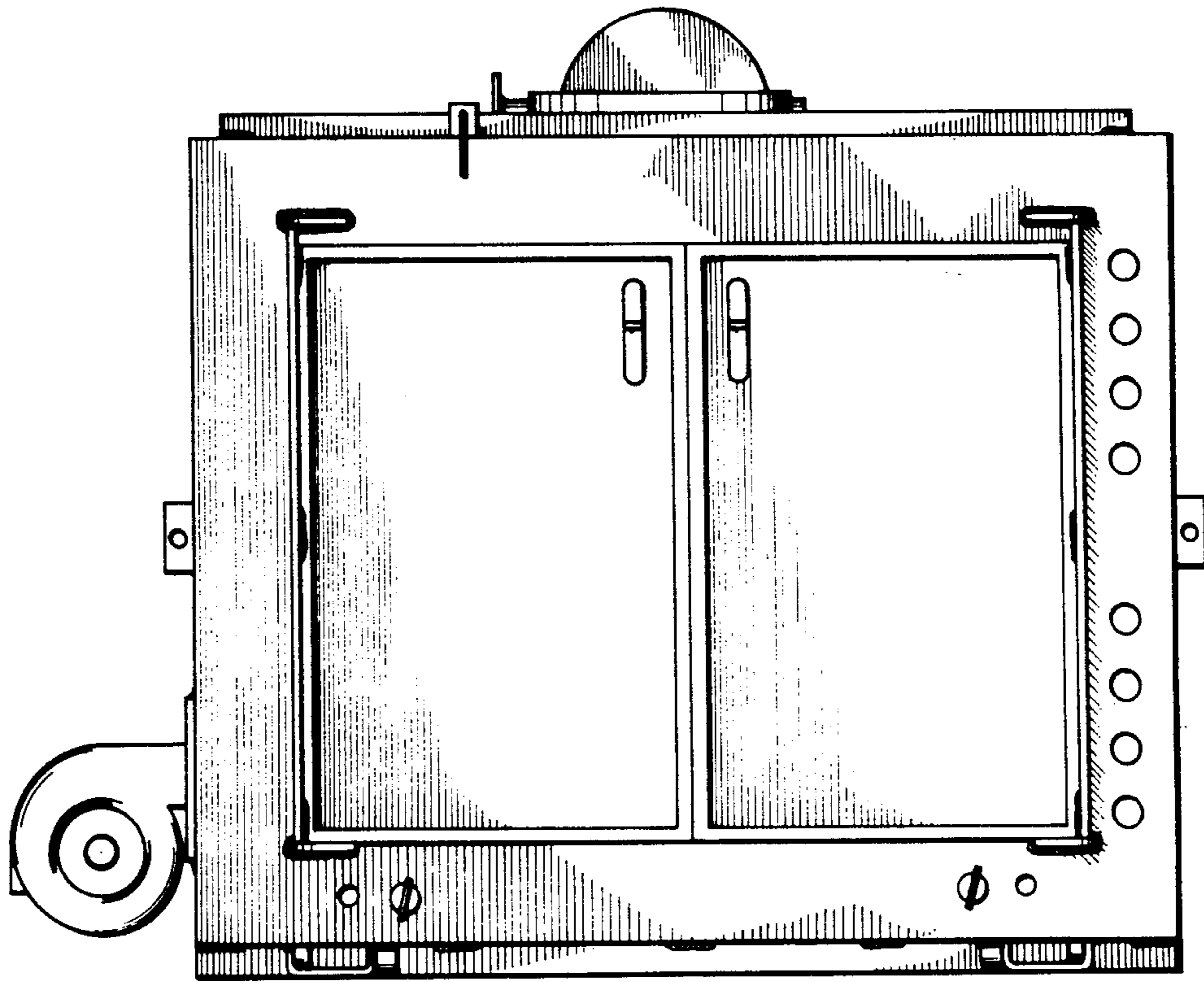
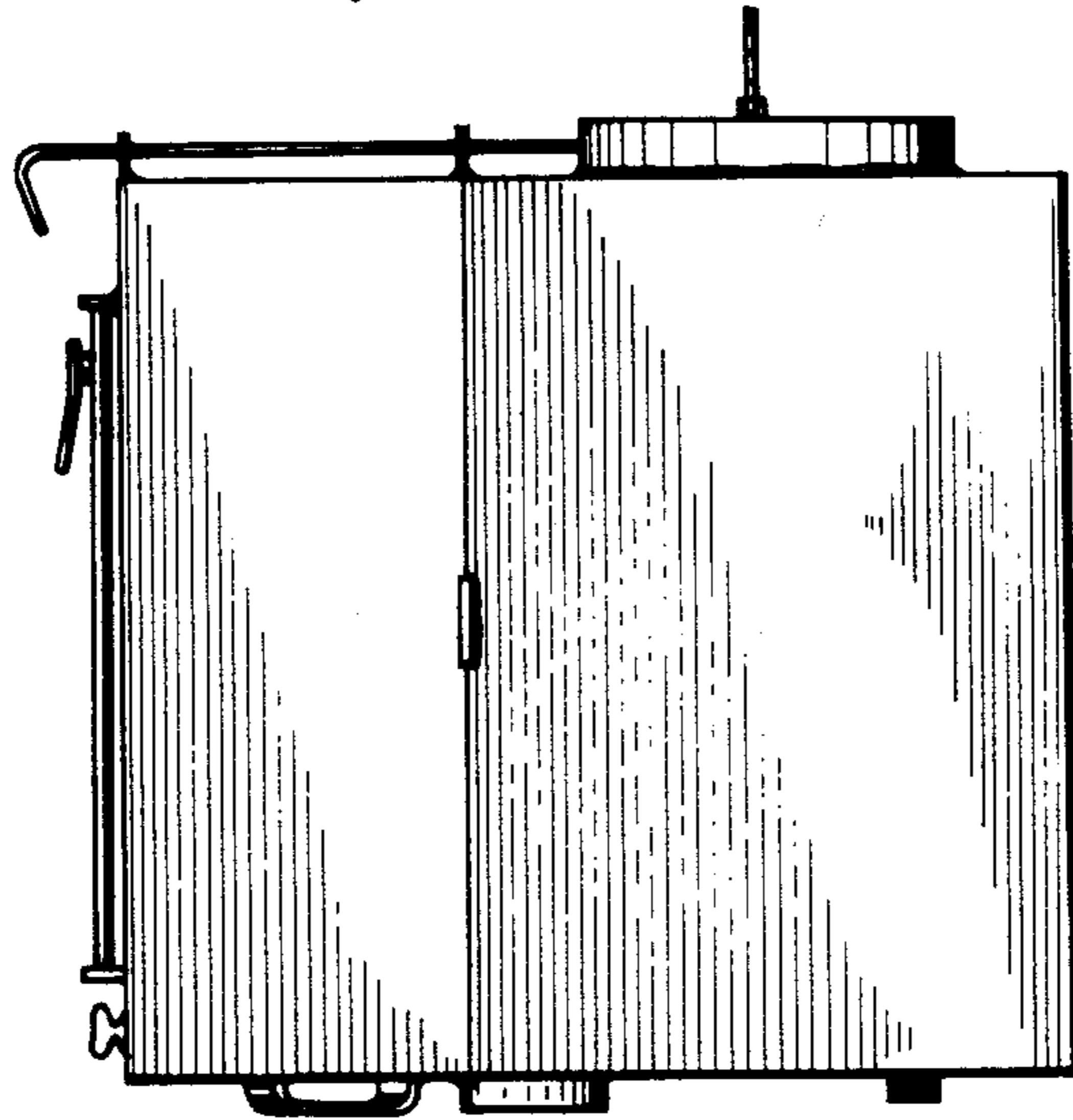
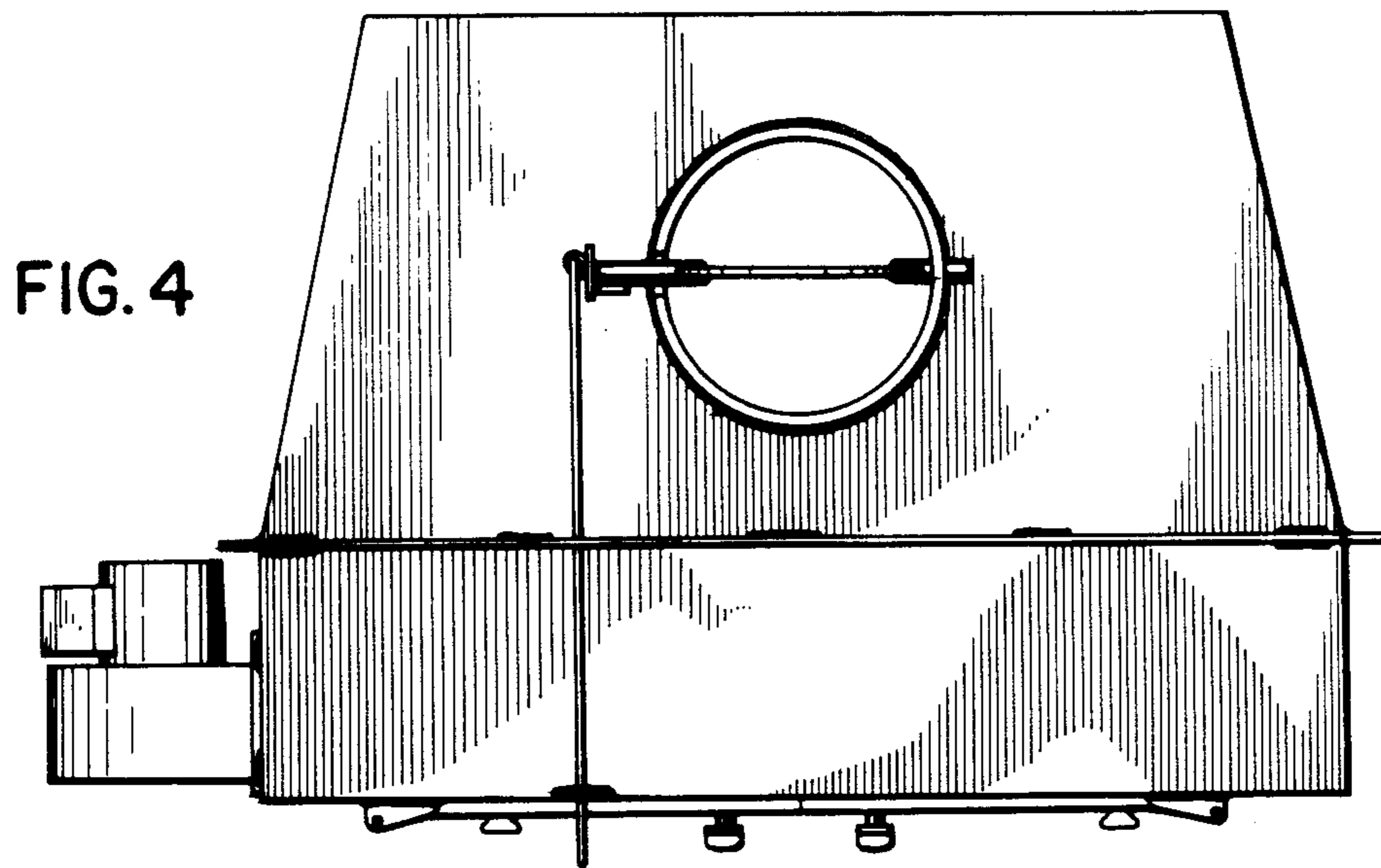
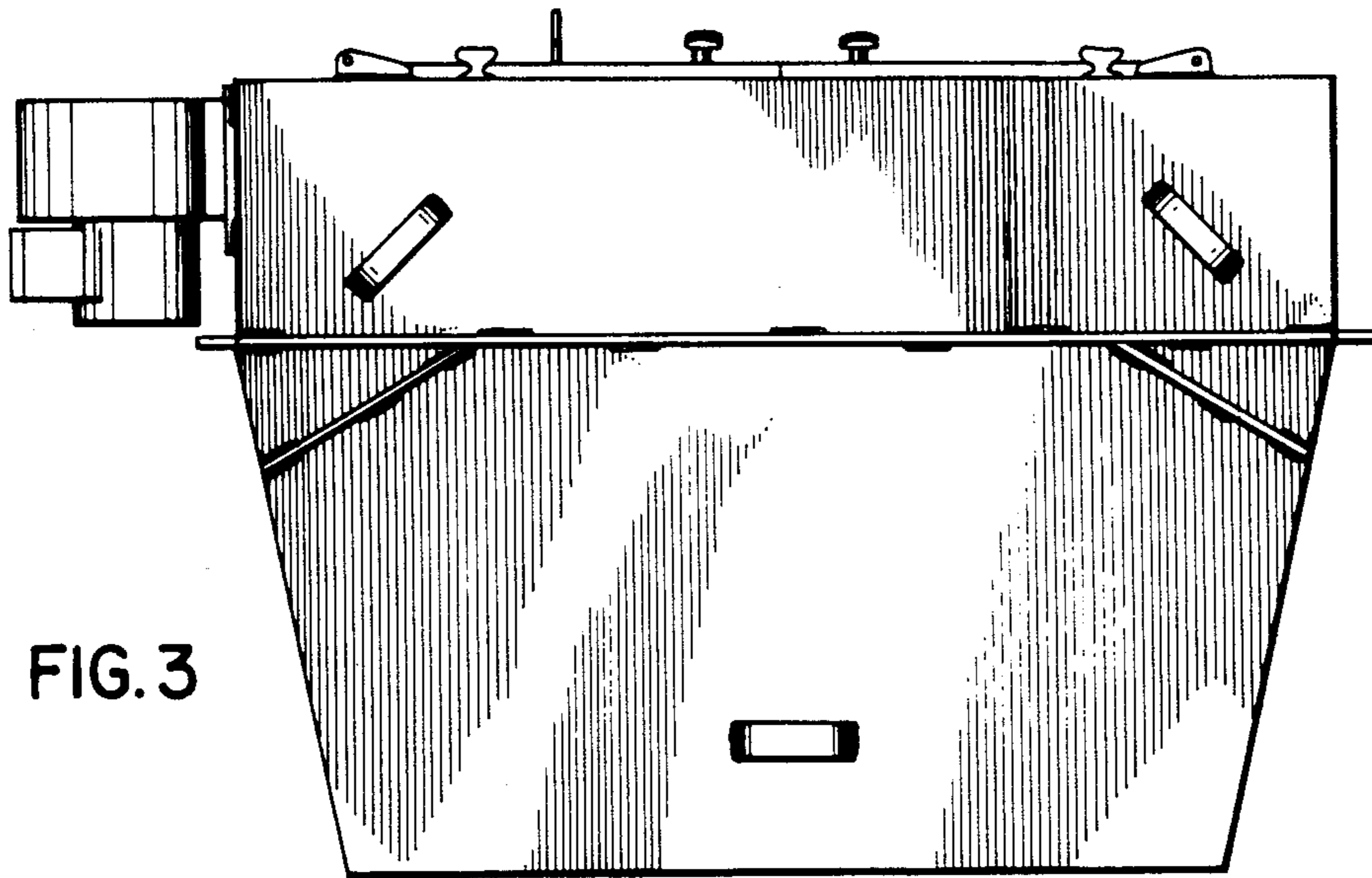


FIG. 2



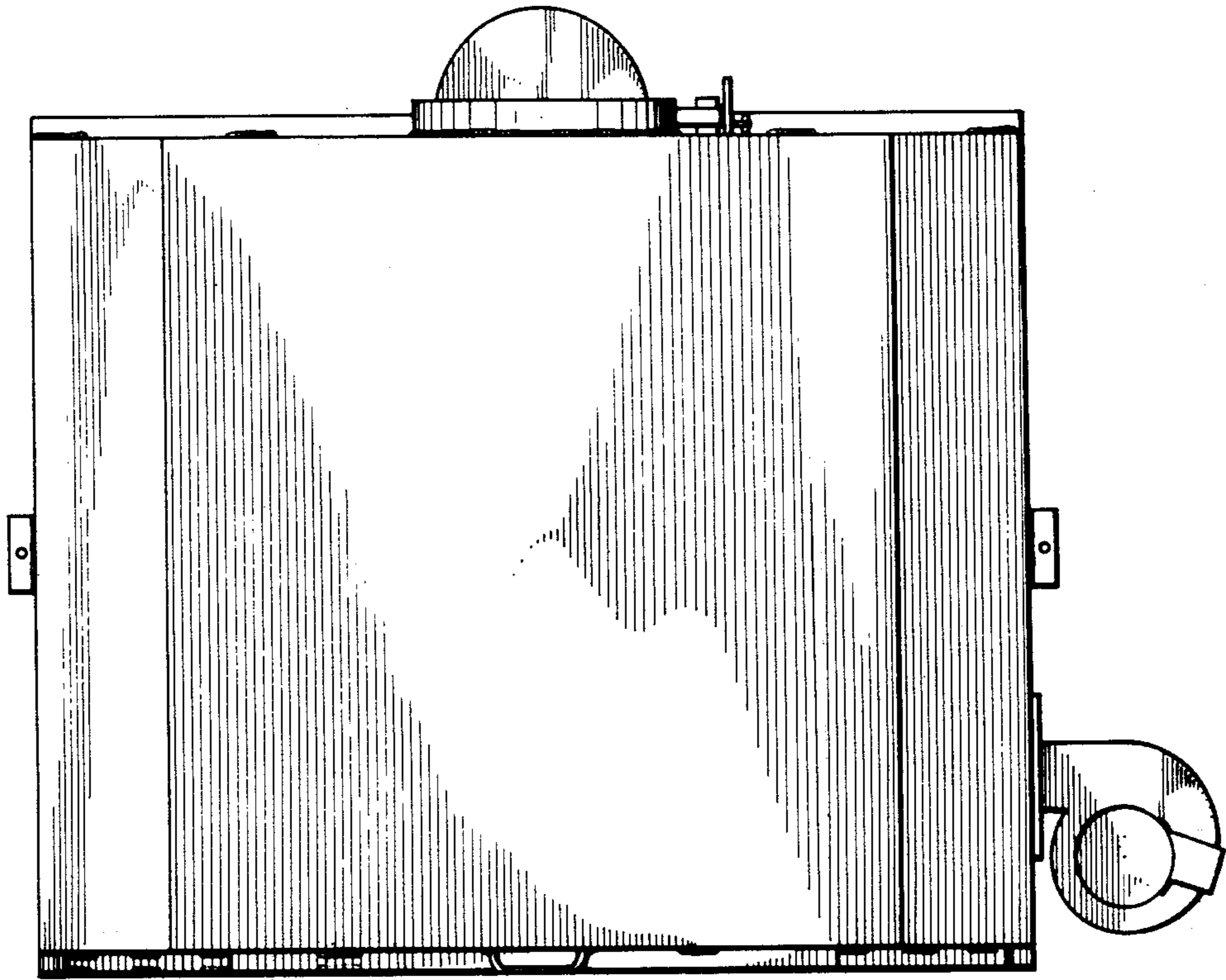


FIG. 6

FIG. 7

