

[54] MACHINE FOR STRINGING RACQUETS
 [76] Inventors: Donald A. Chartier, 88 Walnut St., Nashua, N.H. 03060; Richard Janes, 4E Pine Isle Dr., Derry, N.H. 03038
 [**] Term: 14 Years
 [21] Appl. No.: 818,619
 [22] Filed: Jul. 25, 1977
 [51] Int. Cl. D15-99
 [52] U.S. Cl. D15/199
 [58] Field of Search D15/122, 199; 273/73 A; 73/145

3,964,291 6/1976 Ogden 73/145

FOREIGN PATENT DOCUMENTS

11380 of 1928 Australia 273/73 A

Primary Examiner—Wallace R. Burke
 Assistant Examiner—B. J. Bullock
 Attorney, Agent, or Firm—John H. Pearson

[57] CLAIM

The ornamental design for a machine for stringing racquets, substantially as shown and described.

DESCRIPTION

FIG. 1 is a side elevational view of a machine for stringing racquets showing our new design;
 FIG. 2 is a side elevational view showing the side opposite that shown in FIG. 1;
 FIG. 3 is a rear elevational view thereof;
 FIG. 4 is a front elevational view thereof;
 FIG. 5 is a top plan view thereof.

[56] References Cited
 U.S. PATENT DOCUMENTS

2,389,609 11/1945 Caro et al. 73/145
 3,918,713 11/1975 Kaminstein 273/73 A

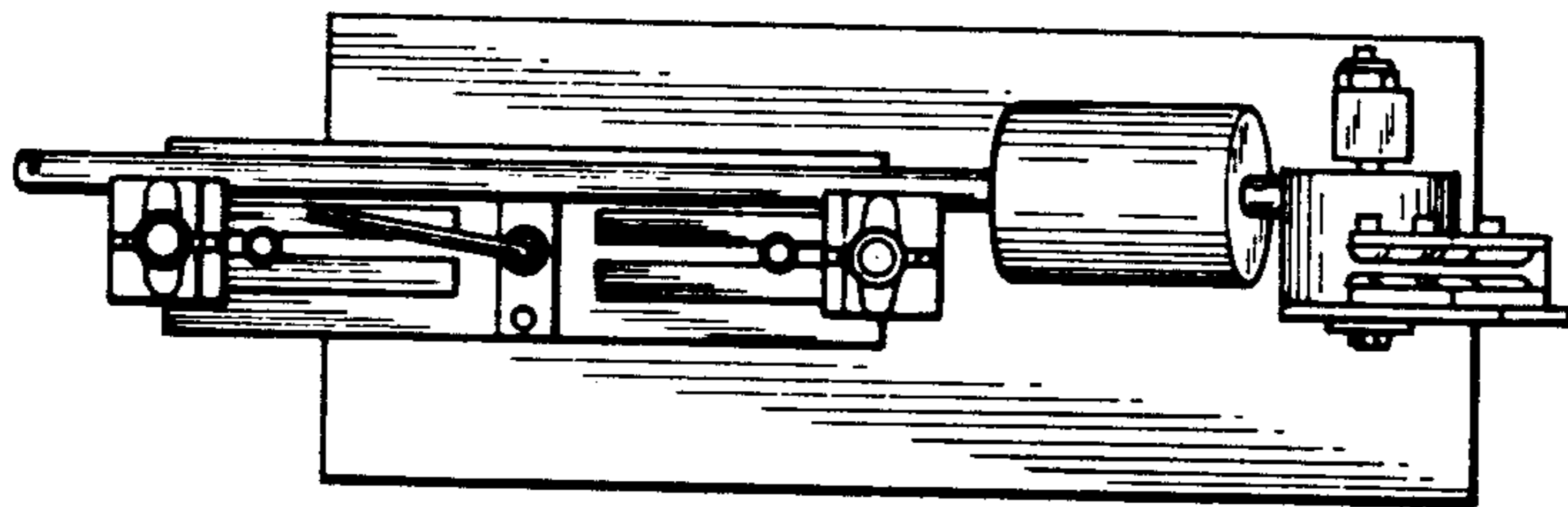
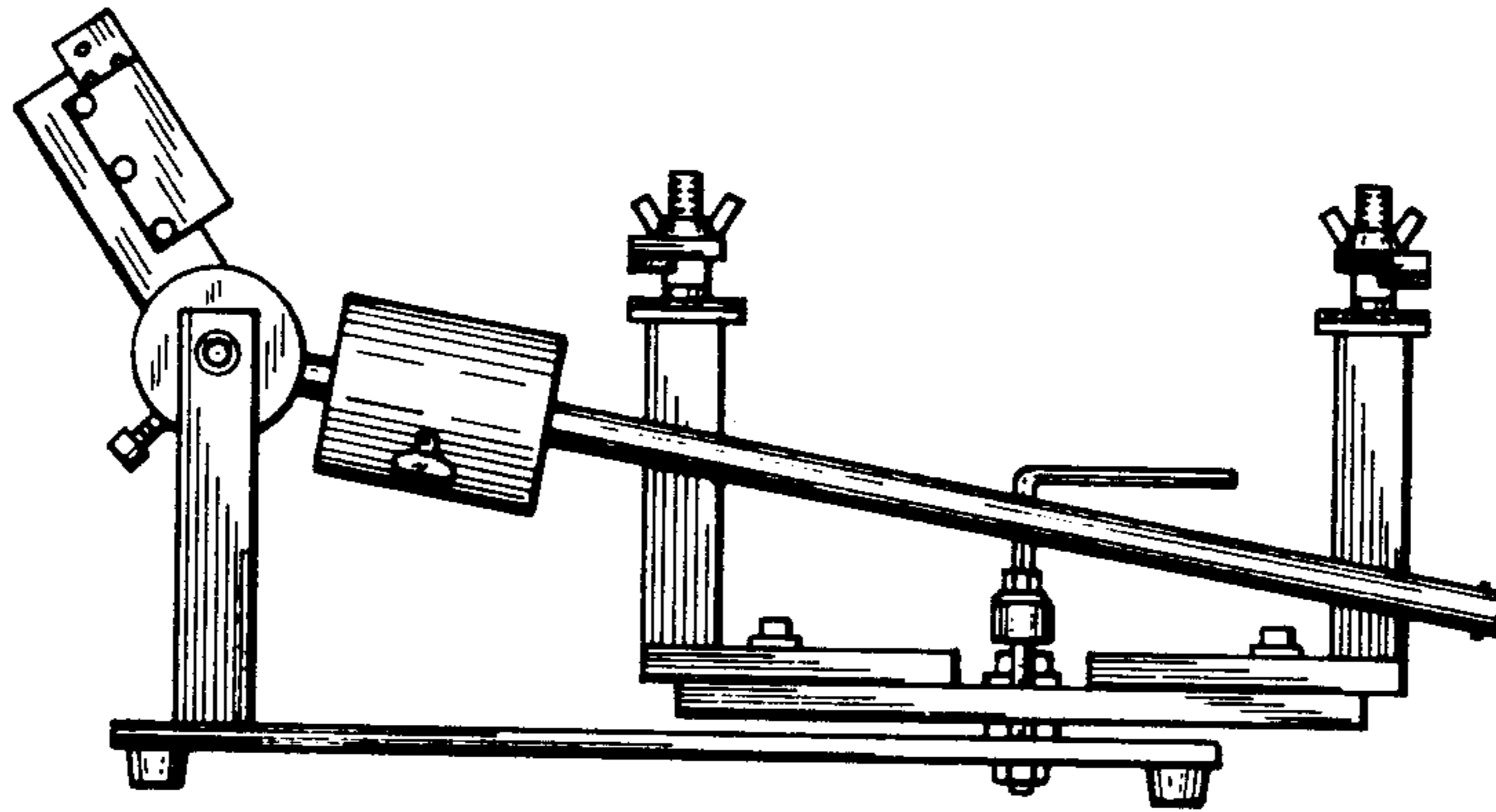


Fig. 1.

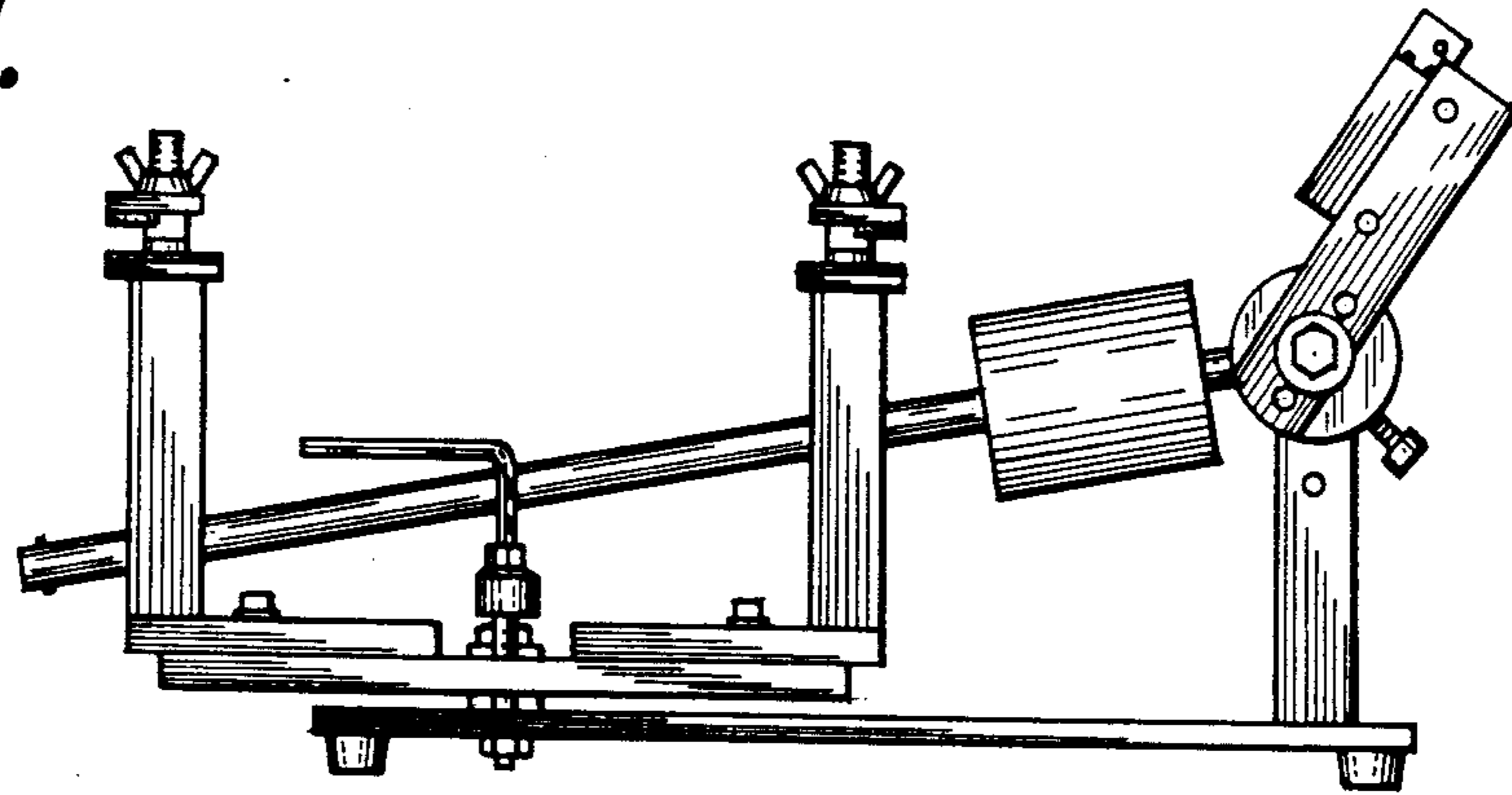


Fig. 2.

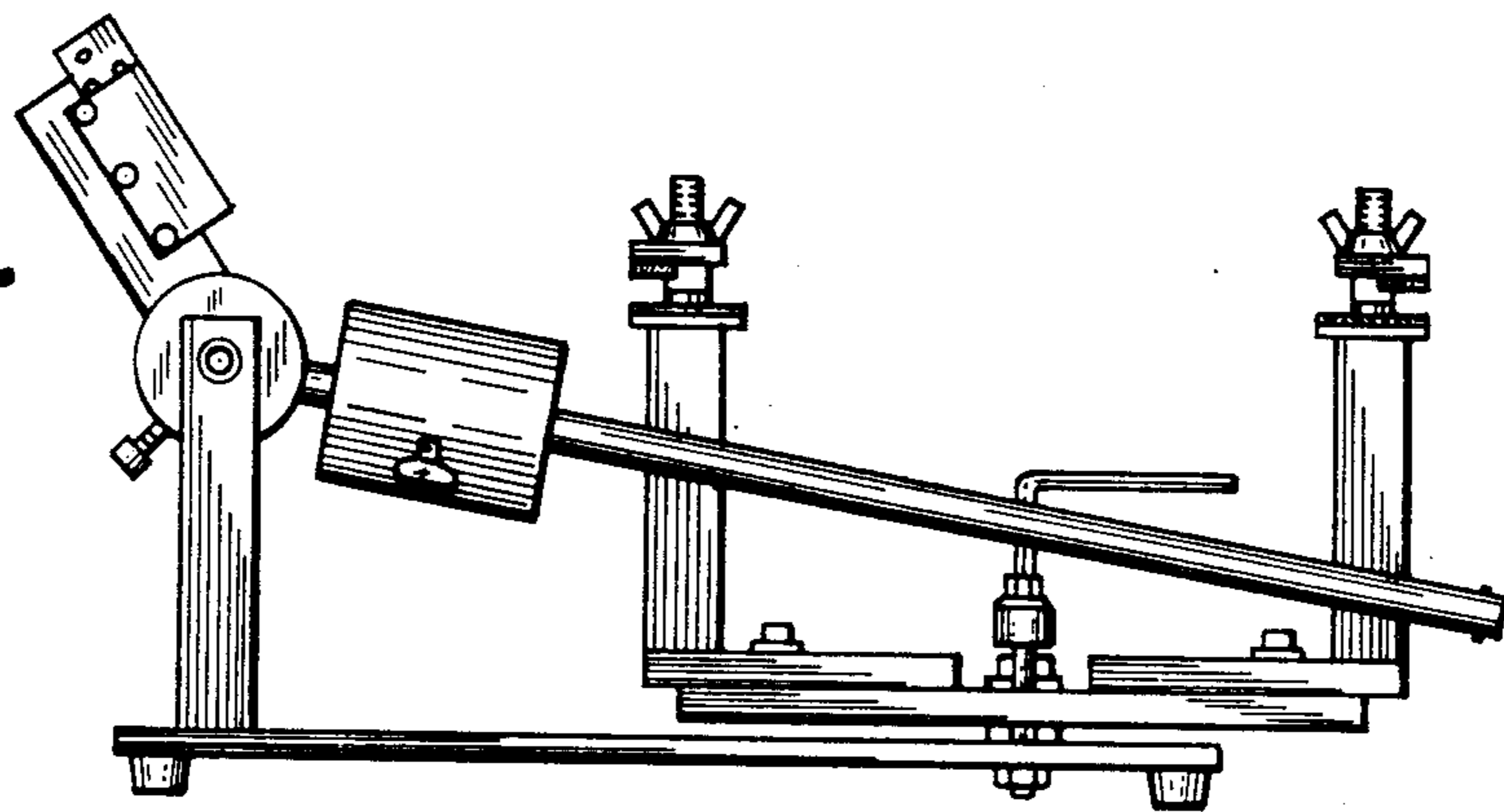


Fig. 3.

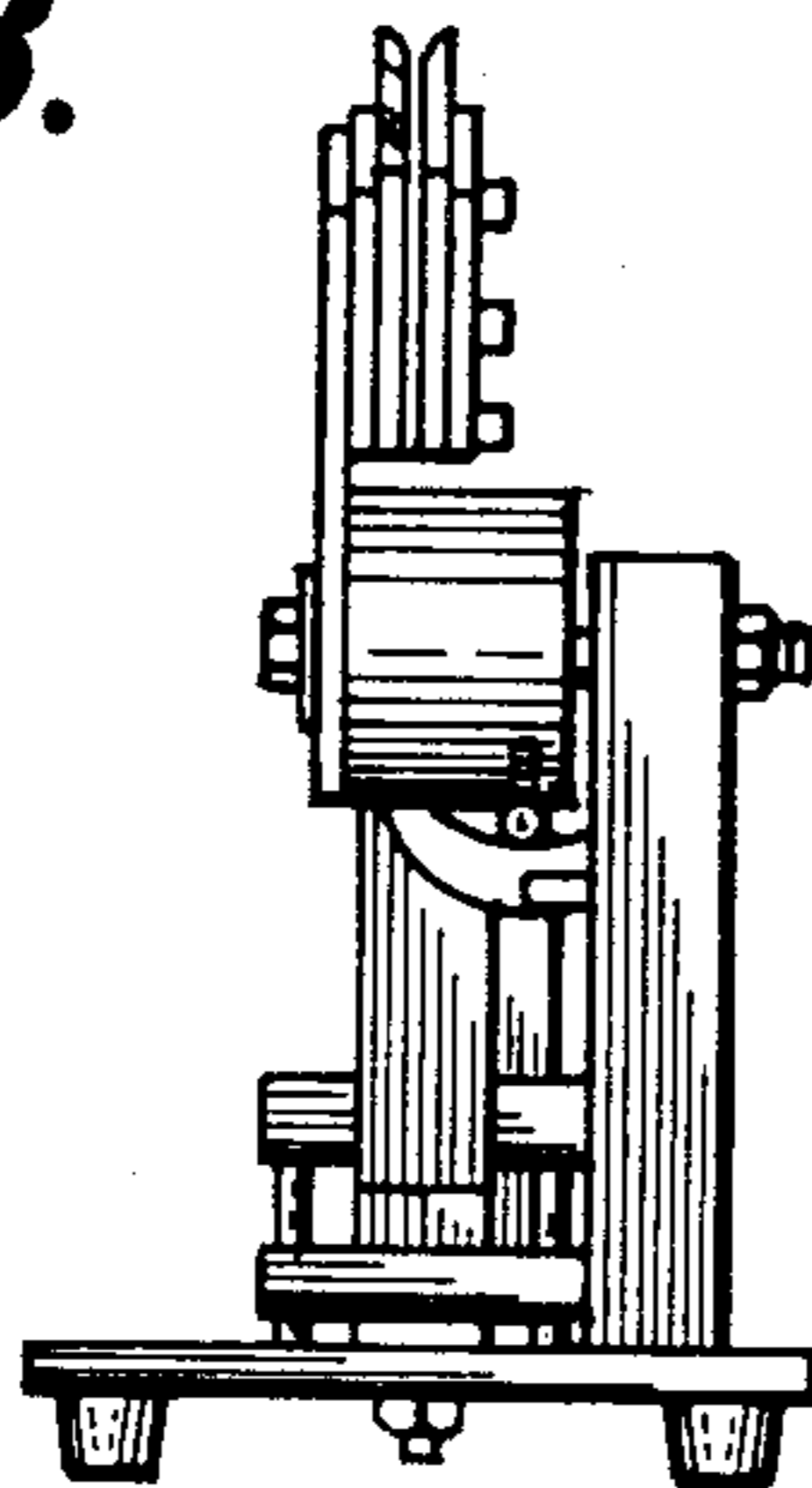


Fig. 4.

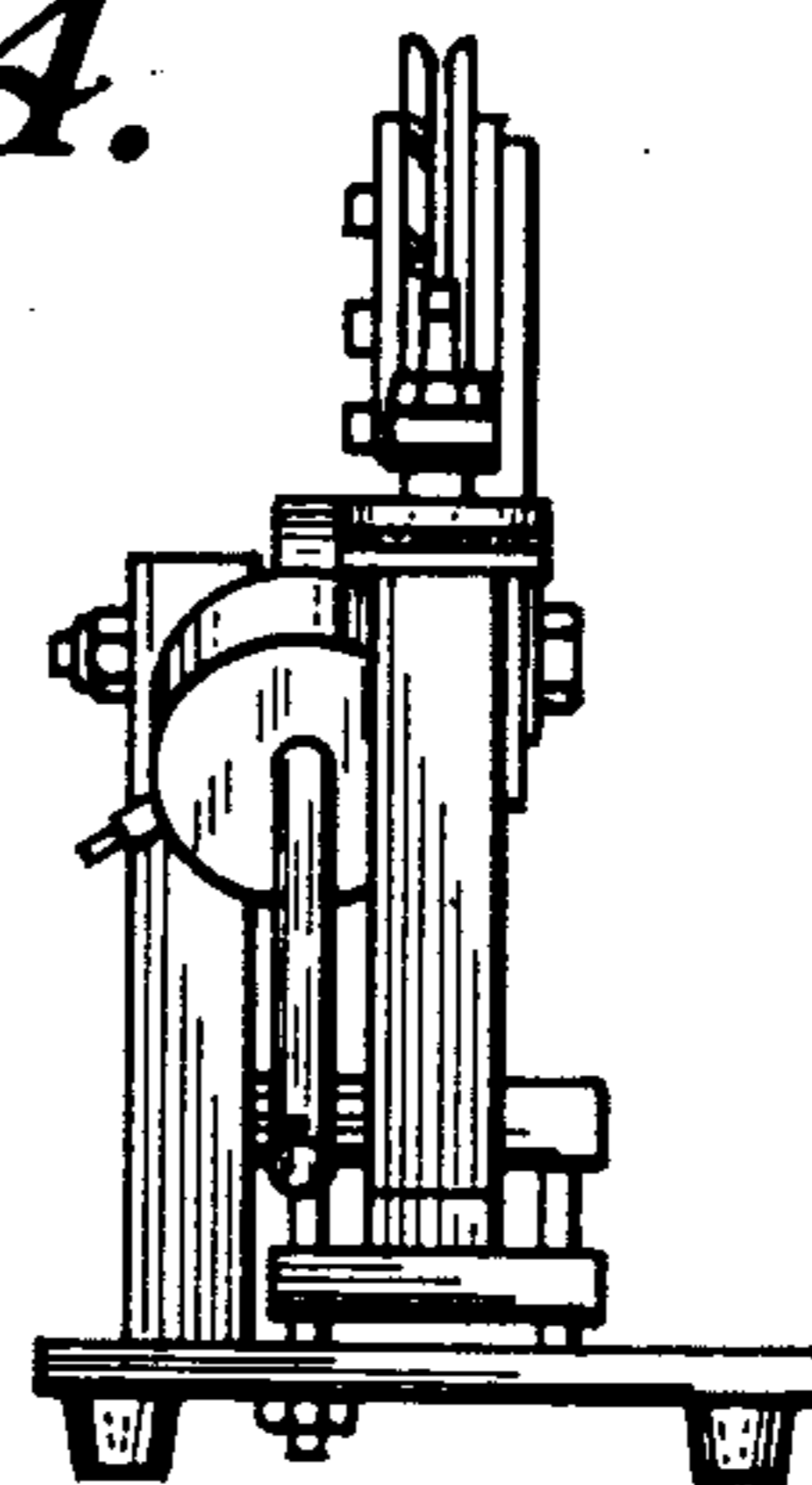


Fig. 5.

