

[54] CAN RECYCLING PRESS

[75] Inventors: Alton W. Hubbard, Fortuna; Pete A. Johnson, Eureka, both of Calif.

[73] Assignee: Jabs Enterprises, Inc., Eureka, Calif.

[\*\*] Term: 14 Years

[21] Appl. No.: 786,123

[22] Filed: Apr. 11, 1977

[51] Int. Cl. .... D23-02; D15-99

[52] U.S. Cl. .... D15/123

[58] Field of Search ..... D15/123; 100/DIG. 2, 100/45, 49, 53, 229, 220, 48, 289, 218, 232, 290, 295, 216, 233, 278

[56] References Cited

U.S. PATENT DOCUMENTS

- D. 124,327 12/1940 Muller ..... D15/123
- D. 231,256 4/1974 Longo ..... D15/123

- 3,799,051 3/1974 Liberman ..... D15/123 UX
- 3,802,336 4/1974 Toppins ..... 100/49
- 3,862,595 1/1975 Longo ..... D15/123 X
- 3,934,498 1/1976 Hochanadel ..... 100/DIG. 2
- 4,103,609 8/1978 Hiatt ..... 100/218

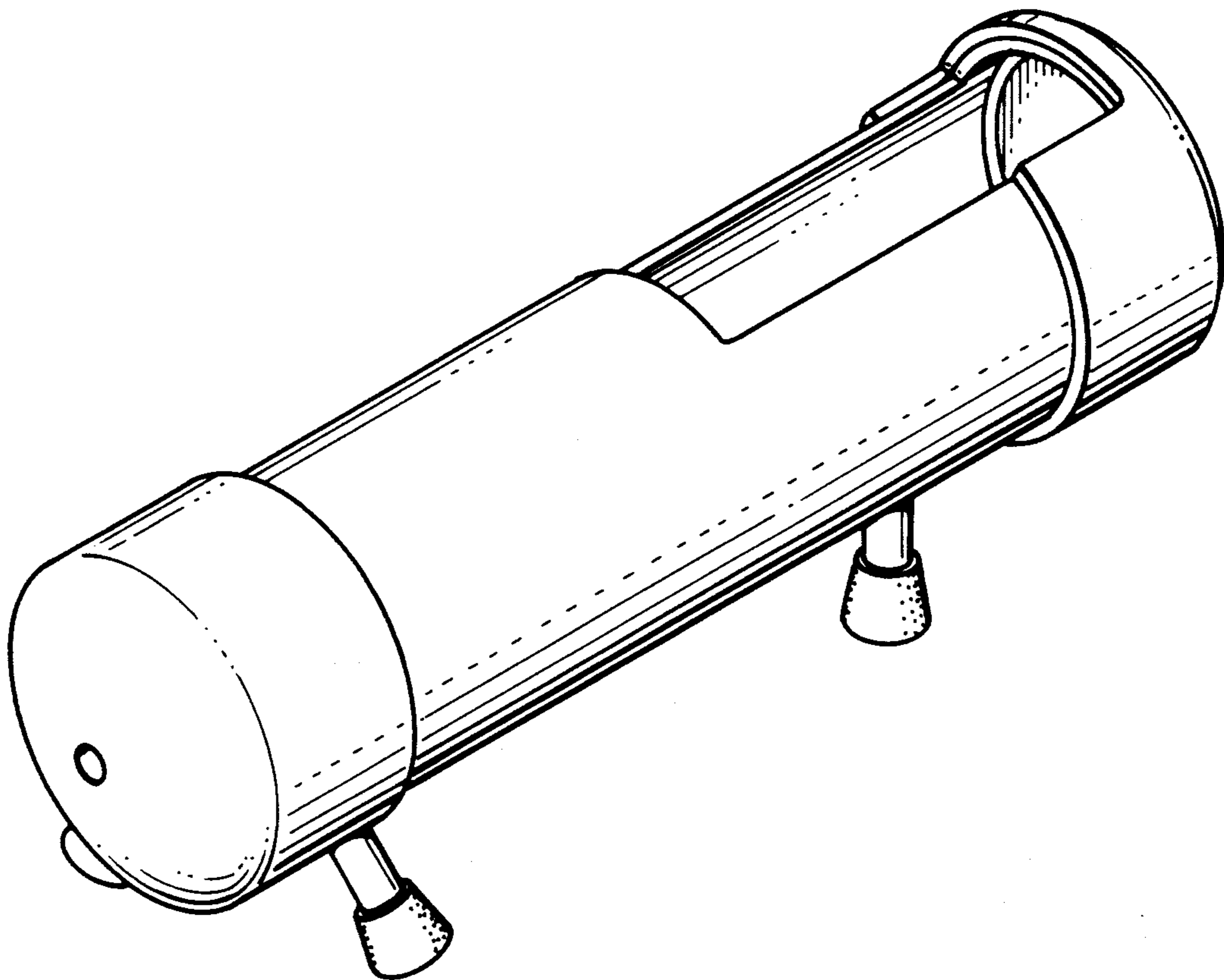
Primary Examiner—Bernard Ansher  
Attorney, Agent, or Firm—Frank A. Neal

[57] CLAIM

The ornamental design for a can recycling press, as shown and described.

DESCRIPTION

FIG. 1 is a rear, top and right side perspective view of a can recycling press showing our new design;  
 FIG. 2 is a top plan view;  
 FIG. 3 is a rear elevational view;  
 FIG. 4 is a right side elevational view, the left side being a mirror image thereof;  
 FIG. 5 is a cross-sectional view taken on the plane designated by line 5-5 of FIG. 4; and,  
 FIG. 6 is a bottom plan view.



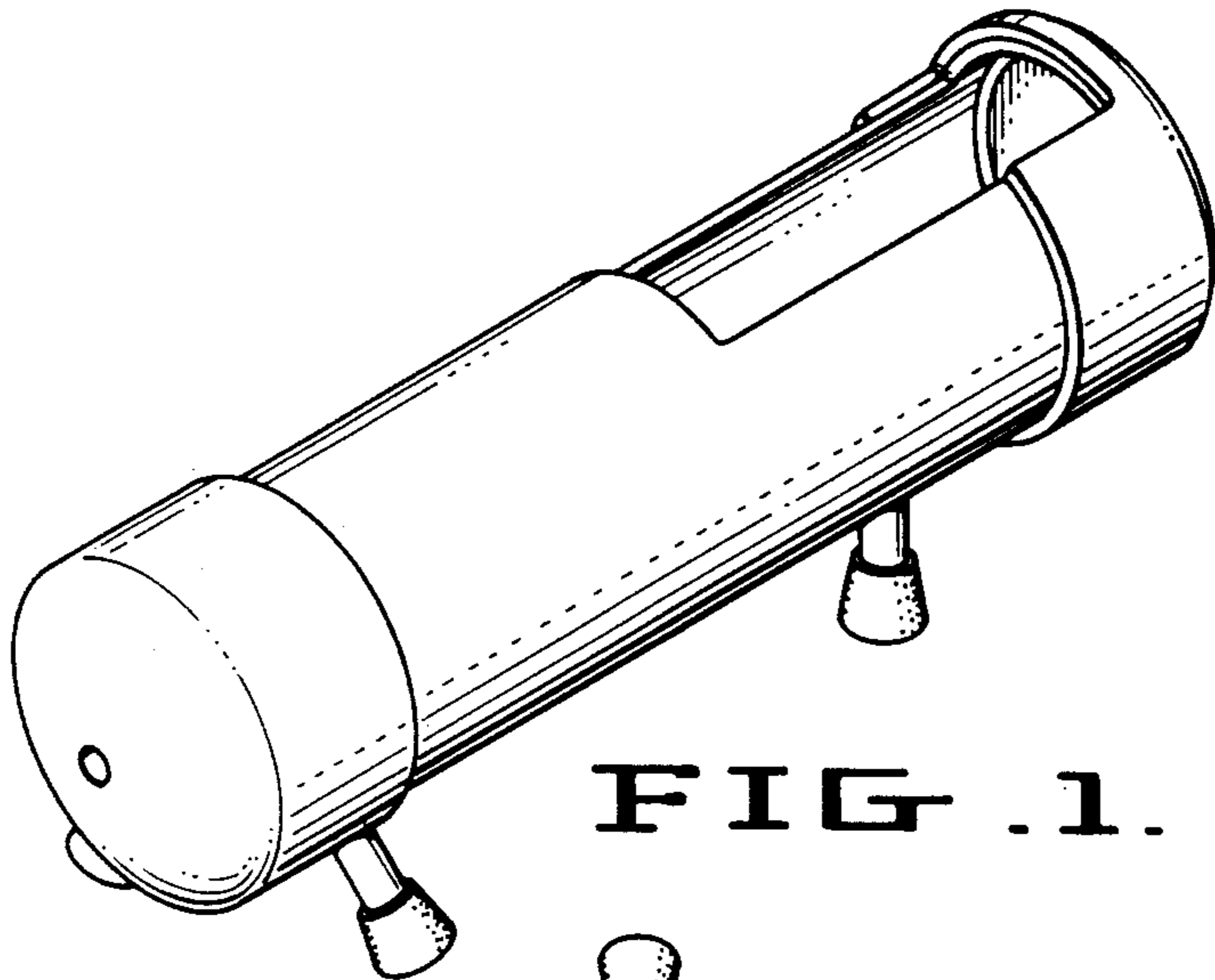


FIG. 1.

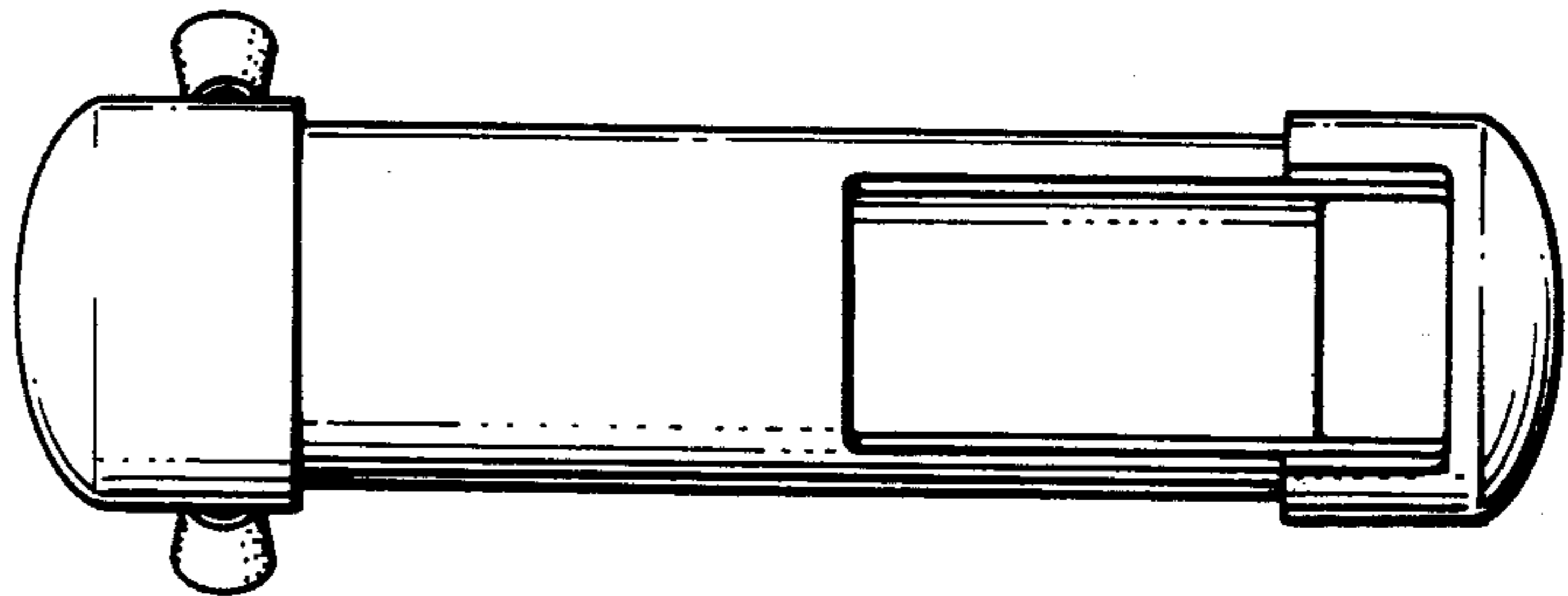


FIG. 2.

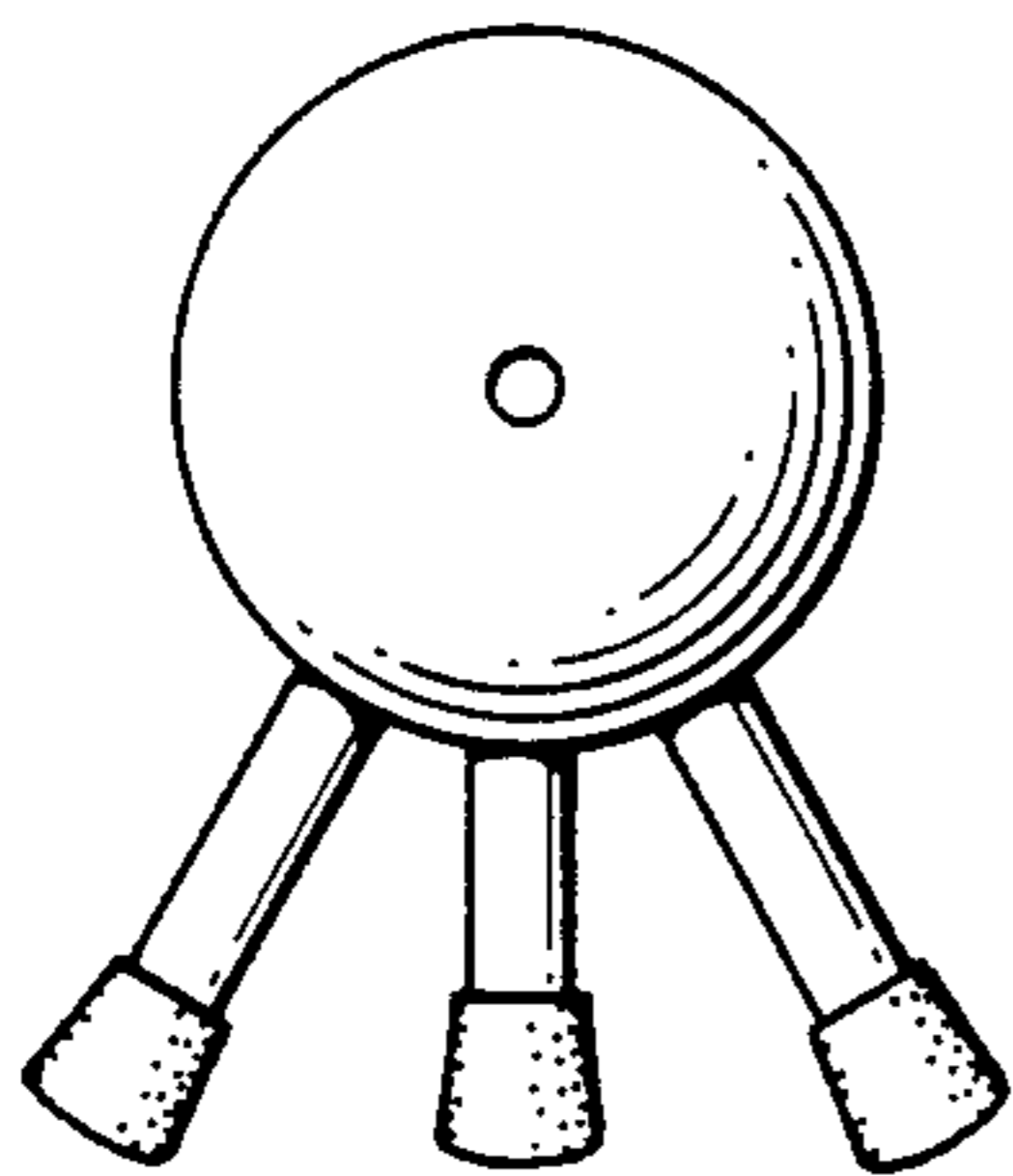


FIG. 3.

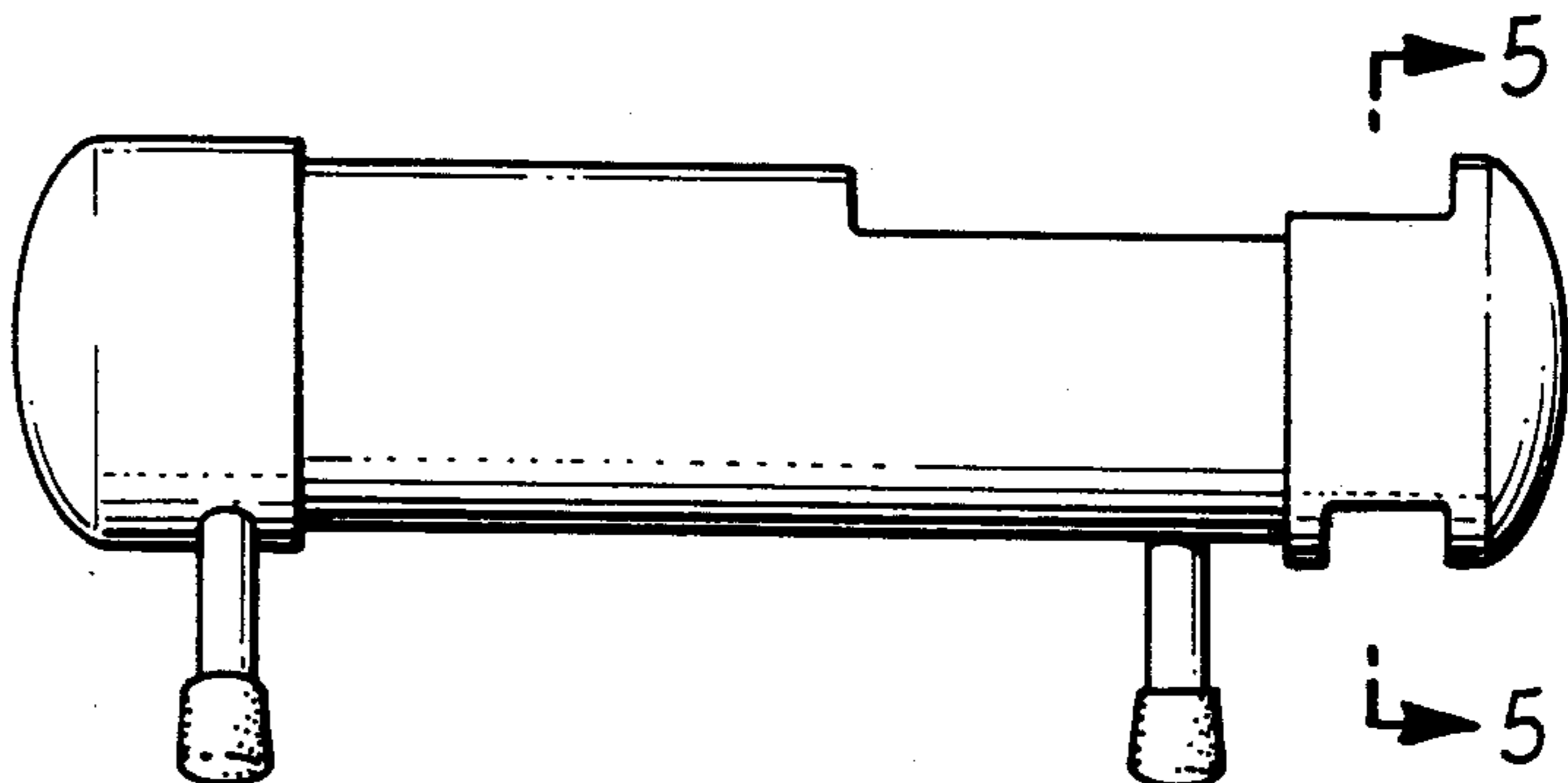


FIG. 4.

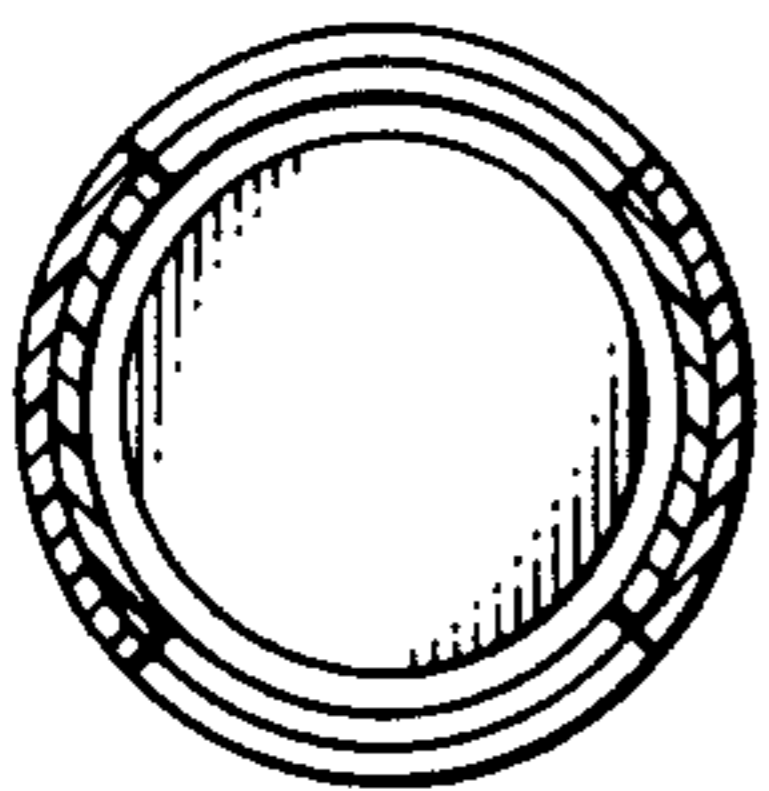


FIG. 5.

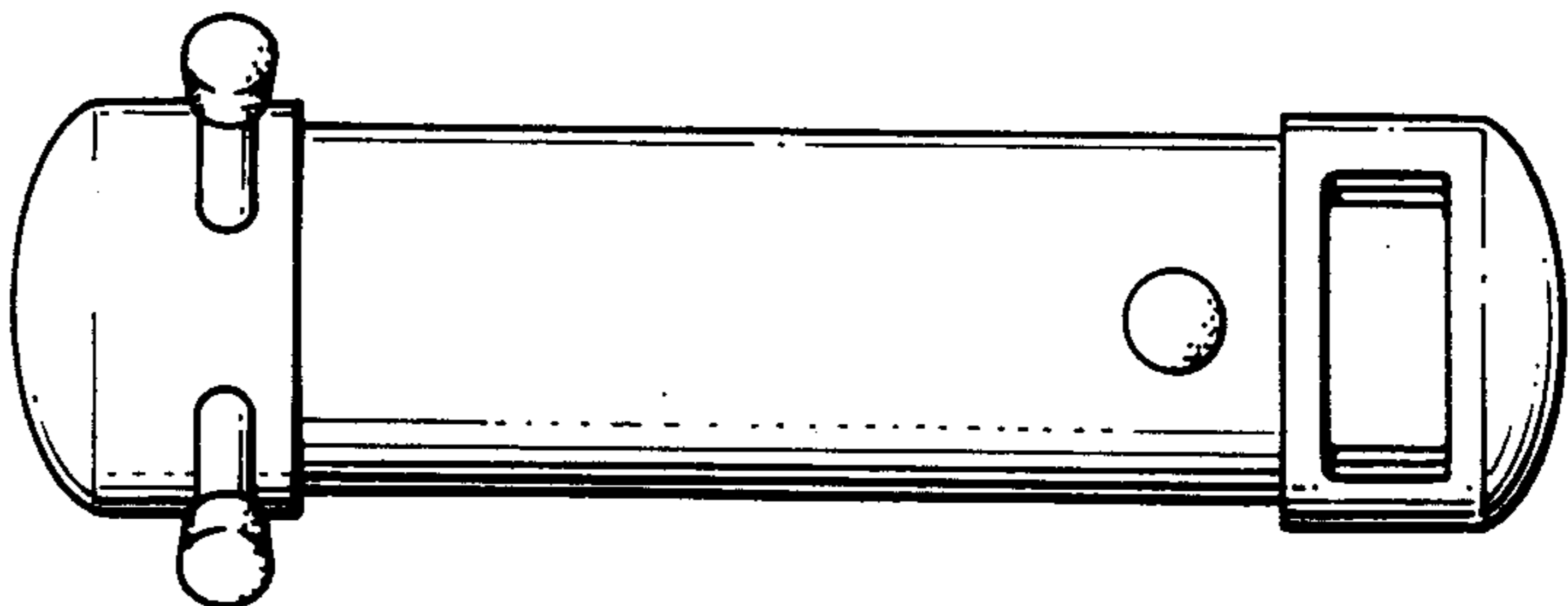


FIG. 6.