

[54] MOTORCYCLE ARTICLE CARRIER

[75] Inventors: Craig W. Vetter; Charles Perethian, both of San Luis Obispo, Calif.

[73] Assignee: Vetter Fairing Company, San Luis Obispo, Calif.

[\*\*] Term: 14 Years

[21] Appl. No.: 901,323

[22] Filed: May 1, 1978

[51] Int. Cl. .... D12-11

[52] U.S. Cl. .... D12/158

[58] Field of Search ..... D12/158; 224/32 R, 32 A, 224/42.31, 43; 280/289 A

[56] References Cited

U.S. PATENT DOCUMENTS

D. 247,775 4/1978 Watson et al. .... D12/158  
2,783,927 3/1957 Harley ..... 224/32 R

OTHER PUBLICATIONS

Bates Motorcycle Accessories Catalog 745A, p. 13, Tote Box with Custom Trim Rails, bottom of page.

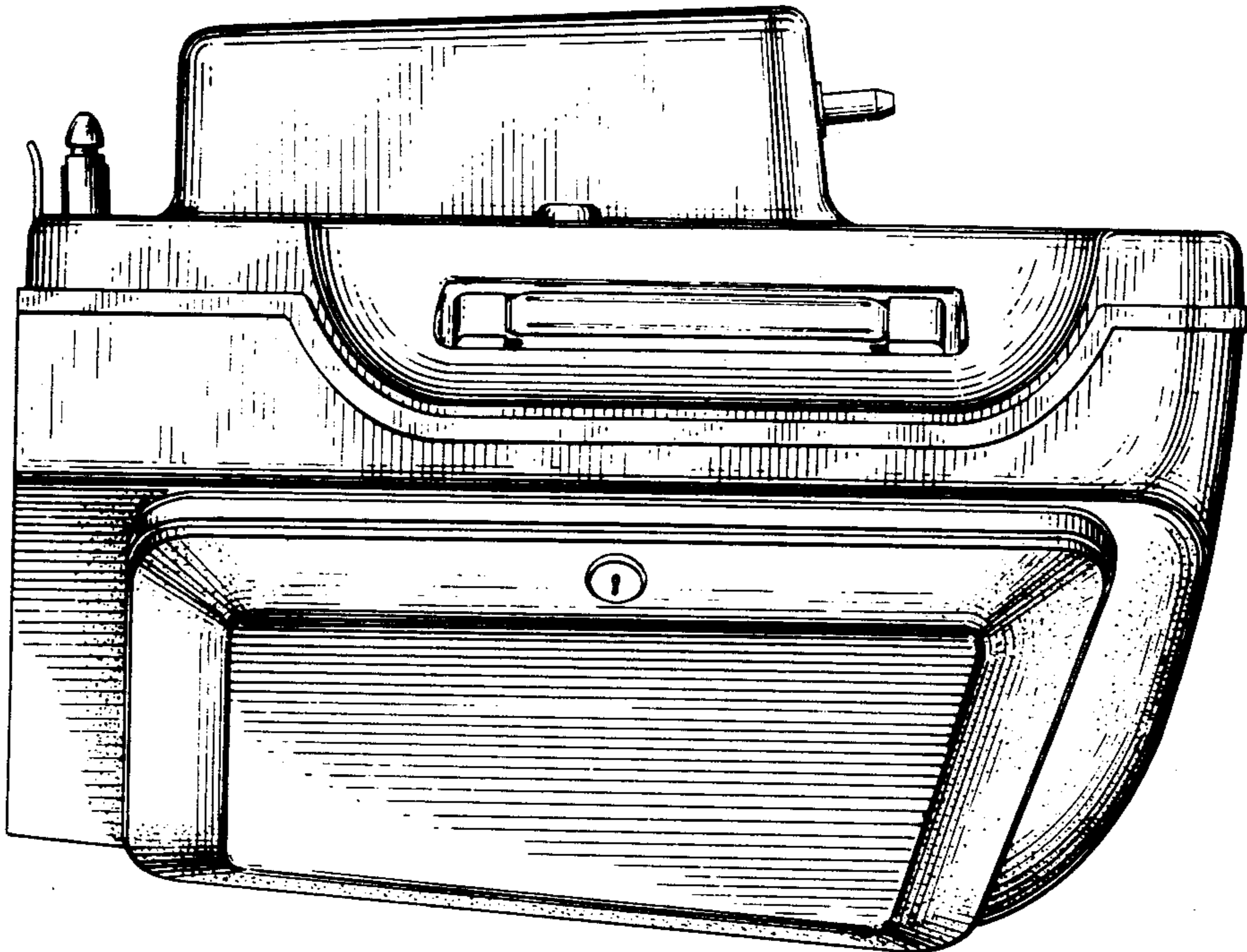
Primary Examiner—James M. Gandy  
Attorney, Agent, or Firm—Ernest A. Wegner

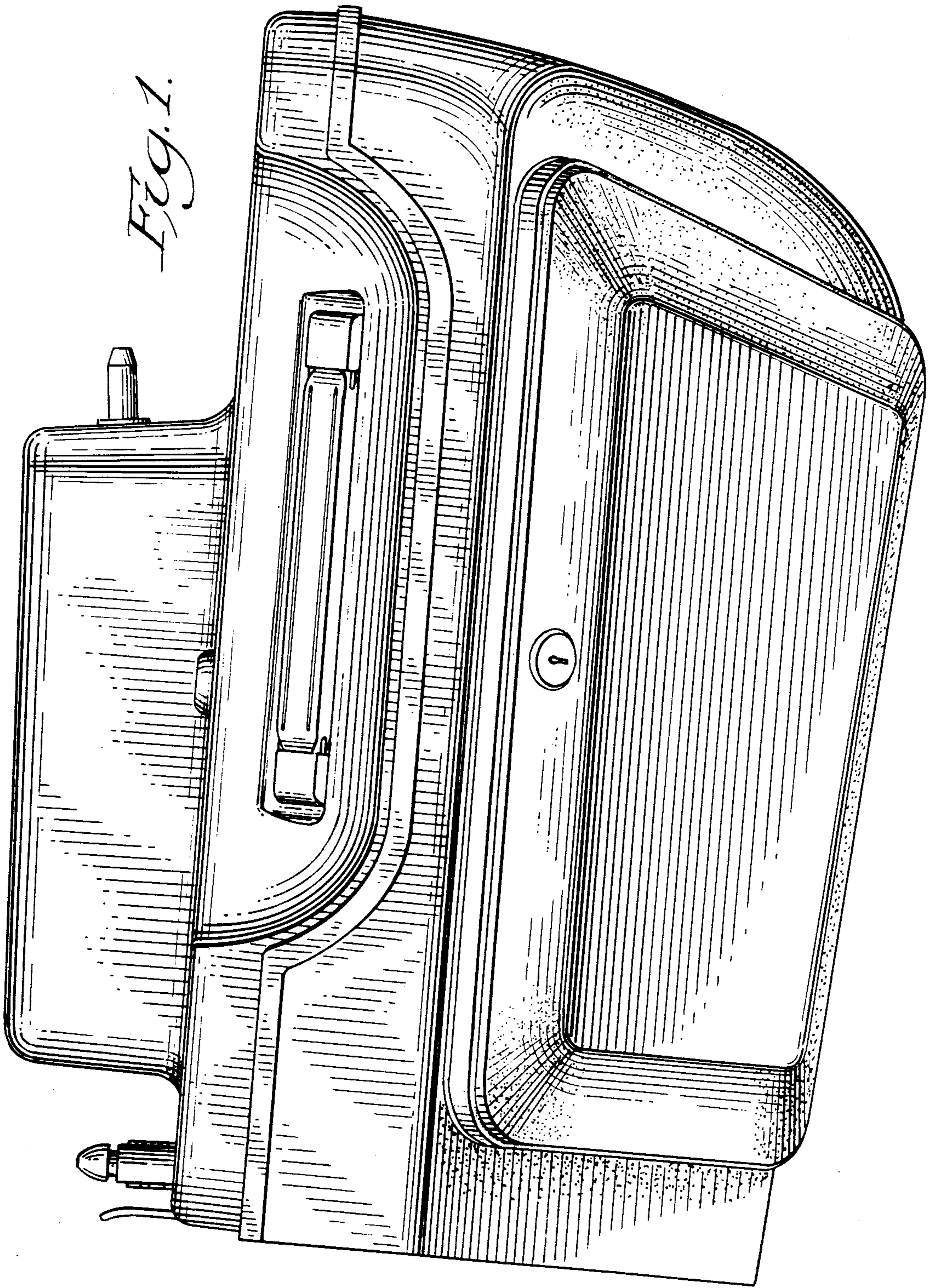
[57] CLAIM

The ornamental design for a motorcycle article carrier, substantially as shown and described.

DESCRIPTION

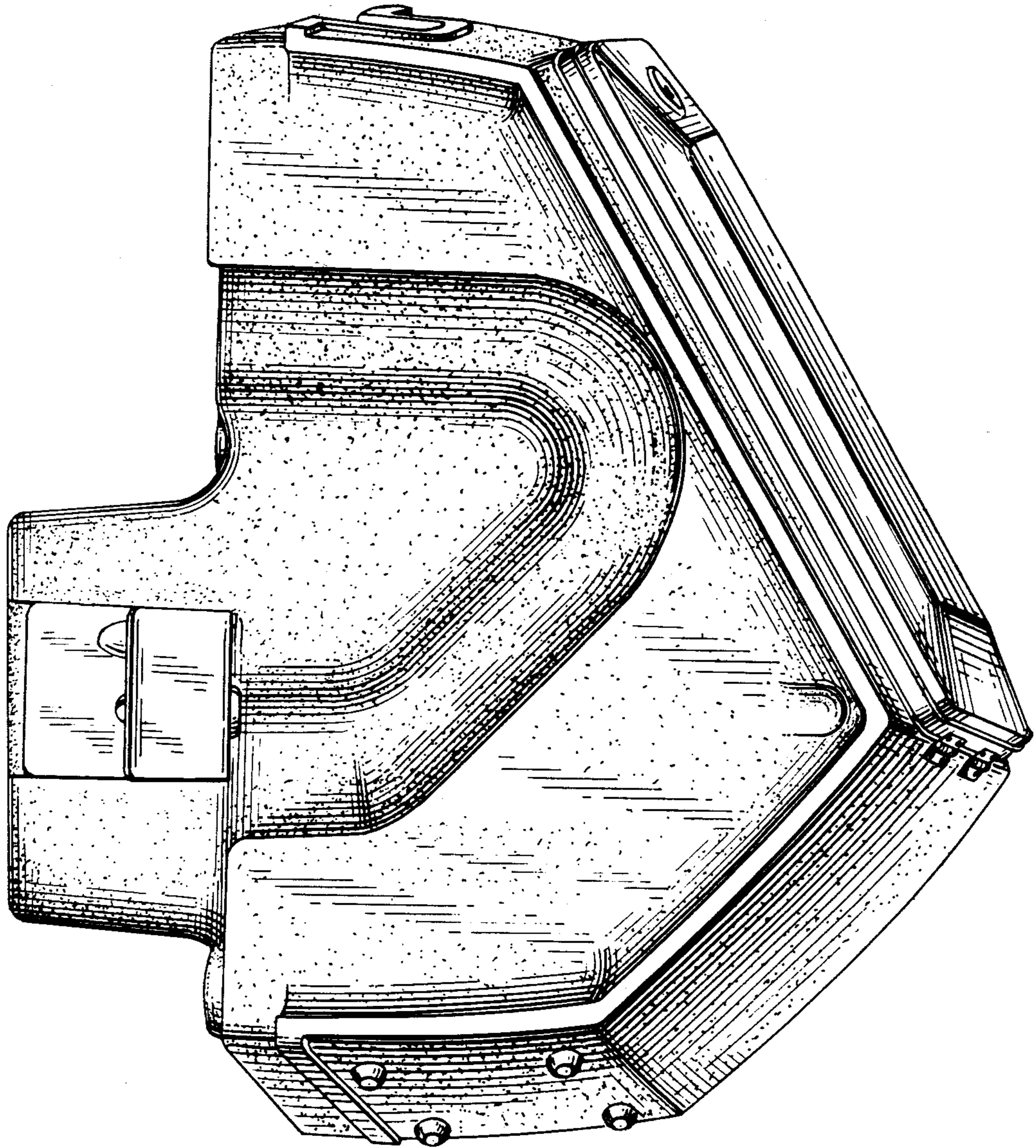
FIG. 1 is a top plan view of a motorcycle article carrier showing the new design;  
FIG. 2 is an elevational view of one end thereof;  
FIG. 3 is a front elevational view thereof;  
FIG. 4 is a bottom plan view thereof;  
FIG. 5 is a rear elevational view thereof;  
FIG. 6 is an elevational view of the other end thereof;  
FIG. 7 is a top plan view of a motorcycle article carrier showing a second embodiment of the new design, the sole difference being in the addition of the trim rails;  
FIG. 8 is an elevational view of one end of FIG. 7;  
FIG. 9 is a front elevational view of FIG. 7;  
FIG. 10 is a bottom plan view of FIG. 7;  
FIG. 11 is a rear elevational view of FIG. 7; and  
FIG. 12 is an elevational view of the other end of FIG. 7.

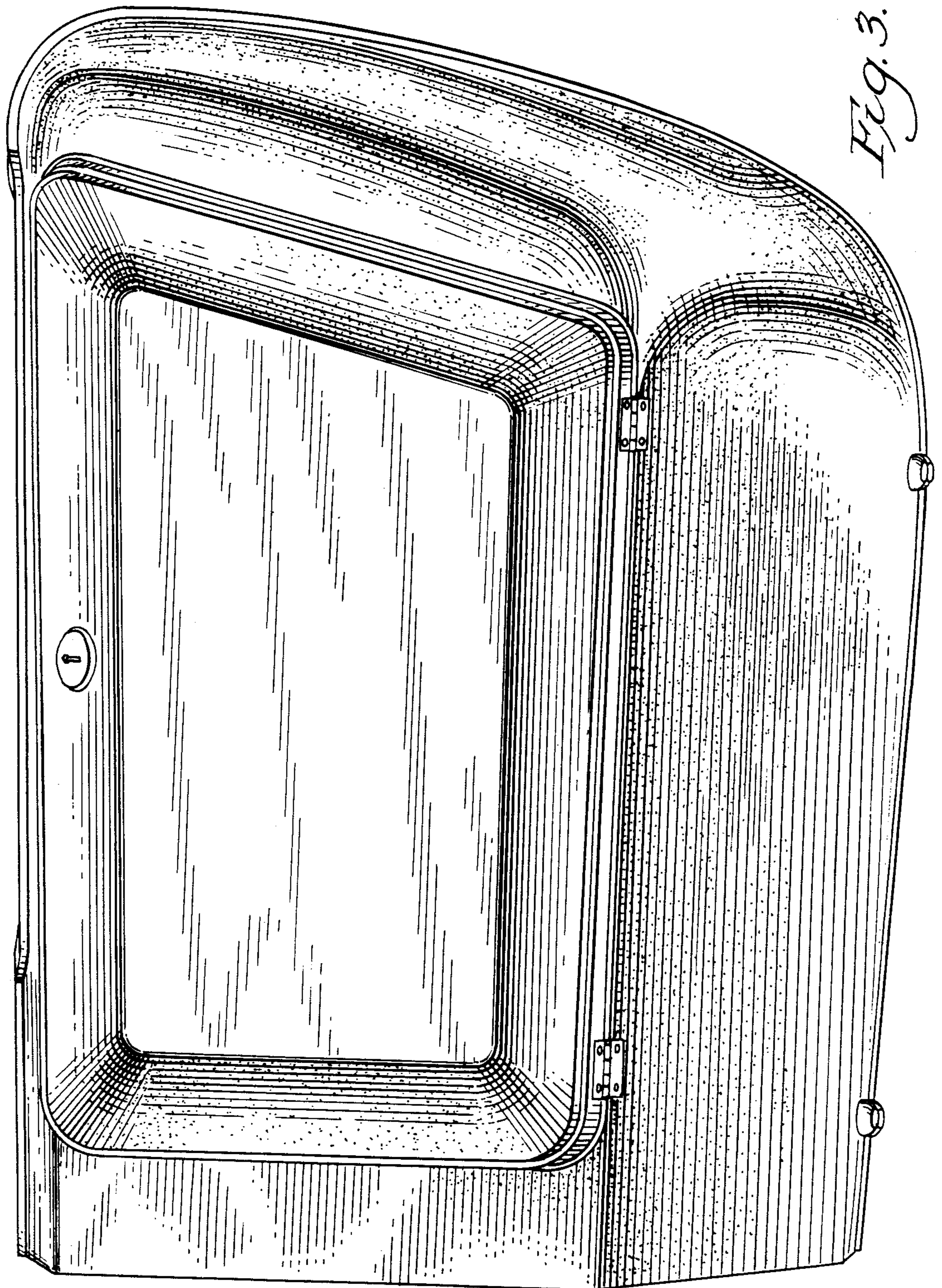




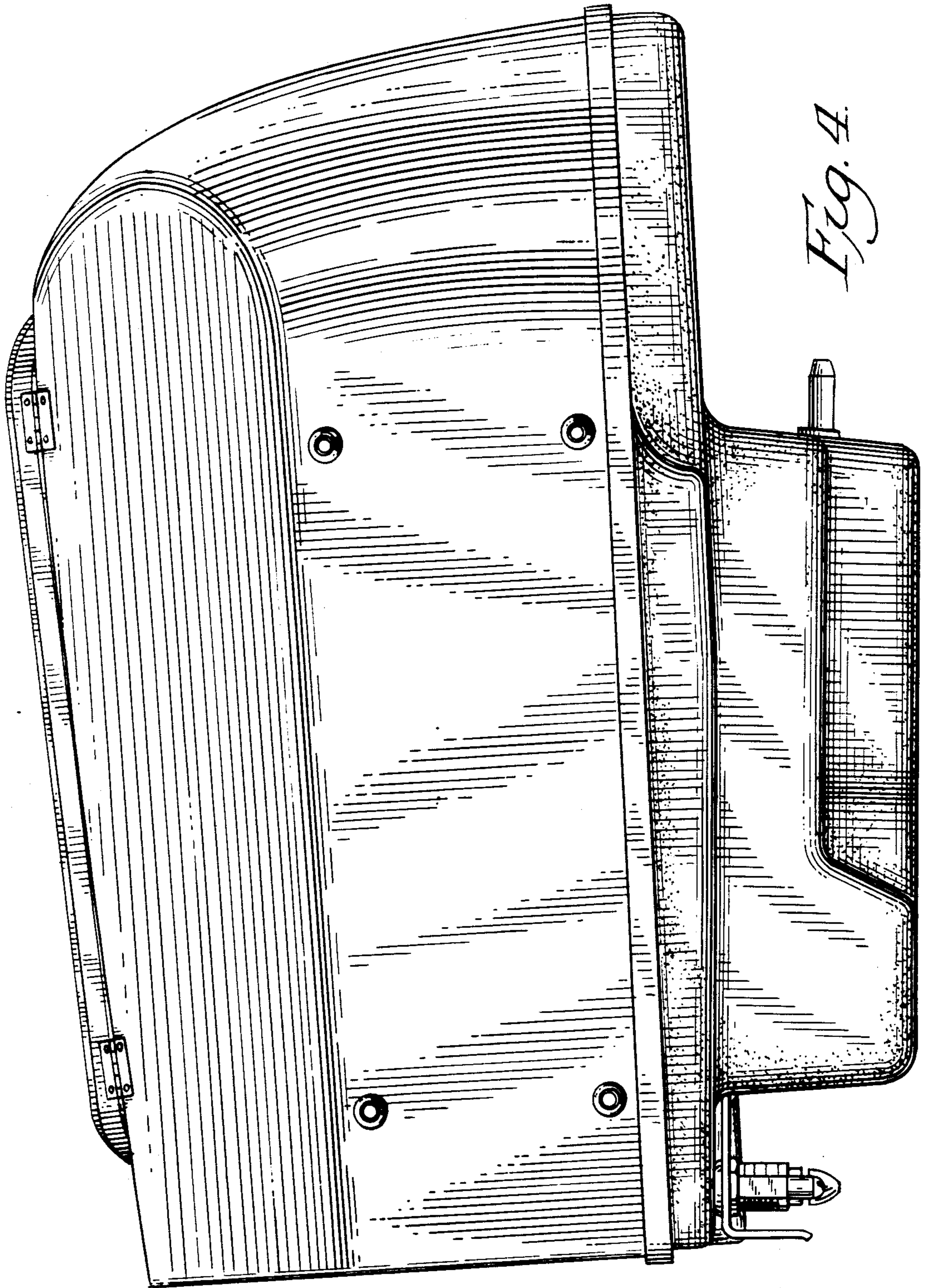
*Fig. 1.*

*Fig. 2.*





*Fig. 3.*



*Fig. 4*

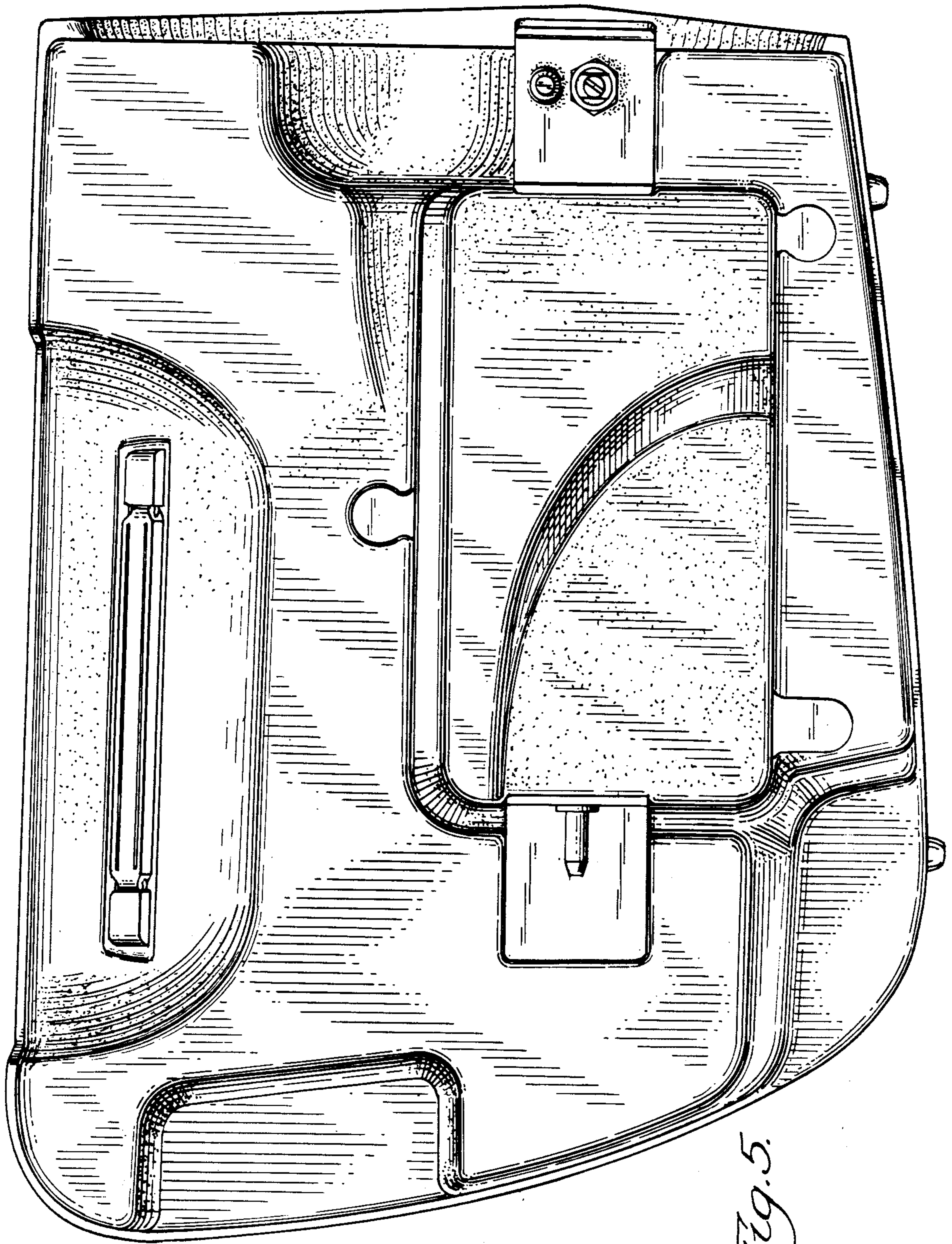
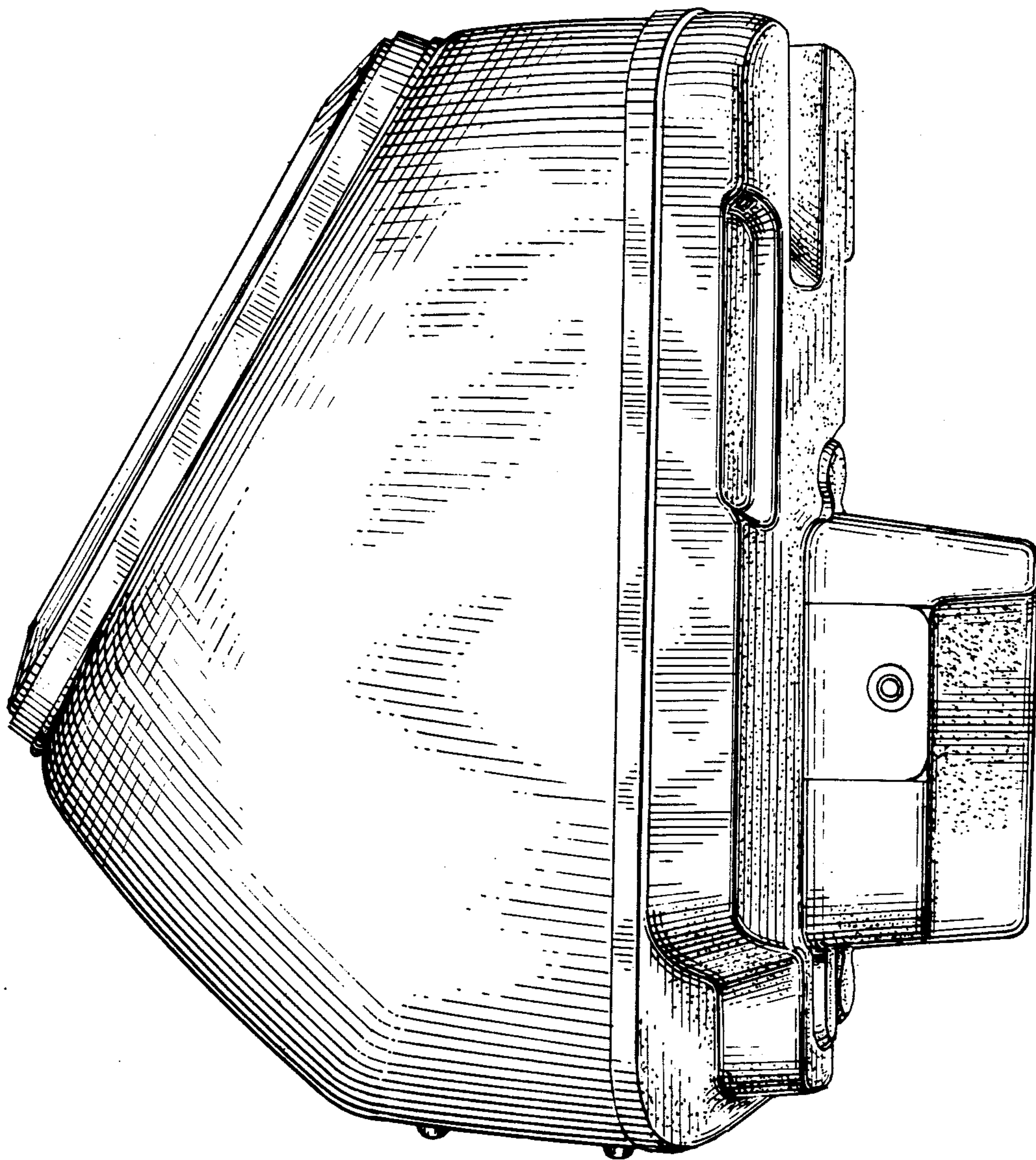
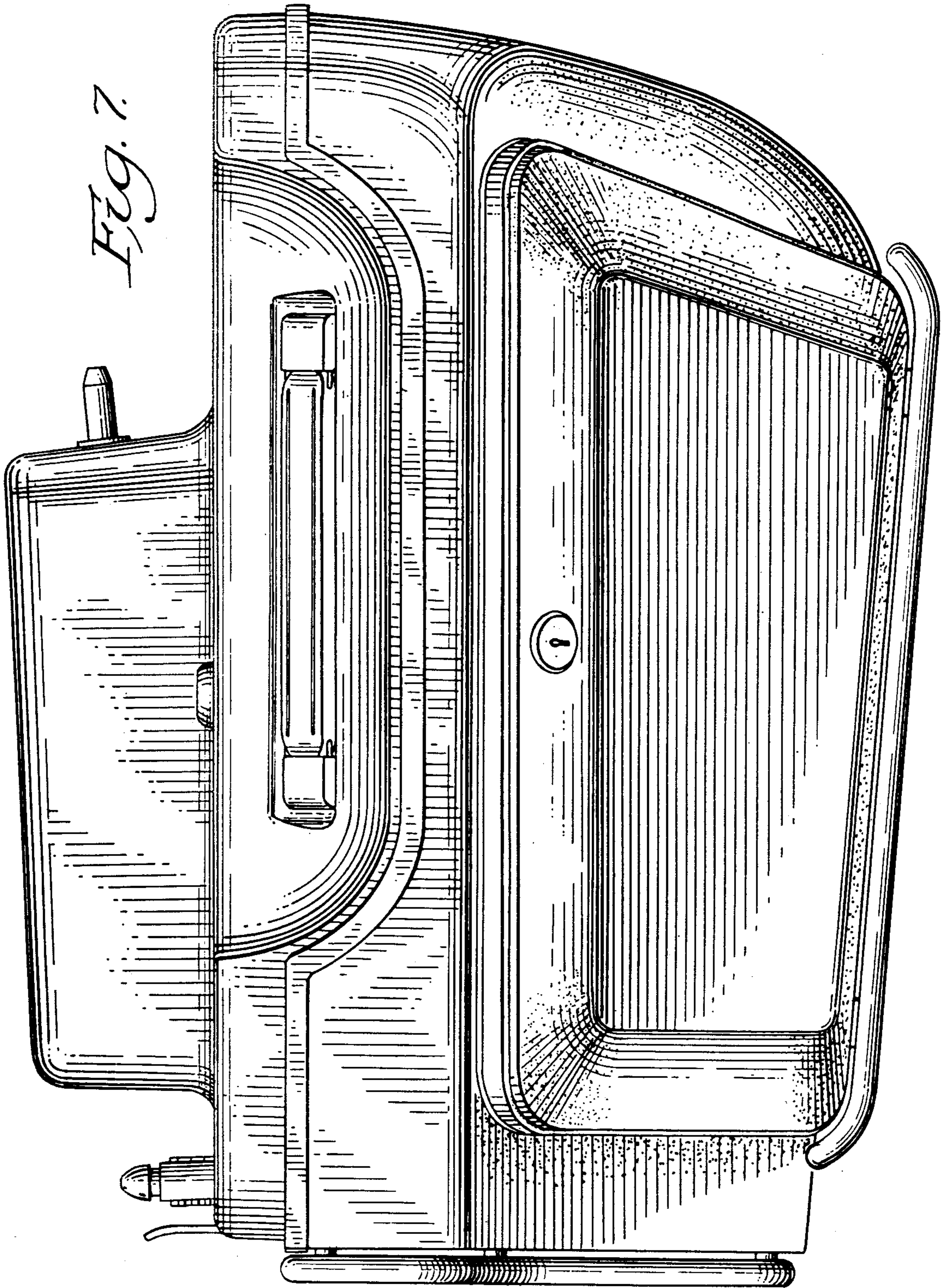


Fig. 5.

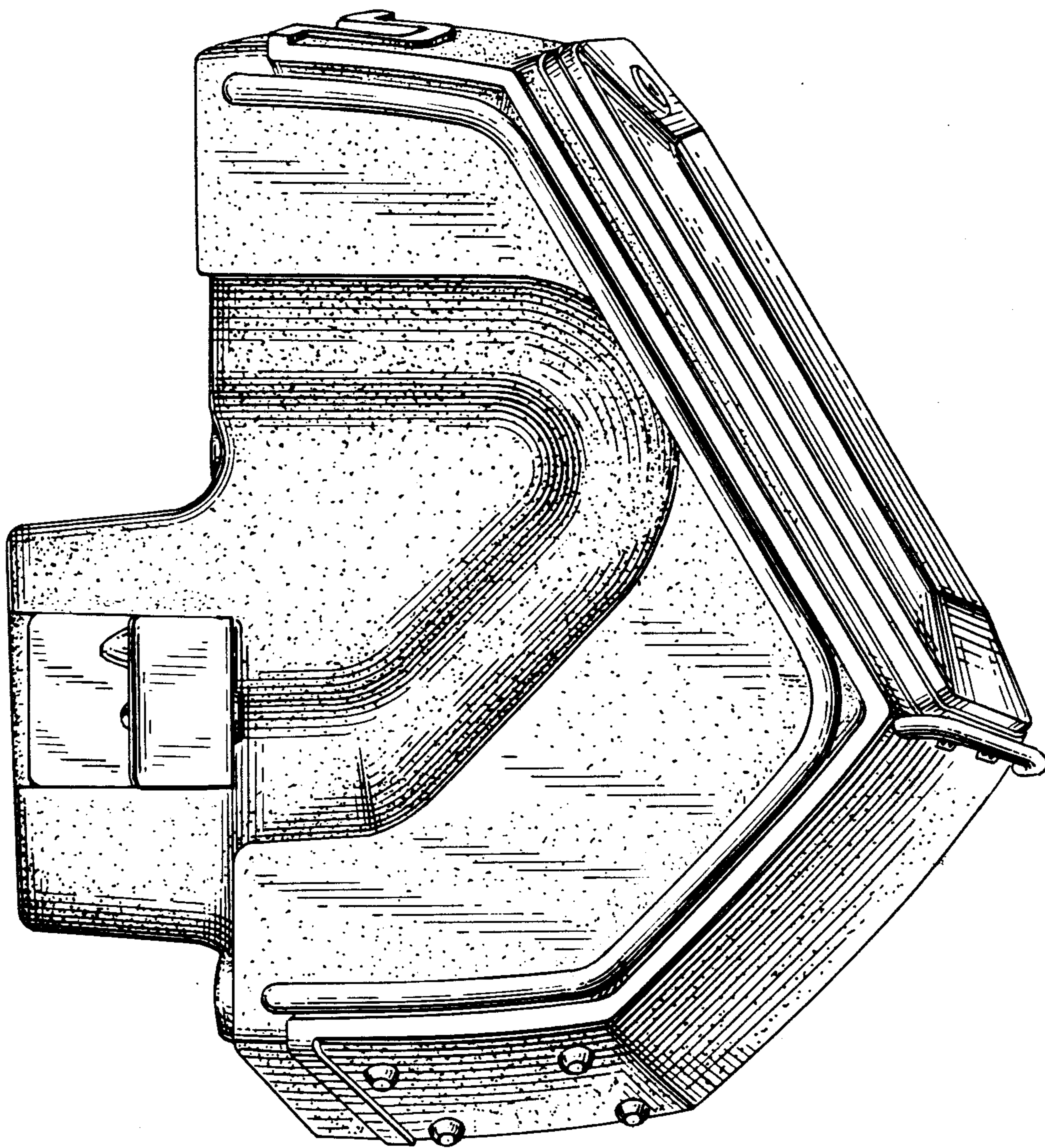
*Fig. 6.*

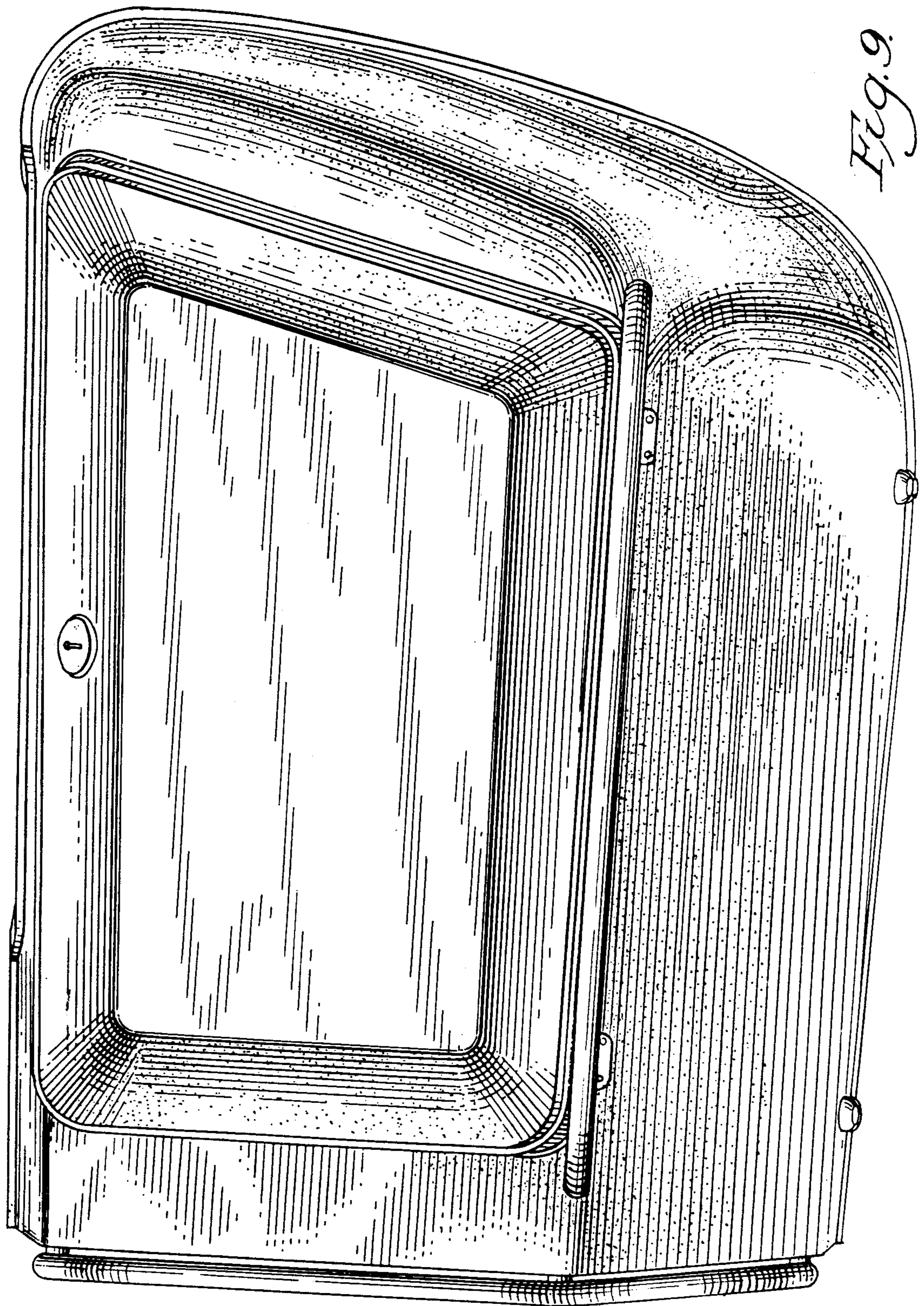




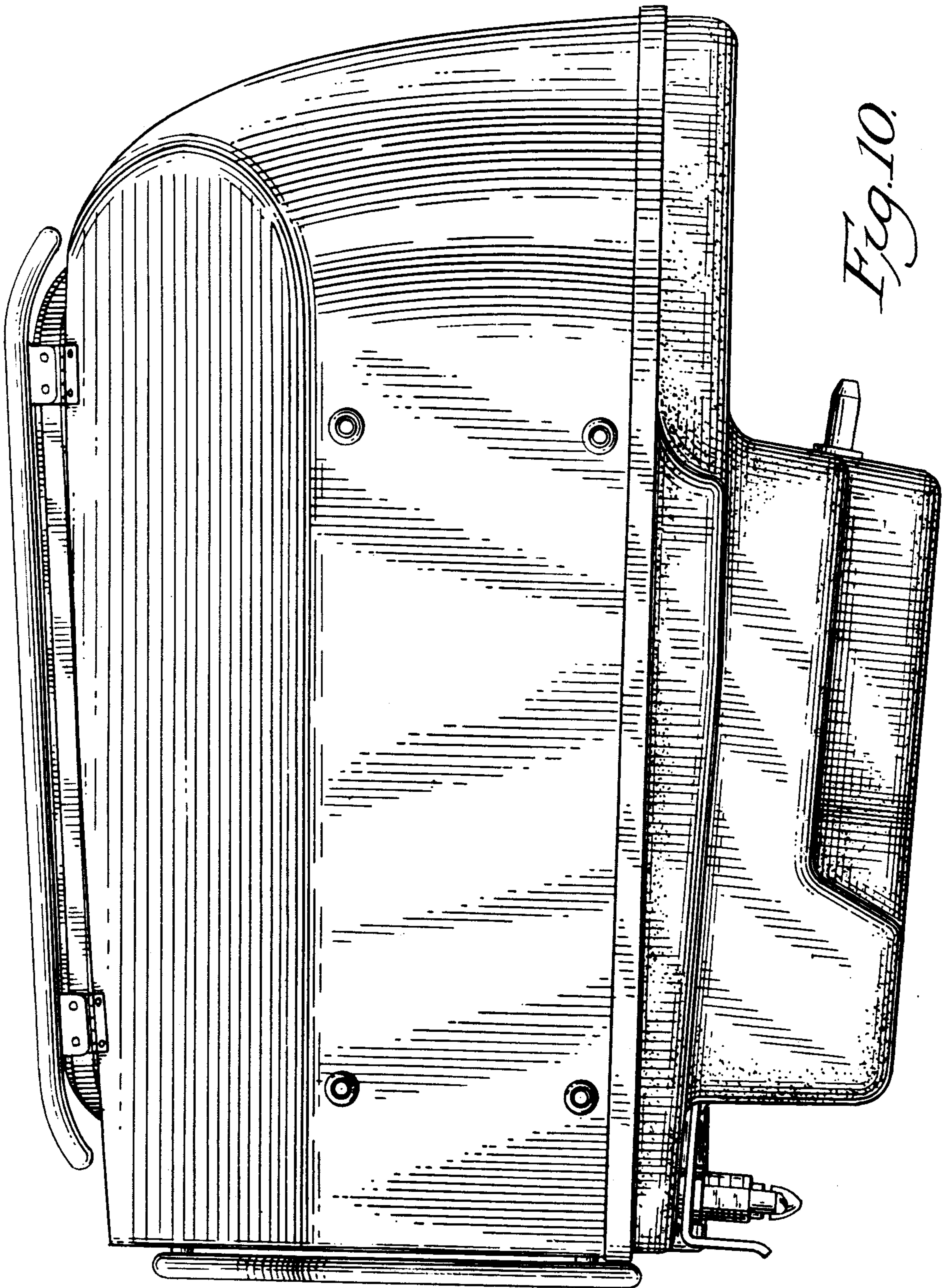


*Fig. 8.*

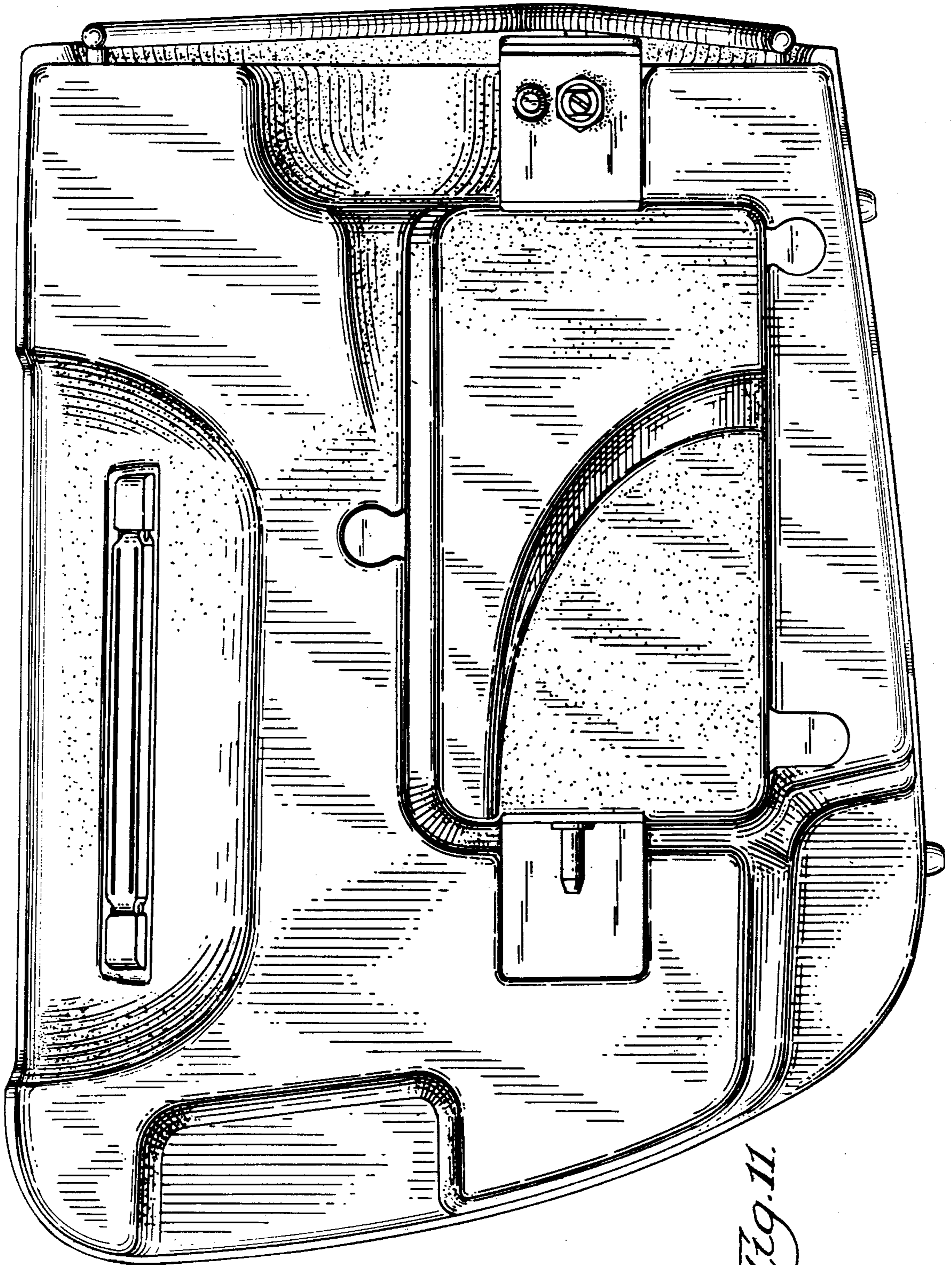




*Fig. 9*



*Fig. 10.*



*Fig. 11.*

*Fig. 12.*

